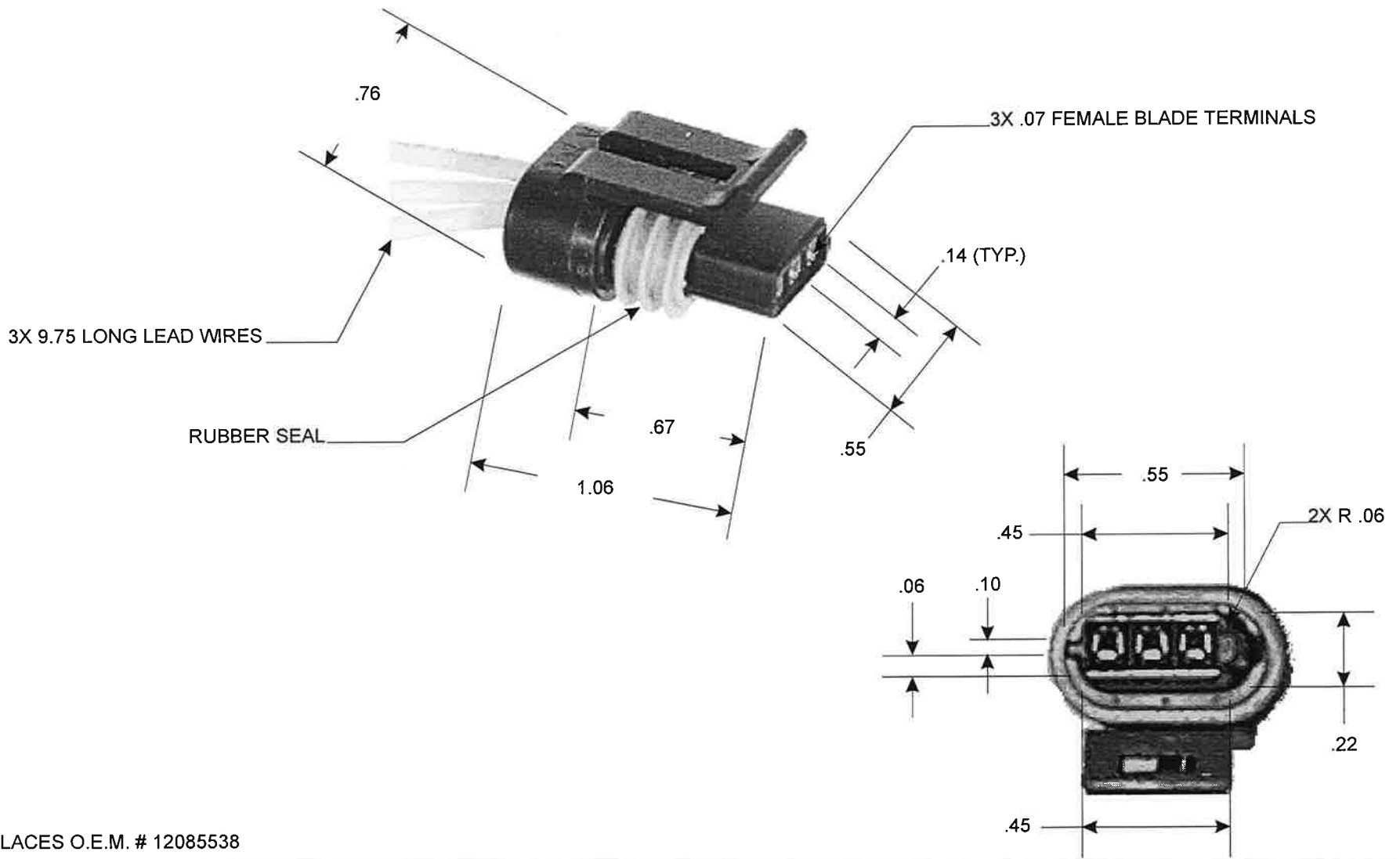


PART NO. 253

TOLERANCES UNLESS SPECIFIED		
TWO PLACE DECIMALS +/- .015	THREE PLACE DECIMALS +/- .005	ANGLES +/- 1°



REPLACES O.E.M. # 12085538

					MATERIAL	SCALE	NTS	<b>WELLS MFG. CORP.</b> FOND DU LAC, WISCONSIN <b>TITLE CAMSHAFT POSITION SENSOR          PIGTAIL ASSEMBLY</b>			
					FINISH	DATE	5-22-97				
						ENGINEER	5-22-97				
						APPROVED	5-22-97				
	RELEASED	20146A	5-22-97	KFJ		PURCH.	<input type="checkbox"/>	PROD.	<input type="checkbox"/>	PART NO.	253
L	REVISION	CN	DATE	BY	CAD REF.	253	MODEL				