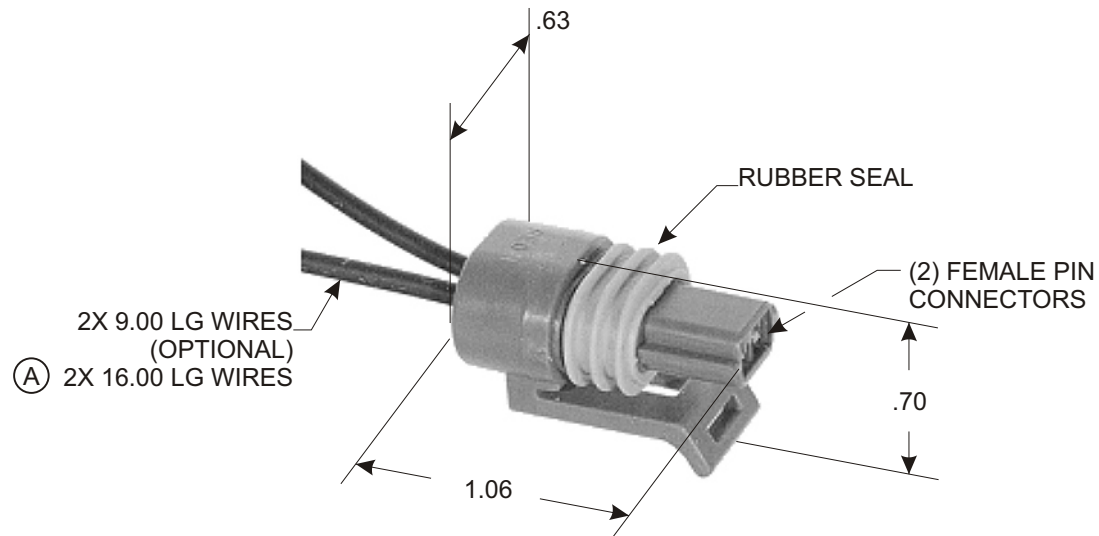



PART NO. 235

TOLERANCES UNLESS SPECIFIED		
TWO PLACE DECIMALS +/- .015	THREE PLACE DECIMALS +/- .005	ANGLES +/- 1°



					MATERIAL	N/A	SCALE	NTS	 WELLS MANUFACTURING L.P. FOND DU LAC, WISCONSIN			
							DATE	12-5-97		DWN. BY	DPH	
							ENGINEER	12-5-97			DAL	
							APPROVED	12-5-97			JSK	
A	ADDED (OPTIONAL) WIRE NOTE	30729	8-8-07	SAM	FINISH	N/A	PURCH.	<input type="checkbox"/>	PROD.	<input type="checkbox"/>	TITLE	PIGTAIL ASSEMBLY
	RELEASED DRAWING	20851	6-24-97	DPH							PART NO.	235
L	REVISION	CN	DATE	BY	CAD REF.	N/A	MODEL					

Looking for dependable replacement air intake parts? Rely on WVE for quality and long-lasting products.