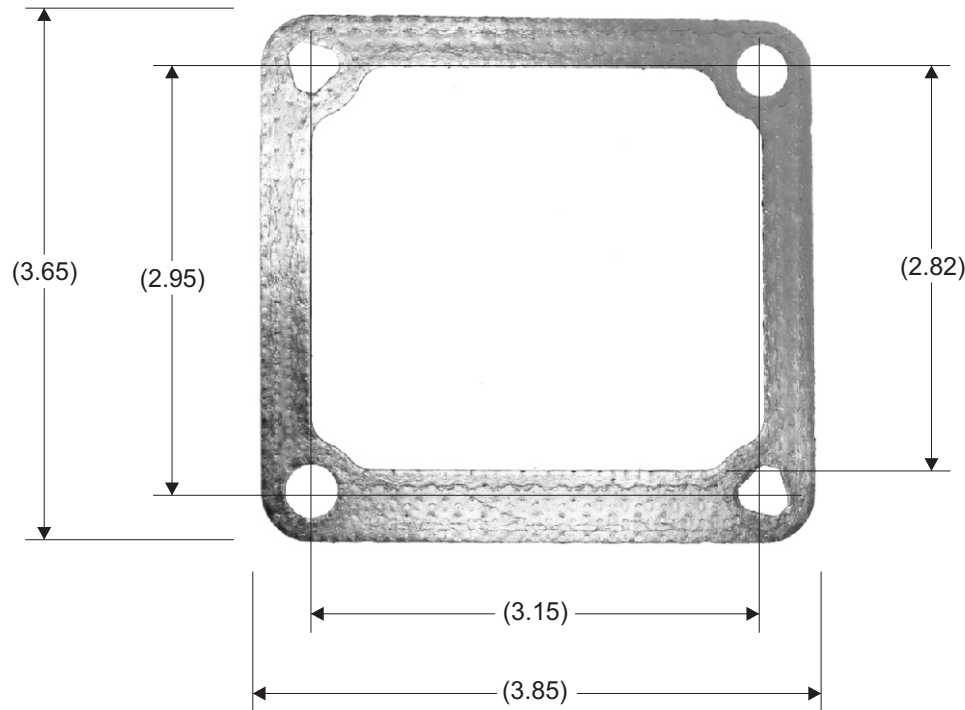


PART NO. EAHG9

TOLERANCES UNLESS SPECIFIED		
TWO PLACE DECIMALS +/- .015	THREE PLACE DECIMALS +/- .005	ANGLES +/- 1°



ISOMETRIC VIEW



REPLACES OE: 05086721AB

					MATERIAL	N/A	SCALE	NTS			
							DATE	1/24/14		DWN. BY	DEK
					FINISH	N/A	ENGINEER	1/24/14		GTO	
							APPROVED	1/24/14		TDS	
	RELEASE DRAWING	37565	1/24/13	DEK			PURCH.	<input type="checkbox"/>	PROD.	<input type="checkbox"/>	
L	REVISION	CN	DATE	BY	CAD REF.	N/A	MODEL				
									TITLE	ENGINE AIR INTAKE HEATER GASKET	
									PART NO.	EAHG9	

Looking for dependable replacement air intake parts? Rely on WVE for quality and long-lasting products.