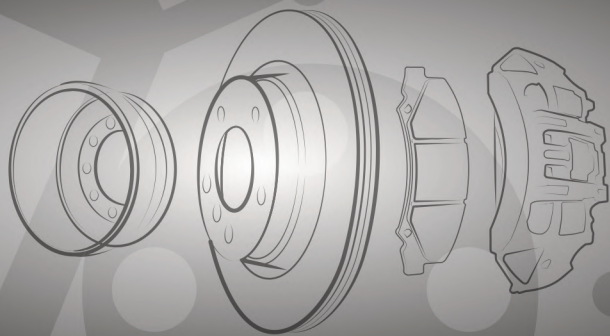




World Brake Resources™

THE *Latest Technology*  
IN BRAKE COMPONENTS

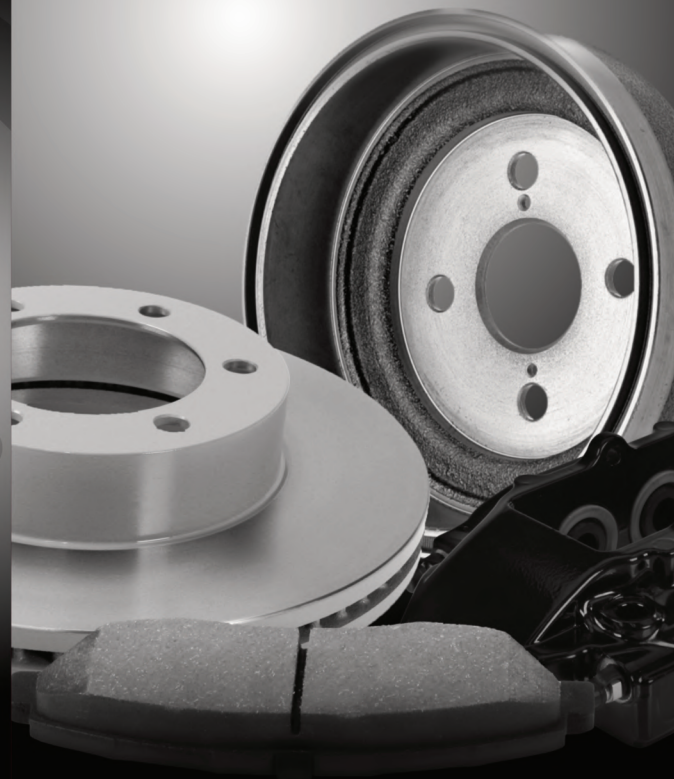


*One Brand for All Your*  
**BRAKE COMPONENTS**

**Warranty Information:** WBR provides a 24 month - 24,000 mile limited warranty against defects in material and workmanship.



World Brake Resources™



THE *Latest Technology*  
IN BRAKE COMPONENTS

ONE BRAND FOR ALL YOUR BRAKE COMPONENTS  
*Asian • Domestic • European*



### Advanced Product Development

With more than 30-years of experience working with OEM brake system manufacturers, World Brake Resources offers an industry leading brake program with regards to safety, quality, performance and affordability.

### Quality Control

WBR products are manufactured with the highest quality control standards, utilizing OEM design and state-of-the-art machinery, ensures long life, exact fit and system compatibility. Our factories are TS16949 and ISO9001 certified and use only the highest quality materials to maintain the integrity of the vehicle's braking system.

### Coverage & Selection

Designed with the professional technician in mind, our comprehensive product offering covers a broad range of Asian, Domestic and European vehicles, making World Brake Resources the one brand for all your brake components.



# Rotors & Drums

# Pads



# Calipers

# Hydraulics

## BRAKE ROTORS with **Run True™** Technology

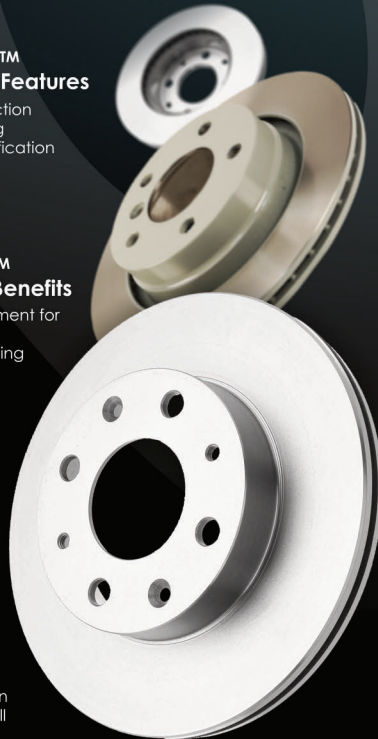
All WBR brake rotors with Run True™ technology are manufactured to match the exact OE fit, OE construction, and precision finishing to ensure quick and easy installation, as well as trouble-free functionality for the life of the rotor.

### Run True™ Features

- ✓ OEM design and construction
- ✓ 100% balanced weighting
- ✓ G3000 gray iron OE specification
- ✓ OEM vane configuration
- ✓ TS16949 certification

### Run True™ Benefits

- ✓ Correct look and exact fitment for trouble-free installation
- ✓ Reduced vibration & warping
- ✓ Ensures smooth braking operation
- ✓ Ultra smooth braking with positive pedal feel
- ✓ Compatible with NAO, Semi-Met and Ceramic pad compounds for reduced noise
- ✓ High metallurgical and machining standard to improve stopping distances
- ✓ Durable Metallurgic-Gray finish to all outward non-friction surfaces
- ✓ Metallurgic-Gray anti-rust protection to help maintain a clean appearance on all open wheels



## BRAKE Drums

WBR drums are manufactured to OE specifications. All WBR drums are precision balanced and utilize ultra-fine machining tolerances to provide minimal vibration and very low levels of lateral run-out.

- ✓ Manufactured to OE specifications
- ✓ Stabilized gray iron castings to (SAE J431/G3000)
- ✓ Precision machined and balanced
- ✓ Equipped with lining inspection holes



## DUAL TECHNOLOGY Brake Pads

World Brake Resources "DUAL TECHNOLOGY" friction compounds provide the proper performance for today's complex vehicle brake systems, as well as the needs and wants of the motorist. WBR brake pads are available in both a DTC Ceramic and a DTM Semi-Metallic.

WBR brake pad backing plates, friction formulations, and shim configurations mitigate wheel dust, brake fade, low speed and high heat squeal, at the same time providing the correct pedal feel and long-life.

Every WBR brake pad comes with a platform specific shim and has a burnished contact surface (scorched) just like OEM pads to ensure easy brake in and proper long-term functionality.



### DUAL TECHNOLOGY DTC Ceramic

- ✓ Ultra-Quiet Formulation
- ✓ Dust Free Compound
- ✓ Advanced Material Platform Specific Shims
- ✓ Scorched for Easy Break In
- ✓ Positive Mold Construction



### DUAL TECHNOLOGY DTM Metallic

- ✓ Superior Stopping Power for High Heat Applications
- ✓ Copper Free - Environmentally Responsible with Reduced Rotor Wear
- ✓ Advanced Material Platform Specific Shims
- ✓ Scorched for Easy Break In
- ✓ Positive Mold Construction
- ✓ Lead & Antimony Free



## PREMIUM Caliper & OptiSelect PREMIUM CALIPER

All WBR calipers are remanufactured in the United States to match the exact look and function of the original equipment unit. All WBR calipers come 'friction ready' allowing you to select the friction compound that best suits your customer's needs. Each WBR caliper is fitted with new seals, o-rings, and boots, as well as includes all new mounting hardware for a quick and professional installation.

### PREMIUM Caliper Features

- ✓ Corrosion inhibiting protection
- ✓ New key mounting hardware
- ✓ New seals, o-rings and boots
- ✓ Natural exterior finish



### PREMIUM Caliper Benefits

- ✓ Long life and function even in severe climates
- ✓ Quick, easy, cost effective & perfect fit installation
- ✓ Ensures long life and maximum performance
- ✓ Maintains the correct OE look

### OptiSelect PREMIUM CALIPER Features

- ✓ The caliper finish is powder coated or Zinc Dichromate plated to match the OEM unit
- ✓ Includes mounting brackets and all new mounting hardware
- ✓ All pistons are supplied new
- ✓ Dust seals, o-rings, and boots supplied new
- ✓ OptiSelect calipers utilize the new Quiet Clip™ style abutment clips



### OptiSelect PREMIUM CALIPER Benefits

- ✓ Maintains the correct OE look and provides maximum protection even in severe climates
- ✓ Quick, easy, cost effective & perfect fit installation
- ✓ Ensures smooth braking operation
- ✓ Ensures long life and maximum performance
- ✓ Ensures proper pad fitment and reduced vibration related noise

## HYDRAULICS

WBR premium hydraulic brake & clutch cylinders are manufactured on state-of-the-art CNC machines, matching the exact OEM design.

- ✓ TUV (Germany) & TS 16949 (OEM) Certified
- ✓ Exact OEM Design & Construction
- ✓ State of the art CNC machinery
- ✓ OEM EPDM Rubber - 100% compatible with all types of brake fluid
- ✓ Most units have reservoirs, sensors/switched and floats



## BRAKE Hoses

WBR brakes hoses are manufactured of OEM required EPDM rubber and precision designed fittings as used on OE brakes hoses for Asian, Domestic and European vehicles.

- ✓ Exact OEM Design & Construction
- ✓ Certifications include TS 16949 (OEM) ISO 9001, and DOT
- ✓ Every hose tested to 3000psi
- ✓ OEM EPDM Rubber - 100% compatible with all types of brake fluid



## BRAKE Hardware Kit

- ✓ Reduced brake noise, comebacks and unsatisfied customers
- ✓ Extends the life of a brake job
- ✓ Improved fuel mileage
- ✓ Restores brakes to like new performance
- ✓ Quiet-Clip Technology on select applications

