



INSTALLATION INSTRUCTIONS

Model 820-825 GIANT ROOF MOUNT AIR HORNS

Your choice of the Wolo's Giant Roof Mount Air Horn is the perfect choice to compliment your vehicle. Wolo's horns are manufactured with the finest of material. Every horn is inspected and tested before being packaged. Precision workmanship and quality components will assure years of dependable service. If you need help installing your new Wolo horn or have any questions about the product.

Air Horn Installation

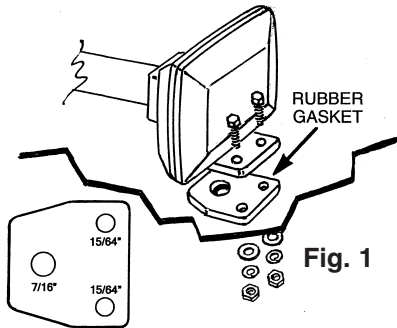


Fig. 1

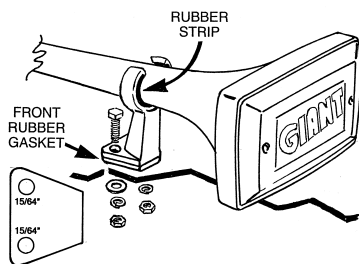


Fig. 2

1. Locate the desired area you wish to mount the Giant air horn. For best results, the front of the horn should be unobstructed so that the horn's sound can project straight ahead. Use the horn's gasket as a template, mark hole locations and drill to size. See fig. 1.
2. Secure the horn to the vehicle using the hardware provided. Tighten screws evenly to prevent damage to the horn. See fig. 2. **IMPORTANT:** Be sure to use the rubber gasket to protect against water leaks.
3. Place the rubber-molding strip into the front trumpet support bracket. Position the bracket around the narrow part of the trumpet. Push the bracket forward until it is tight. Use the bracket as a template, mark hole locations and drill to size. See fig. 3.
4. Secure the front trumpet support bracket to the vehicle using the hardware provided. Tighten screws evenly. **IMPORTANT:** Be sure to use the rubber gasket to protect against water leaks.
5. Secure the flexible inlet hose into the base of the horn. Do not remove the Teflon tape on the threaded end of the hose. The tape is used to help prevent air leaks. **CAUTION:** Avoid making any kinks or sharp bends in the flexible inlet hose that might reduce the airflow to the horn, such could alter the sound of the horn.

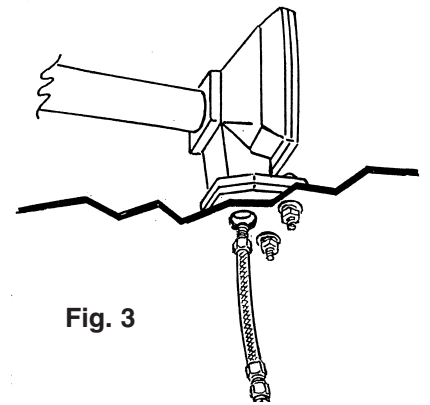


Fig. 3

6. Connect the other end of the flexible inlet hose to the valve that will provide air from the tank on-board system