

Warranty

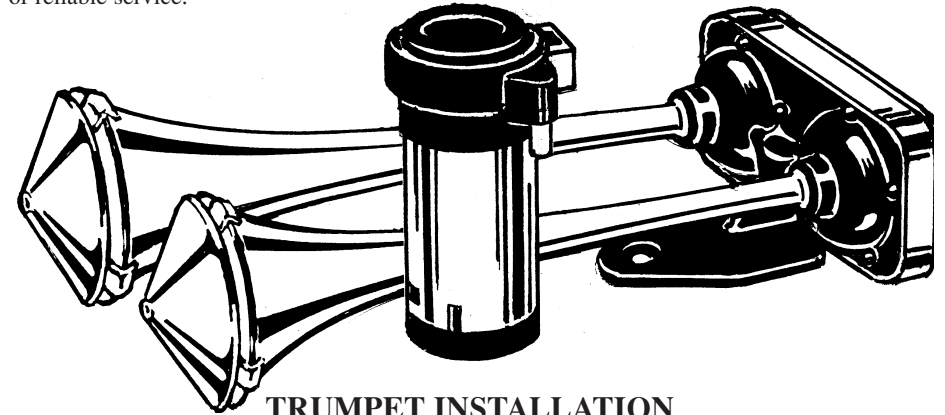
Wolo Manufacturing Corporation ("Wolo") warrants to the original purchaser, for three months from the date of purchase, that this product is free from defects in workmanship and materials. If there is such a proven defect, Wolo, at its option, will either repair or replace the item free of charge, if it is returned to Wolo within three months from the date of purchase together with proof of purchase as described below. Wolo reserves the right to inspect any defect prior to settling any warranty claim by repair or replacement. This warranty is limited as above provided and Wolo will not be responsible for fire or other casualty or accident, due to neglect, abuse, abnormal use, modifications, faulty installation of this product, or natural causes.

ANY EXPRESSED WARRANTY NOT PROVIDED HEREIN IS EXCLUDED AND DISCLAIMED. THE IMPLIED WARRANTIES OF MERCHANTABILITY AND OF FITNESS FOR A PARTICULAR PURPOSE ARE EXPRESSLY LIMITED TO A TERM OF THREE (3) MONTHS. UNDER NO CIRCUMSTANCES SHALL WOLO BE LIABLE TO PURCHASER OR ANY OTHER PERSON FOR ANY SPECIAL OR CONSEQUENTIAL DAMAGES, WHETHER ARISING OUT OF BREACH OF WARRANTY OR OTHERWISE.



INSTALLATION INSTRUCTIONS POWERHOUSE DUAL TRUMPET HORN Model 418

Your purchase of a POWERHOUSE dual trumpet horn is the perfect choice to complement your vehicle. Made with long lasting weather resistant materials and skillfully crafted to provide years of reliable service.



TRUMPET INSTALLATION

1. Locate the desired area you wish to mount trumpets (NOTE: COMPRESSOR HAS TO BE MOUNTED CLOSE TO TRUMPETS IN A DRY INTERIOR LOCATION).
2. Use the horn gasket as a template, mark hole locations and drill to size. See Fig. 1.
3. Mount horn as shown on Fig. 2. NOTE: TIGHTEN EVENLY AFTER THE FRONT BOLT AND FLEXIBLE INLET HOSE HAVE BEEN INSTALLED.

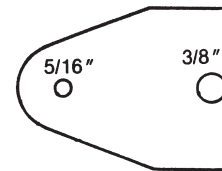


Fig. 1

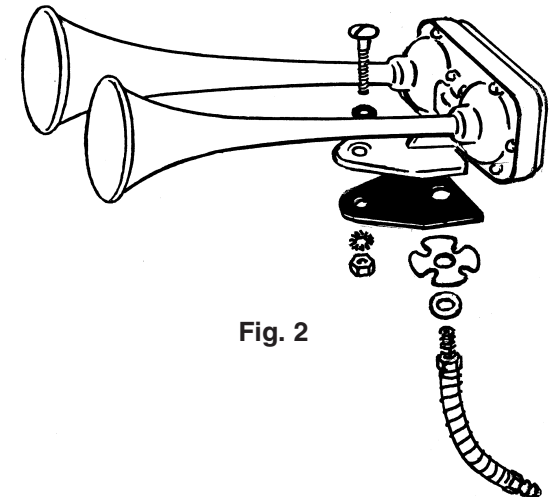


Fig. 2

COMPRESSOR INSTALLATION

4. For best performance mount the compressor close to the trumpets. The compressor is not water resistant, it is important that it be mounted inside the vehicle in an area that is dry.
5. The compressor should be mounted vertically, with its air outlet facing down.
6. Drill a 5/16 inch mounting hole. Using the hardware shown in Fig. 3, secure compressor.

CAUTION: Plastic tubing between compressor and trumpets should not have sharp bends or kinks which might stop or reduce air flow, resulting in reduced sound output. Fig. 4.

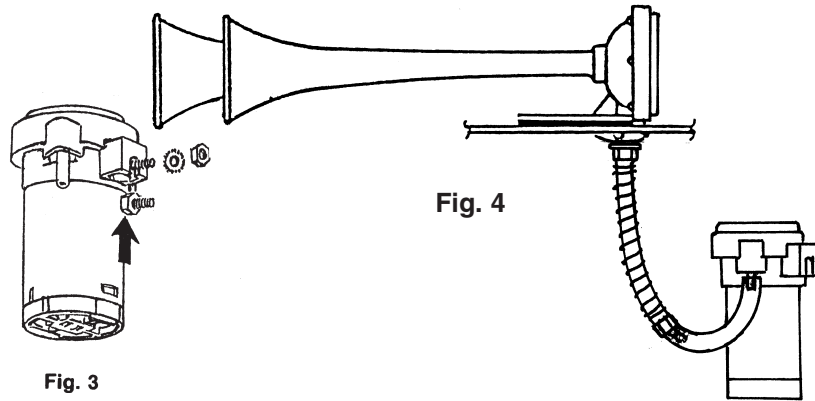


Fig. 4

Fig. 3

7. Electrical Connections – Using Vehicle's Factory Horn Switch

IMPORTANT: You are not required to use the relay supplied with the kit because the vehicle factory system already has a relay.

- A. For two (2) wire systems: If a vehicle's factory horn has two (2) terminals, simply transfer the wires to the compressor's terminals.

IMPORTANT: when testing the horns, if compressor motor turns on but the horn does not sound, reverse the wires connected at the bottom of the compressor.
- B. For one (1) wire systems: If a vehicle's factory horn has one (1) terminal simply transfer wire to the compressor's positive (+) terminal.
- C. Using a 16-gauge wire, the compressors' negative terminal is connected to any metal body bolt. A ground connection should be free of rust and paint.

8. Electrical Connections for a New Horn Button Switch:

Install the relay in a dry location with the terminals facing downward near the compressor. Refer to Figure 5 for wiring

- D. Connect relay terminal 87 to the positive terminal at the bottom of the compressor. Use 16-gauge wire or heavier.
- E. Connect relay terminal 85 to the horn switch terminal. The other horn switch terminal is connected to ground, (body of vehicle). An 18-gauge wire is suggested for this connection.
- F. Connect relay terminals 30/86 to positive (+) 12-volt battery, alternator or accessories. Use 16-gauge or heavier wire. A 20-ampere fuse should be installed as shown in Figure 5.

G. Recap of Terminal Connections for New Horn Switch:

Terminals: 30/86: the two terminals are connected to 12 volt positive (+) using a fuse.

Terminal: 85 is connected to the horn switch. The other terminal of the horn switch is connected to ground.

Terminal: 87 is connected to the positive (+) terminal of the compressor.

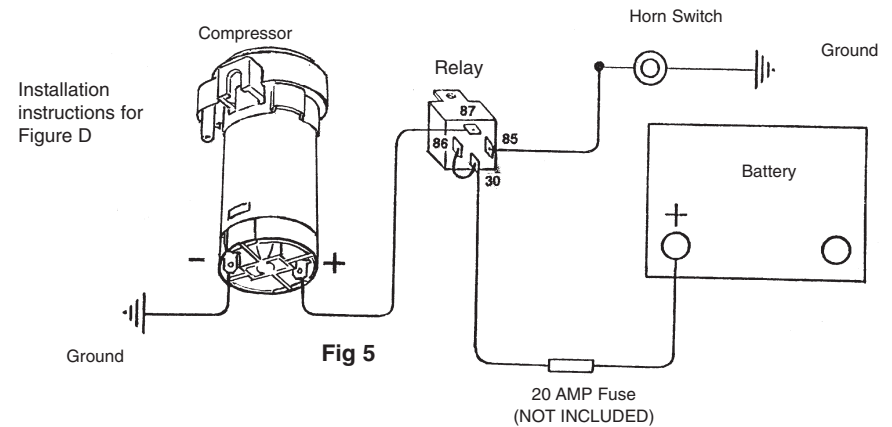


Fig 5

Electrical Connections for a New Horn Button Switch

WEATHER PROTECTION COVERS

9. It is recommended that you always use the protection covers. They will prevent damage to the trumpet's diaphragm from rain, bugs, dirt, etc. Assemble Horn Protection Covers as shown in Fig. 6 below. Do not tighten screws, brackets are placed into position on the front of each trumpet and then tighten screws.

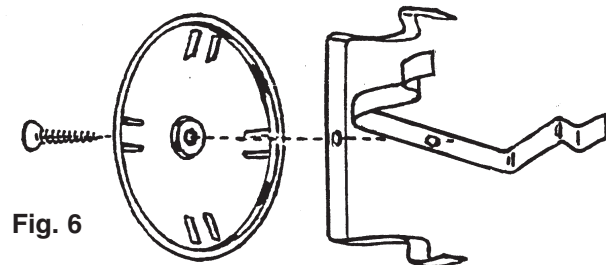


Fig. 6