



MODEL 308-2T

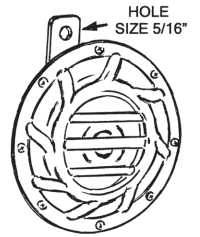
SONIC BLAST™

Installation Instructions

MOUNTING FIG. #1

1. Remove the factory horn, and install your new **SONIC BLAST** horn in the same position or a preferred location.
IMPORTANT: The horn's front grill should be slightly angled facing downward to prevent water and dirt from entering into the horn.
2. Drill mounting hole to size 5/16" if required.
3. Secure each horn to the vehicle using the hardware provided. **IMPORTANT:** To get the proper sound, only use the mounting bracket provided with the horn. (See Fig. 1)

Fig. 1



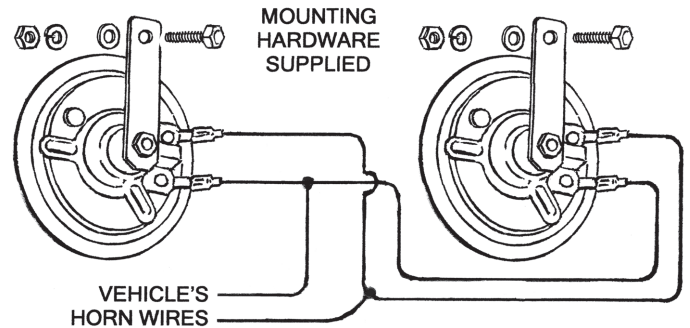
IMPORTANT: For one (1) terminal factory horn system, the grounding jumper wire provided needs to be secured under the mounting bolt before securing the horn to a metal body ground surface. See Fig. 3.

WIRING:

TWO (2) TERMINAL WIRING FIG. #2

4. For vehicles where the factory 12-volt horn wires connect to two (2) horn terminals, simply transfer the factory horn wires to each new Wolo horn. It doesn't make a difference which horn terminals are used on your new Wolo horn when transferring the wires from your factory horn. **IMPORTANT:** Always make sure that there is a 10-amp fuse used in the horn circuit to protect the vehicle. If the wire terminals that were connected to your vehicle's factory horn are not the same as your new Wolo horn, provided in the kit are 1/4" female push-on insulated terminals. The installation is complete and the horn is ready to be used.

Fig. 2



ONE (1) TERMINAL WIRING FIG. #3

5. For vehicles where the factory 12-volt horn wire connects to only one (1) horn terminal. Transfer the factory horn wire to one terminal of each new Wolo horn. It doesn't make a difference which horn terminal is used when transferring the wire from your factory horn.
6. Using the grounding wires supplied, place the loop end under the mounting bolt of the horn and firmly tighten. Make sure the horn's mounting bracket is secured to a metal body surface that is clean of paint and rust.
7. Attach the ground wire's female 1/4" push-on terminal to the horn's unused terminal, repeat process for the other new Wolo horn.
IMPORTANT: Always make sure that there is a 10-amp fuse used in the horn circuit to protect the vehicle. If the wire terminal that was connected to your vehicle's factory horn is not the same as your new Wolo horn, provided in the kit are 1/4" female push-on insulated terminals. The installation is complete and the horn is ready to be used.

Fig. 3

