



SUPER HORNS

Installation Instructions

Vehicles with (2) two horn wires

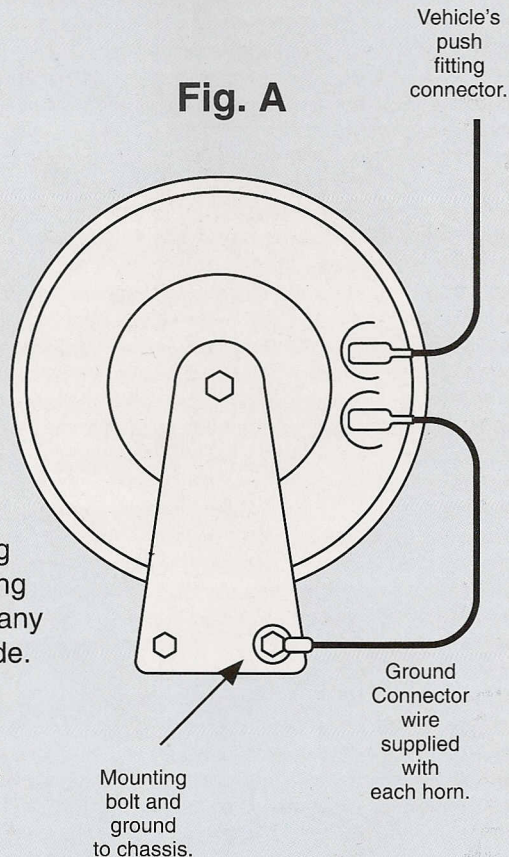
1. Securely fasten the horns onto the vehicle using the mounting brackets supplied.
2. On vehicles that use (2) horn wires, simply transfer the push-on wire connectors to the Super Horns. That completes the installation and the horns are ready to use.

Vehicles with (1) one horn wire

(Reference Fig. A)

1. On vehicles using (1) one horn wire, one terminal of the Super Horn must be grounded. Using the loop end of the grounding wires supplied, place a loop under the mounting bolt on each horn. Tighten firmly to penetrate any paint so that a good ground connection is made.
2. Install the vehicle's original horn wires onto one terminal of each Super Horn.
3. Attach the push-on connectors, located on the ground wires, to the vacant terminal on each Super Horn. The installation is complete.

Fig. A



Enjoy your new Super Horns