



INSTALLATION INSTRUCTIONS FOR BRIGHT STAR STROBE WARNING LIGHT Permanent Mount Model 3350P-A, 3355P-B, 3360P-R, 3365P-C & 3370P-G

Your purchase of a Wolo warning light is the perfect choice to compliment your vehicle. Our warning lights are manufactured with the finest of materials and each light is tested before it is packaged. Quality workmanship and components are Wolo's assurance of a product that will provide years of dependable service.

Before installation of this warning light is attempted, it is important to read these instructions completely. The lives of people are dependent on proper installation. The person installing this light must have advanced knowledge of the proper method of installing warning lights to a vehicle, as well as, knowledge of the vehicle's electrical system. Again, read this manual completely and note any messages marked "IMPORTANT" or "WARNING". A safe installation will prevent serious injury and/or damage to the vehicle.

IMPORTANT: Installation of this warning light may require drilling to the vehicle. The installer must carefully inspect both sides of any location that will be drilled to ensure that there are no components, wires and/or any vehicle parts that could be damaged when drilling.

IMPORTANT: Always de-burr any drilled holes to ensure that there are no sharp edges. Install the plastic grommet into the hole that the wires are being routed through. Always refer to the vehicle's shop manual for the deployment location of the air bags. Never install the on/off switch, wires and/or components in the deployment area of any air bag. Improper installation could reduce the effectiveness of the vehicle's air bag system and/or project an object that could cause serious personal injury or death to the driver or passenger. The user/installer assumes all responsibility to properly assess a safe mounting location for the switch to ensure ultimate safety to the driver and passengers inside the vehicle.

WARNING: This warning light contains a high intensity strobe bulb. To prevent permanent eye damage, DO NOT stare into the light beam at close range.

MOUNTING WITH SCREWS (FIG. A & B)

1. Select the location you wish to mount the warning light. For best results, the installer should make sure the lens is unobstructed so that the light can be seen at 360 degrees.
2. Using the holes in the warning light's base, mark the three (3) hole locations for mounting the light. Remove the warning light from the mounting location and drill holes using a 3/16" drill bit.
NOTE: There are two methods to route the warning light's wires:
2A. Route the wires through the notch in the base of the light.
2B. Route the wires through a hole directly under the base of the warning light.
3. If needed, drill a hole for the wires, using a 5/16" drill bit. De-burr the drilled hole and insert the provided plastic grommet into the hole. The plastic grommet will ensure that there are no sharp edges around the hole that could damage the wires. **IMPORTANT:** If waterproofing is required, use silicone sealant around wires and plastic grommet.
4. Secure the base of the warning light to the vehicle using only the hardware provided. To prevent vibration and water leaks, use the metal ring and gasket provided. Position the ring and gasket so the holes in the ring align with the base and the rubber gasket.

FIG. A

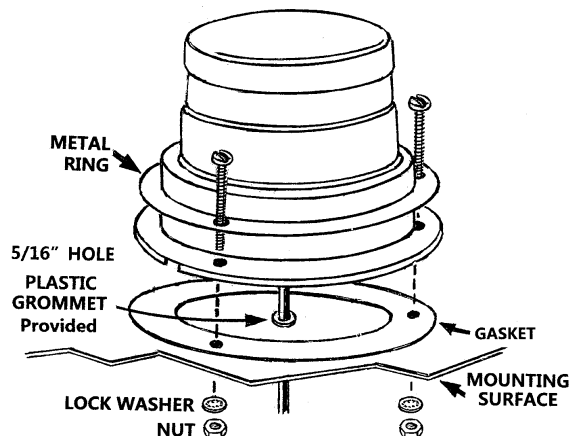
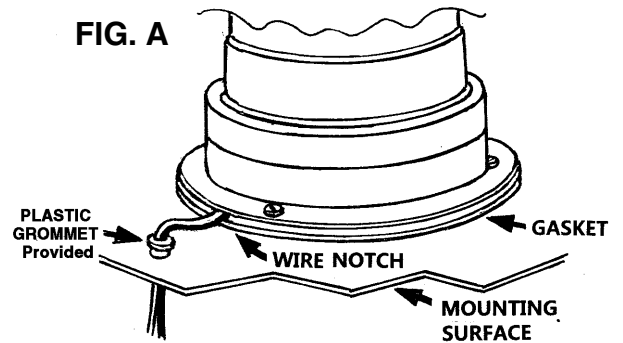


FIG. B

WIRING WARNING LIGHT (Fig. C)

5. **RED WIRE:** Is connected to 12-110 volts (+) positive. Using the inline fuse provided, connect the red wire to the vehicle's fuse block or (+) positive battery post. Remove fuse from the inline fuse holder until all wiring has been completed.

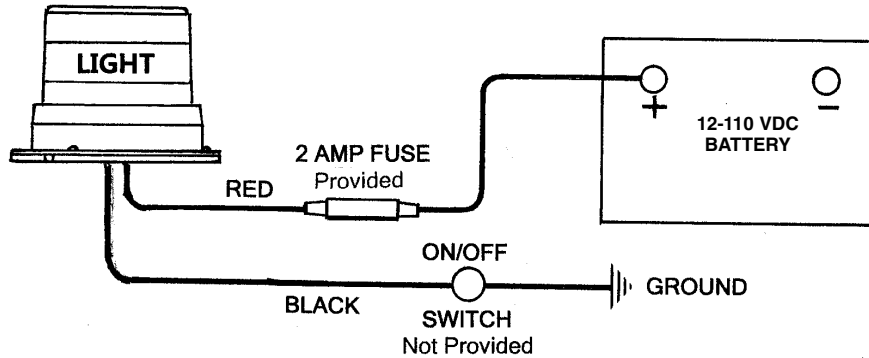


FIG. C

6. **BLACK WIRE:** Is connected to the on/off switch (not provided).
7. Connect the switch's other terminal or wire to ground, by placing the wire under the battery's negative (-) post or any metal body bolt that is clean of paint and rust.
8. Insert the fuse into the fuse holder and position the switch to ON. The light will turn on and operate.

WARNING: This warning light produces high voltage, which is stored in the electronic circuit and could cause property damage, serious injury or death to you or others. Always disconnect the power to the light and wait at least five minutes before attempting to perform any service to the light.