



INSTRUCTIONS FOR USE

SEE-ME™ LED WARNING LIGHT

MODELS 3035MP-A, 3036MP-B, 3037MP-R

Your choice of a Wolo warning light will complement your vehicle. Wolo's products are manufactured with the finest materials. Each light is tested to meet our high standards before it is packaged, to assure you receive a perfect warning light. Our quality workmanship and components are Wolo's assurance of a product that will give years of dependable service.

MAGNET MOUNTING:

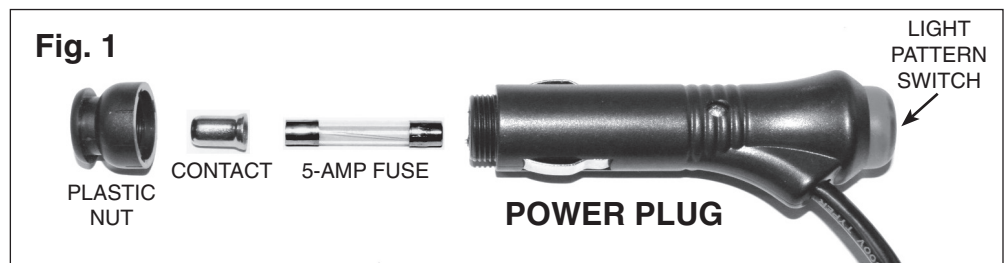
IMPORTANT: Vehicle roof construction varies for most vehicles as well as driving conditions. The vehicle should never be driven with this warning light magnetically mounted. It is possible that the light could dislodge off the mounting surface and cause damage, injury or death. Ignoring this warning shall be the sole responsibility of the user and or vehicle owner.

IMPORTANT: The magnets' holding power to the mounting surface is dependent upon the following: flatness, thickness, condition and finish of the mounting surface. For maximum magnet strength, follow these recommendations:

1. The vehicle's mounting surface should be kept clean and free of wax, dirt, dust and foreign particles.
2. The bottom of the magnets' rubber cover should be kept clean and free of wax, dirt, dust and foreign particles.
3. Always make sure that the mounting surface is flat and that two (2) magnets are fully secured.
4. Never attempt to secure the magnets to a vehicle that has a fabric or vinyl covering the mounting surface.
5. Once you have located the desired mounting location, you should make sure the lens is unobstructed so that the light can be seen 360 degrees.

POWERING WARNING LIGHT USING POWER PLUG: Fig. 1

6. To power on the warning light, simply insert the light's power lighter plug into the vehicle's accessory outlet.
7. To power off the warning light, remove the light's power plug from outlet.



IMPORTANT: The warning light's power plug has a built-in fuse to protect the light and the vehicle. If the warning light does not turn on when the plug is inserted into the vehicle power outlet, check the fuse by the following method: Unscrew the plastic nut, and you will have access to the fuse. If the fuse needs to be replaced use a 5-amp fuse. Follow the reverse procedure to re-assemble fuse back into power plug.

CHANGING LIGHT PATTERN: There are three (3) different light patterns to choose from.

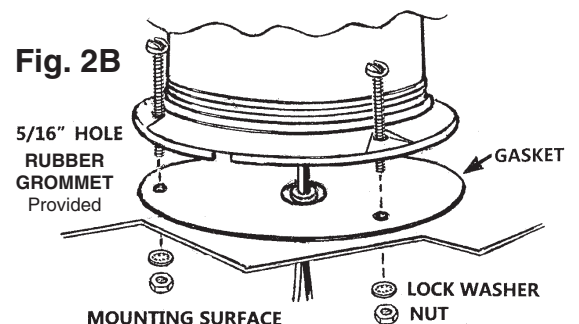
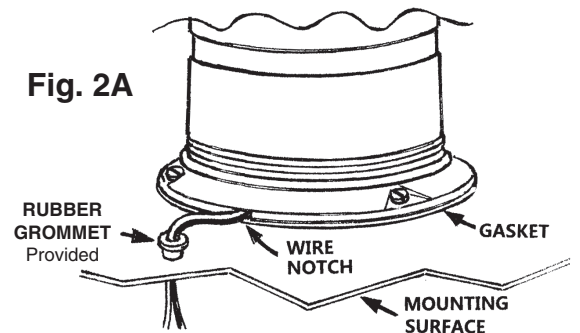
8. **MAGNET MOUNT USING POWER PLUG:** Press the pattern selector switch button on the back of the cigarette lighter plug and the light pattern will change. Each time the pattern switch is pressed the light pattern will change.

PERMANENT MOUNTING: Fig 2A & 2B

9. Position the warning light on the desired mounting location. Using the light's mounting base as a template, mark the three-mounting hole locations. Remove the warning light from mounting surface.
10. Drill the three (3) marked locations to size 1/4".

NOTE: There are two methods to route the warning lights wires:

- 2A. Route the wires through the notch in the base of the light.
- 2B. Route the wires through a hole directly under the base of the warning light.



HARD WIRING FOR PERMANENT MOUNTING Fig. 3

11. If the wire is going to be routed under the light, use the foam gasket as a template, mark the hole location and drill to size 5/16". Deburr the drilled hole and insert the provided rubber grommet into the hole. The rubber grommet will ensure that there are no sharp edges that could damage the wires or cause a short circuit. **IMPORTANT:** If waterproofing is required, use silicone sealant around wires and rubber grommet.

12. Secure the base of the warning light to the vehicle using only the hardware provided. To prevent vibration and water leaks always use the rubber gasket provided.

13. The power plug will not be used, cut the plug from the cable, the plug can be discarded.

14. Carefully remove about 2" of the power cable's black vinyl outer cover. This will expose three (3) wires; red, black and yellow. Inspect each wire to ensure that the insulation was not cut when removing the vinyl outer cover.

15. **RED WIRE:** Is connected to (+)12 volts. Connect the red wire to the vehicles fuse block or the (+) positive battery post. **IMPORTANT:** Always protect the vehicle's electrical circuit with a five (5)-amp fuse (not included). Remove fuse from the inline fuse holder until all wiring is completed. **NOTE:** This switch will control the light's power on/off.

16. **BLACK WIRE:** Is connected to an on/off switch (not provided).

17. **SWITCH'S OTHER TERMINAL:** Is connected to ground, by placing the wire under the battery's (-) negative post or any metal body bolt that is clean of paint and rust.

18. **YELLOW WIRE:** Is connected to a normally open momentary on/off switch (not provided).

19. **MOMENTARY SWITCH'S OTHER TERMINAL:** Is connect to ground, by placing the wire under the battery's (-) negative post or any metal body bolt that is clean of paint and rust. **NOTE:** This switch will control the light's flash pattern.

POWERING WARNING LIGHT WHEN HARD WIRED

20. Insert the fuse back into the fuse holder and position the switch to ON. The light will turn on and operate.

CHANGING LIGHT PATTERN: There are three (3) different light patterns to choose from.

21. **HARD WIRED USING MOMENTARY SWITCH:** Press and release the momentary switch and the light pattern will change. Each time the pattern switch is pressed the light pattern will change.

CLEANING:

A scratched, dull or dirty lens can cause a reduction in brightness of warning light. Never use a caustic or petroleum base cleaner on any surface of the warning light. For best cleaning results, always use household glass cleaner or mild soap with a soft lint free rag.

