

WISE

WARNING!

**DO NOT USE AS
FREE STANDING SEAT**

**Pontoon Bench Seating
must have railing or
support to place back
against for installation.**

**PLASTIC CORNER GUARDS ARE FOR SHIPPING PURPOSES ONLY
THEY CAN BE REMOVED**

WF1123

THE WISE COMPANY
MANUFACTURERS OF QUALITY MARINE SEATING SINCE 1960

WISE

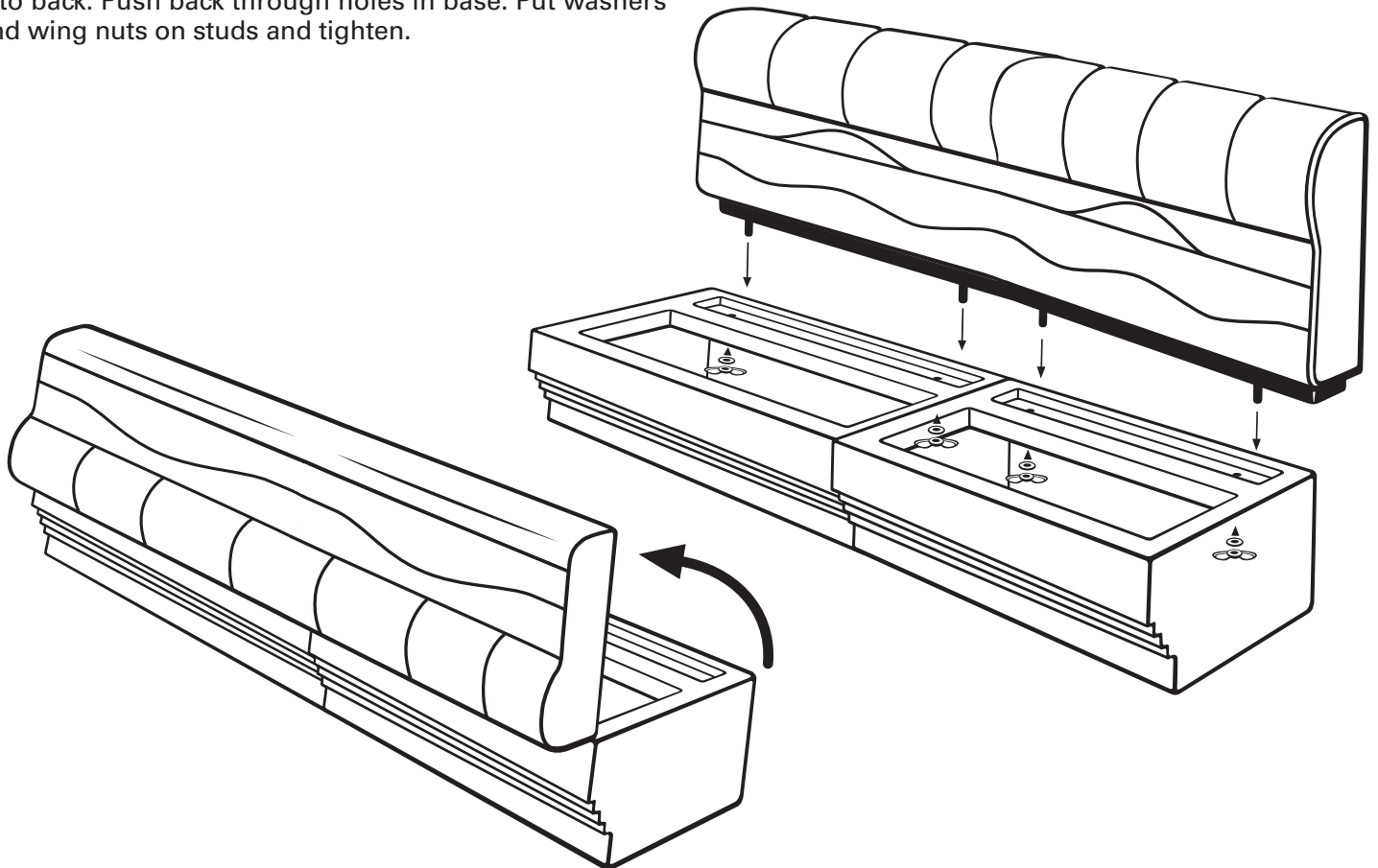
55" BENCH SEAT ASSEMBLY INSTRUCTIONS

QUALITY PREMIUM & DESIGNER PLASTIC PONTOON SEATING

PACKAGE CONTENTS

Three cartons containing a seat and backrest cushion set and two bases.

- The only tools needed are a pair of pliers and a Phillips screwdriver.
- Seat cushion must be attached to the front of the base. Flip up to install backrest, (see illustration below).
- The backrest will slide directly into the recess located at the back of the base.
- To permanently attach backrest, screw the 1/4"x 2" studs into back. Push back through holes in base. Put washers and wing nuts on studs and tighten.



THE WISE COMPANY

WF1155



PONTOON FURNITURE ASSEMBLY INSTRUCTIONS

Hardware Package: 1" Base screws, 4" threaded posts, fender washers, lock washers and wing nuts.

Tools Required: Matching pattern Phillips head hand or power screwdriver. Pliers.

NOTE: USE PLIERS TO REMOVE PLASTIC CORNER GUARDS INCLUDING ANY PROTRUDING STAPLES

All 27", 36", 45", 50" Straight Benches & all 45" Corner Couches

Assembling Seat Bottom Cushion to Plastic Base

1. Remove the hinge from the seat cushion bottom by removing the screws. Take note of the hinge placement for correct re-placement of hinge on the base and bottom.
2. Place the hinge onto the seat base and insert the 1" base screws in the 3 pre-drilled holes in the seat base. Screw down but do not tighten yet.
3. Turn the seat base so that the front of the base is facing down.
4. Place the seat bottom next to the base to re-attach the 3 screws removed from the hinge in step one. **Start screws by hand only.** Once started, screw down but again do not tighten.
5. First tighten the 3 base hinge screws into the base. Second, tighten the screws in the seat bottom cushion.
Important to tighten in this order!

All 27", 36", 45", 50" Straight Benches, All 25" - 32" Seats & All 45" Corner Couches

Assembling Seat Back to Base

- 1: Locate threaded inserts in the bottom of the seat back. 27" & 36" Bench have 2 inserts, 45" bench 3 inserts, 50" bench 4 inserts, 45" corner couch 4 inserts, 25" & 32" corners 4 inserts.
- 2: Hand Screw 4" threaded posts in inserts about half way or until they stop.
- 3: Place back into recessed channel in seat base. Posts must protrude base openings to secure.
- 4: Place in order fender washer, lock washer, wing nut onto post and tighten securely.

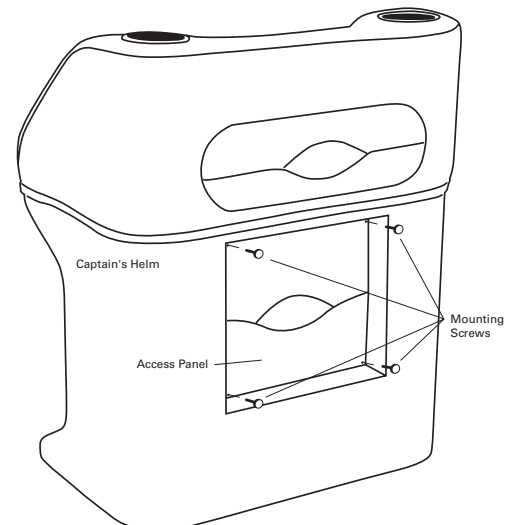
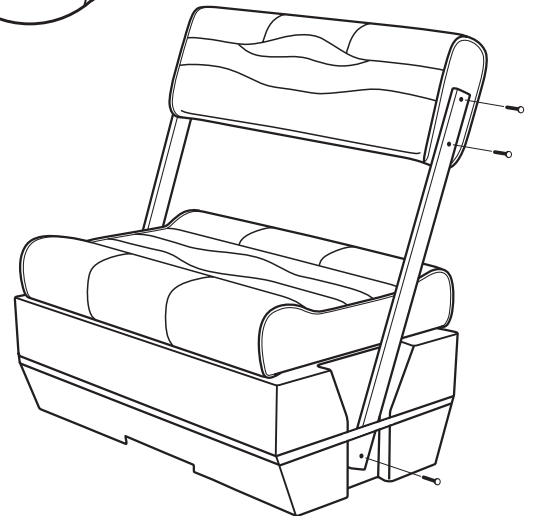
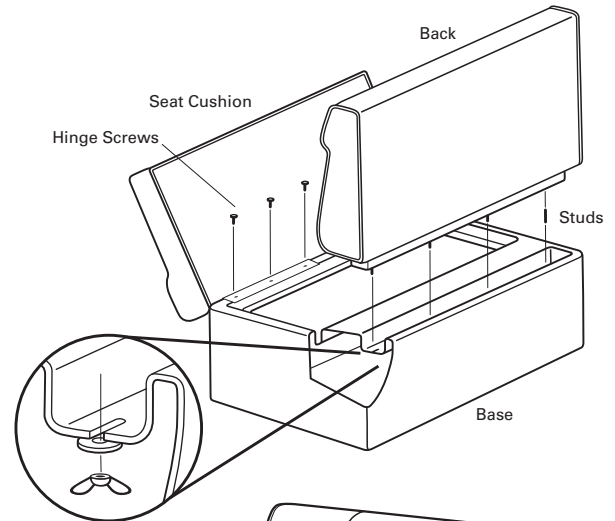
Standard & 72 Quart Cooler Flip-Flop Assembly

- 1: Follow instructions from Bench assembly to attach hinge to seat base and seat bottom cushion.
- 2: Remove the four, 1" screws from back cushion. Look on both sides for 2 openings in the vinyl.
- 3: Screw support bars into back cushion using the 4 screws removed from back cushion. Hand start to protect insert threads. Then tighten securely.
- 4: Attach support bar to bottom of base using the 2 screws provided in hardware pack. Hand start and then tighten securely.

Steering Console

- 1: Remove the 4 screws in the front access panel to access inside of console. Consult your marine professional to install gauges, steering wheel, cables, throttle box, and electrical wiring.

To install furniture onto your pontoon consult your marine professional for removal of current furniture and installation of new furniture.



WISE

STEERING CONSOLE ASSEMBLY INSTRUCTIONS

PACKAGE CONTENTS

Helm with mounted upholstered access cover panel.

To Remove Access Cover Panel

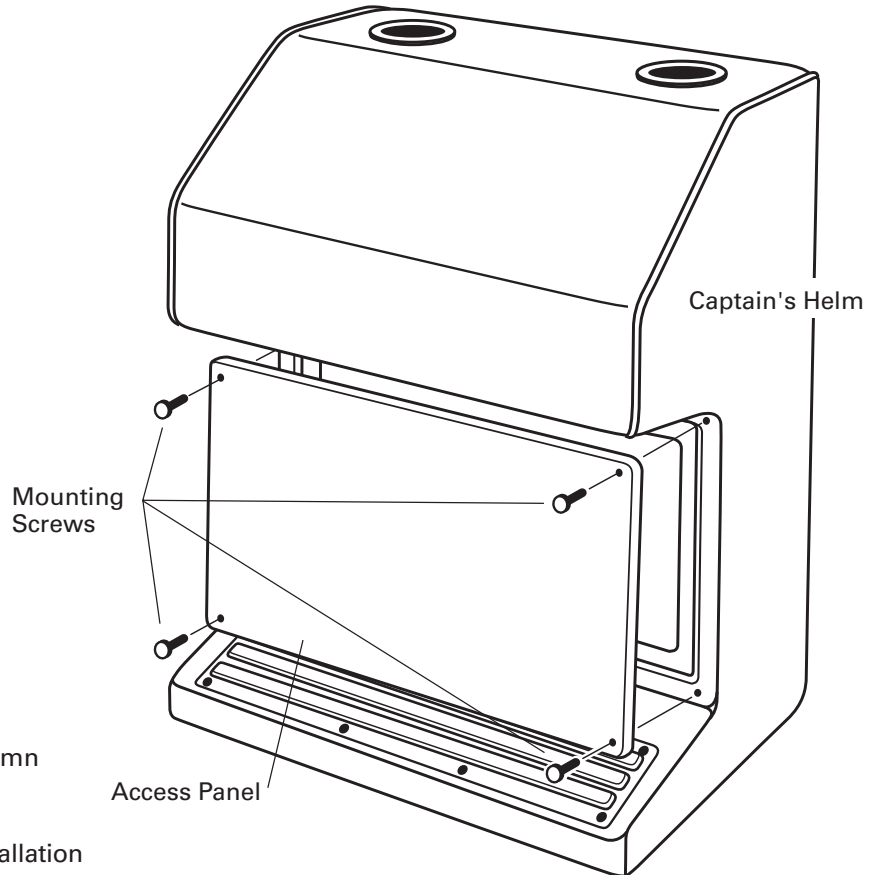
1. Remove 4 oval head mounting screws and countersunk washers.
2. Remove cover panel.

To Mount Access Panel

1. Reverse instructions above to mount panel and tighten fasteners by hand. Do not over tighten or screws will strip out plastic.

NOTE

- When mounting steering wheel assembly and throttle control, trim only vinyl necessary to clear component through hole.
- Adequate upholstery material for steering column bezel and throttle cover plate must remain for plate to securely overlap and capture vinyl.
- Follow manufacturers specific directions for installation of steering assembly and throttle control.
- When mounting throttle directly to helm please consult your local marine professional.



NOTE

TO AVOID CROSS-THREADING
OF FASTENERS PLEASE START
ALL SCREWS BY HAND

WARNING

STAPLES MAY PROTRUDE
THROUGH PLASTIC SHELL

BE CAREFUL TO AVOID BEING CUT

THE WISE COMPANY
MANUFACTURERS OF QUALITY MARINE SEATING SINCE 1960

Discover other boat seating and accessories on our website.