

# SWINGBACK COOLER/LIVEWELL ASSEMBLY INSTRUCTIONS

## WD437SS

### LIVEWELL COOLER SEAT

#### PACKAGE CONTENTS

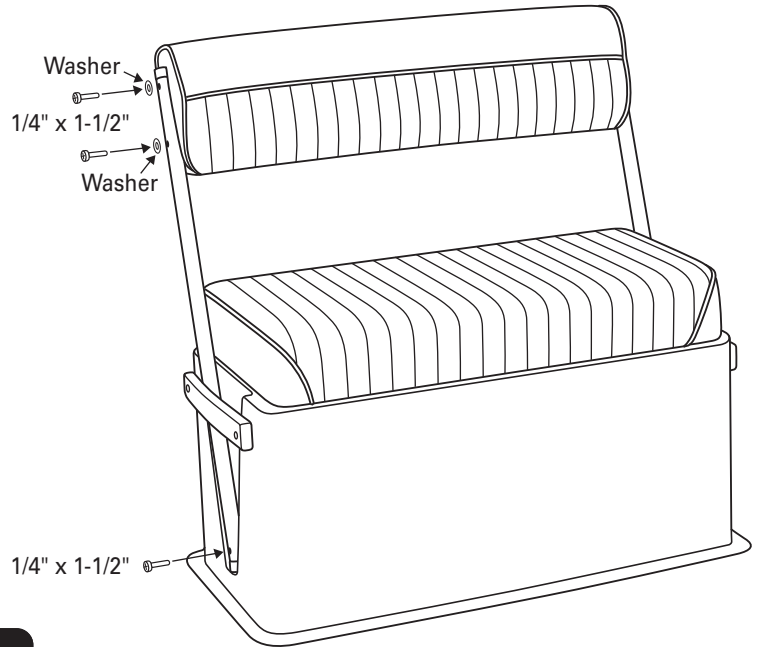
Back cushion, seat cushion, base and hardware

#### Attach Swing Arm Assembly to Base

- Attach uprights and washer using 1-1/2" screw, tighten securely.

#### Attach Swing Arm Assembly to Back

- Using 1-1/2" screws and 5/8" washer mount back to uprights, tighten assembly.



#### NOTE

TO AVOID CROSS-THREADING OF FASTENERS PLEASE START ALL SCREWS BY HAND

## WD156

### 70 QUART SWINGBACK COOLER SEAT

## WD159

### 50 QUART SWINGBACK COOLER SEAT

#### PACKAGE CONTENTS

Back cushion, seat cushion, base and hardware

#### Attach Swing Arm Assembly to Base

- Attach uprights and washer using 1-1/2" screw, tighten securely.

#### Attach Swing Arm Assembly to Back

- Using 1-1/2" screws, mount back to uprights, tighten assembly.

