

WIND RESTRICTOR® (ILLUMINATED)

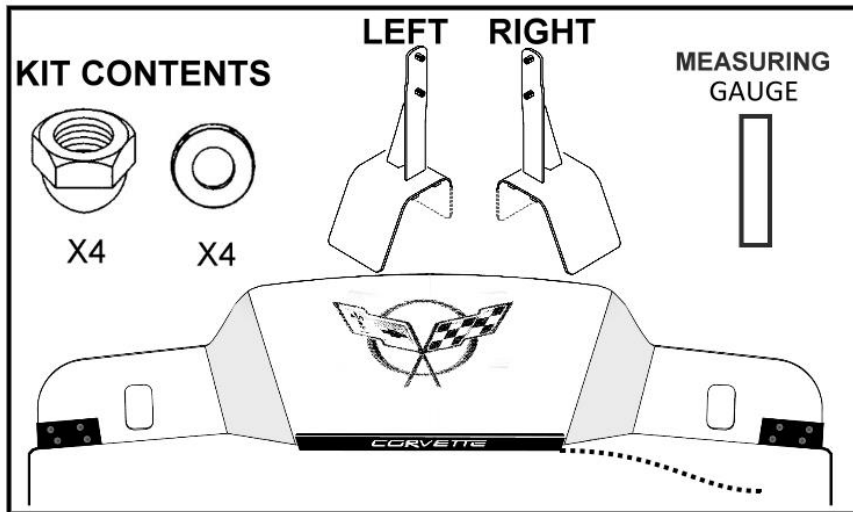
Chevrolet Corvette C5

1997-2004



27-18509-56073

OFFICIAL
LICENSED PRODUCT
GM TRADEMARKS USED
UNDER LICENSE TO
KING PENN INDUSTRIES INC.

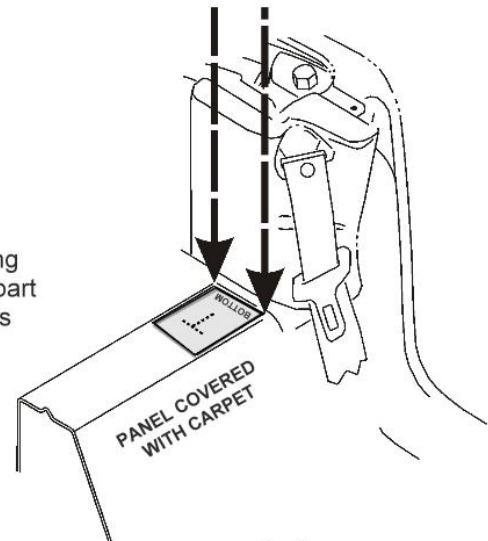


INSTALLATION

All steps are performed the same on both the driver's and passenger's side.

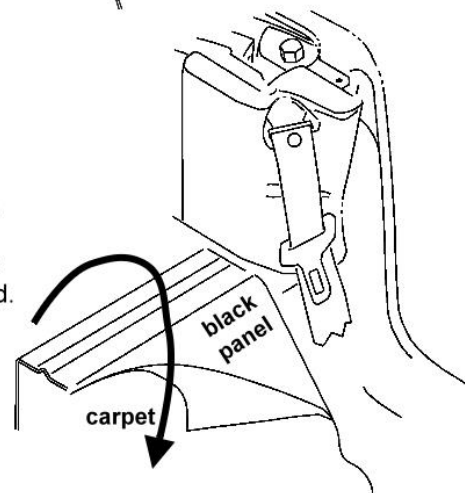
step1

Cut a small "T-Slot" on the driver's and passenger's side carpet covering the panel behind the seats. Lay the pattern provided in box on the flat part of panel and align the side that reads "bottom" with the panel parallel as shown here. The black metal brackets will exit through these slots when installed.



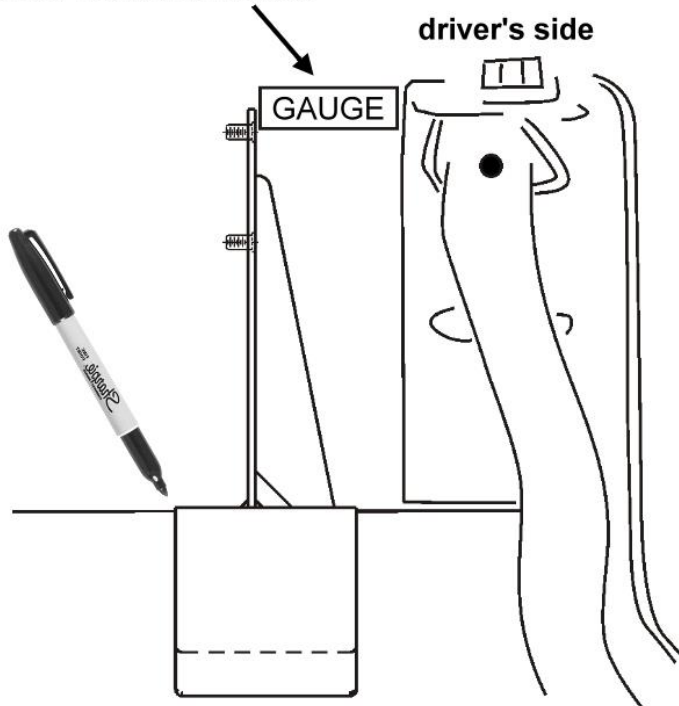
step2

Pull back the carpet from this panel behind the seats as seen in this photo. The carpet is held in place with a velcro material and will go back just like it was removed. Keep in mind that the slot you just cut will slide down over the top of the black brackets that will be installed.



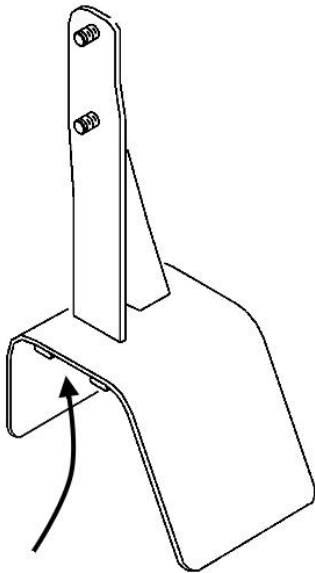
Step3

Fit the brackets into position on each side of the car without removing the adhesive covers. Use the gauge provided in the box to determine the proper alignment. The upper most part of the bracket should install 3.3 inches away from the flat part of the side panel. Use a marker to draw a line where the bracket should mount on both sides.



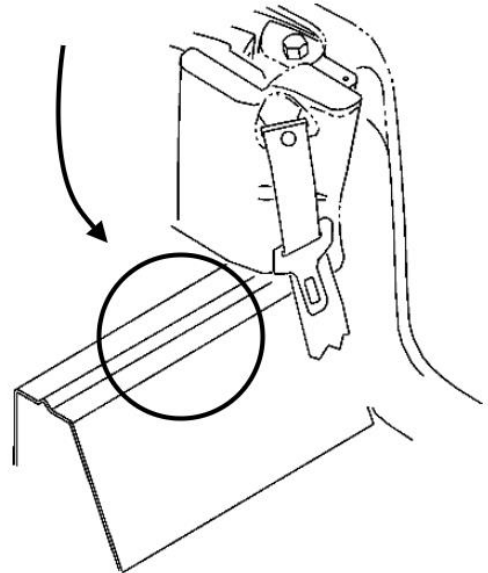
Step4-B

Remove the VHB tape covering from the bottom side of the black brackets provided in the box. If you heat the VHB Tape with a heat gun or hair drier it will significantly reduce the curing time on vehicle. Do not install in cold weather unless you heat the two surfaces.



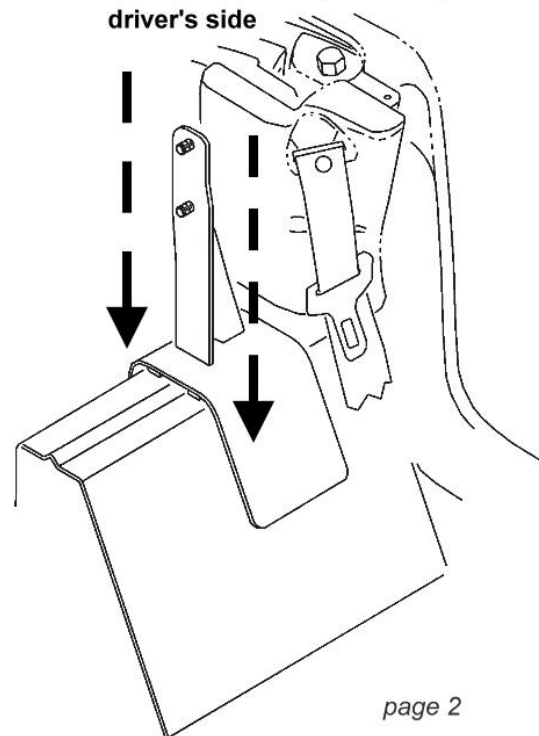
Step4-A

Remove the brackets after marking installation location. Clean the top side of the black panel with alcohol pads provided in the box. Make sure that this surface is extremely clean and dry before proceeding to the next step. Do not use any oil based cleaners.



Step4-C

It will also help to heat up the panel just a bit so that it is not cold. Install the brackets into place. It will help to start from the rear and rock the bracket forward. Once in place use a firm amount of downward pressure to activate the Very High Bonding Tape to the panel. Allow both sides to sit for 15 minutes before proceeding.



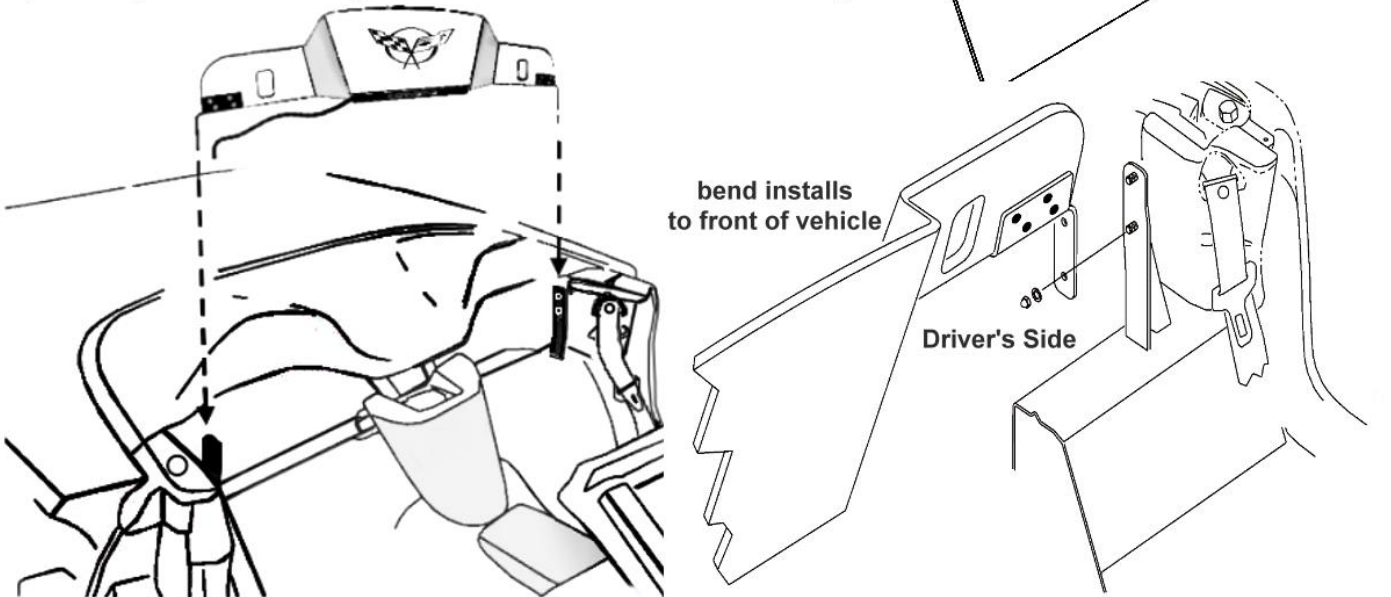
Step5

After letting the brackets sit 15 minutes pull the carpet up and over the brackets. The top of metal should fit perfectly through the slot you cut in the carpet on both sides. It will help to remove some of the sponge material from the underside of carpet. You may need to pull the carpet up from under the bottom panel so that you have enough room to get it over the metal and down into place. Then tuck the carpeting back into place like it was originally. The slot should fit the metal perfectly.

****Note- When placing the carpet back in to place keep in mind that once wind-restrictor is installed the wiring will be running along the dotted line here in this illustration. So, at this point placing the carpet over the bracket should be good enough. After restrictor is mounted and wiring is ran you can place carpet back to original position.*

Step6

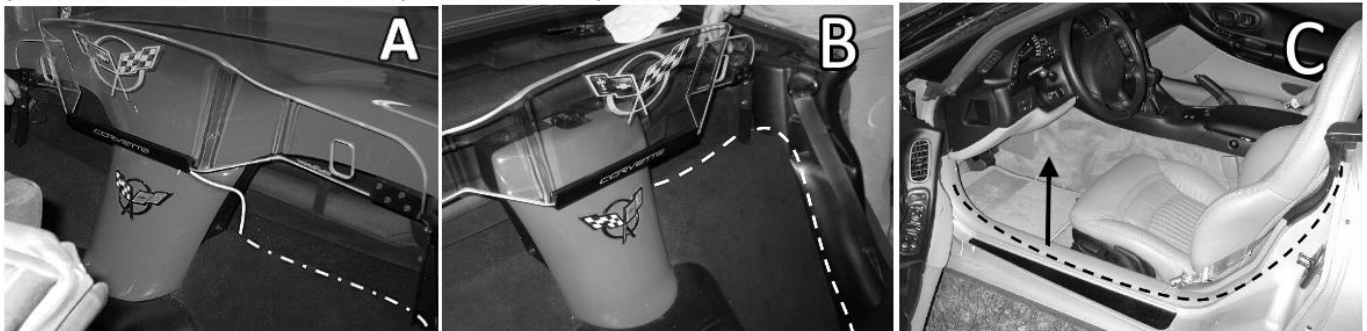
Using a Crescent or 7/16" wrench mount the Windrestrictor® with the Acorn Nuts and washers provided in the box. The glass surface should have just enough flex in it to allow you to mount the brackets. It should be a tight fit.



NOTE: If you have any of the lighting accessories please refer to the specific instructions that were included. This will tell you how each accessory is supposed to be wired. The optional hard wiring instructions below are to show you where you get the power from and where the ground is located. Please review the rest of the steps.

Step7

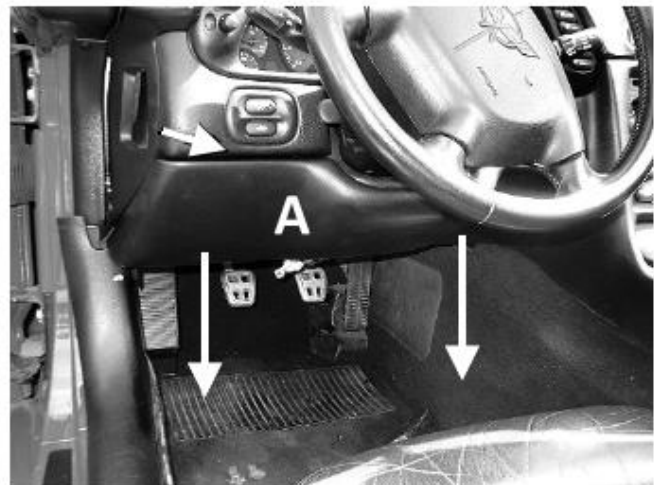
See illustration A. With the restrictor in place, run the wire directly back into the carpet seam and over to the drivers side seat belt tower. See B. Tuck the wire under the side panels under where the seat belt runs. See C. Remove carpet retainer by pulling straight upwards. It's held on by a couple of clips. The positive wire will run under this panel all the way to the harness under the dash.



Step8 Ground the negative wire (stripped on the end and has no writing) under the bolt that holds the drivers seat in place. We suggest the rear bolt in corner so you can tuck the excess wire into the side panel next to it. Again, if you have any accessories refer to the insert that was included in the box. This is the grounding point for all accessories also though. Insure that you get a very good connection under the ground or the products will not work.



Step9 Pull the panel down so that you can access the wiring harness behind it. This panel is held in place by 2 torx screws on the bottom and 1 clip to the left side of the two buttons to left of steering wheel. After you get the screws out from the bottom side just pull outwards on the upper portion and it will disconnect the clip on back of panel. On the right side it is held in place by another screw that is behind a rectangle trim piece but we did not have to remove this third screw just to pull the panel down a bit.

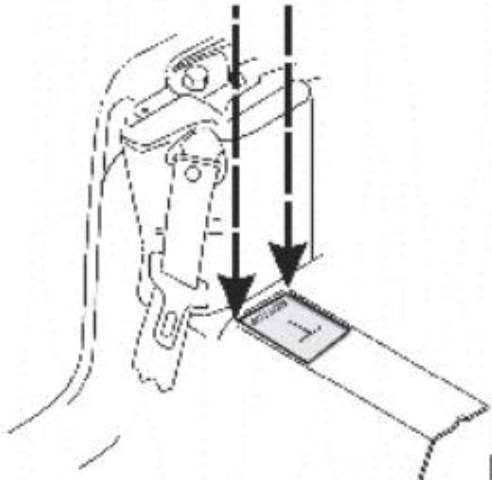


Step10 Directly under panel (A) as seen above you will find a few wiring harnesses with blue plugs on the end. The wires we need are in the bunch of wires on the left. Using the red clamp provided, tap in the positive wire from wind restrictor to the power wire of your choice. The white wire on the far left side of the harness bundles is the brake lamp wire. Tap into that white wire if you want the product to come on only when you press your brake pedal. Tap in to the dark brown wire if you want the product to come on when you turn your park lights on or head lights at night. There should only be one dark brown wire. (not the tan wire) Once you tap in to the wire you should be able to test the product. Make sure you are in a dark area so you can see the lighting on wind restrictor when testing. Turn your key on when testing also. After you confirm that you have power hide all wiring and place panels and carpeting back in original position.

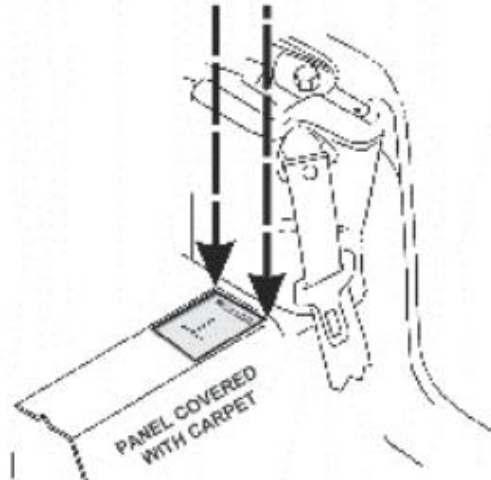


C5 Slot Pattern for metal brackets.

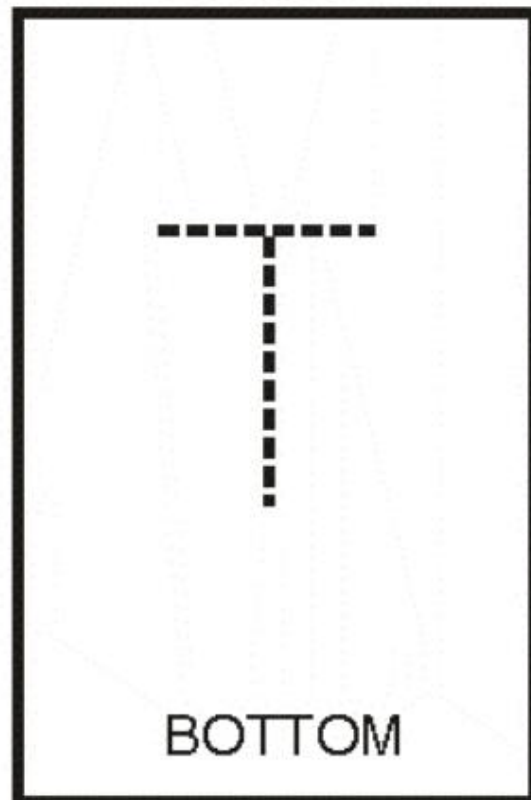
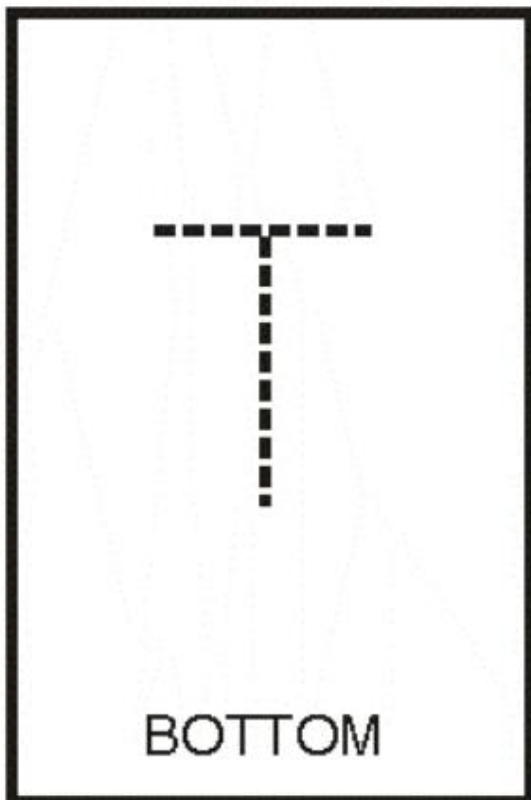
Cut the patterns out of this page along the bold rectangle lines. Then place the patterns down on carpet as seen below. Line the bottom of pattern up with the flat part of plastic panel. Cut a slot in the carpet directly where the dotted lines are.



PASSANGER



DRIVER



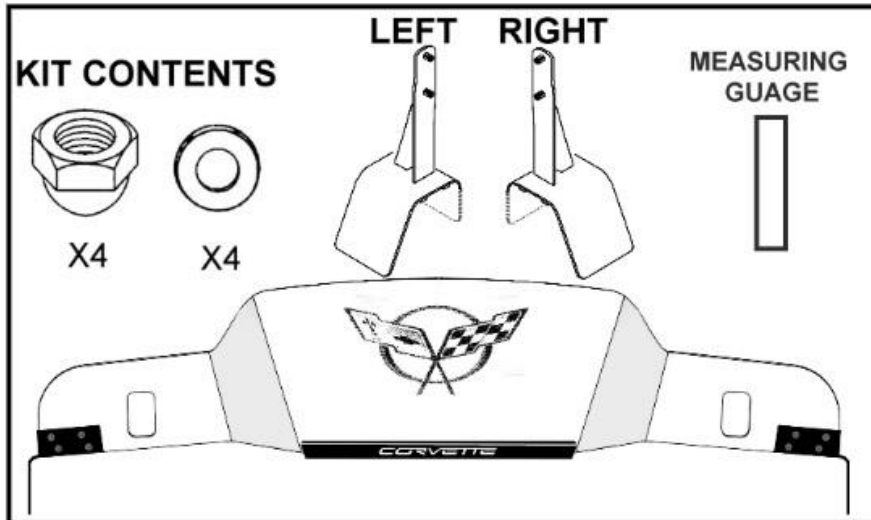
WIND RESTRICTOR® NON Illuminated Chevrolet Corvette C5 1997-2004



27-18509-56073

OFFICIAL
LICENSED PRODUCT

GM TRADEMARKS USED
UNDER LICENSE TO
KING PENN INDUSTRIES INC.

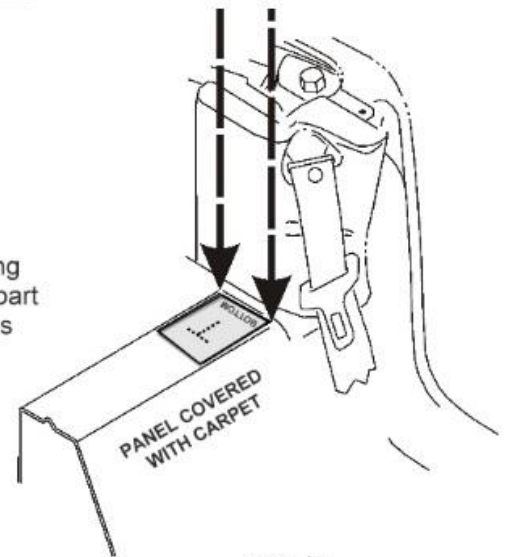


INSTALLATION

All steps are performed the same on both the driver's and passenger's side.

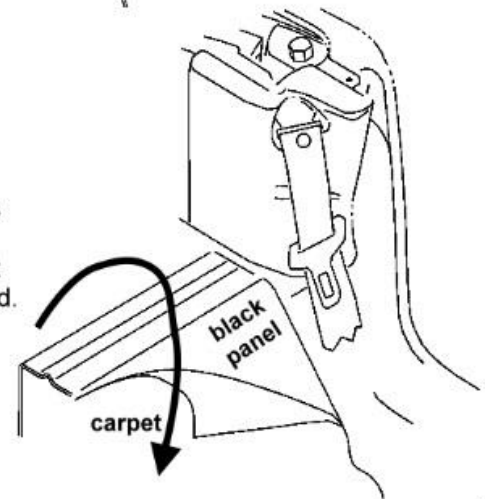
step1

Cut a small "T-Slot" on the driver's and passenger's side carpet covering the panel behind the seats. Lay the pattern provided in box on the flat part of panel and align the side that reads "bottom" with the panel parallel as shown here. The black metal brackets will exit through these slots when installed.



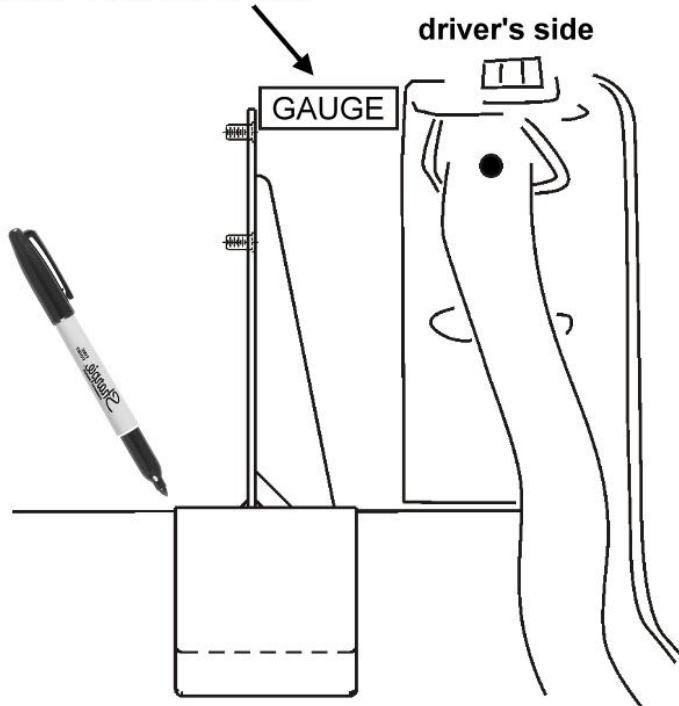
step2

Pull back the carpet from this panel behind the seats as seen in this photo. The carpet is held in place with a velcro material and will go back just like it was removed. Keep in mind that the slot you just cut will slide down over the top of the black brackets that will be installed.



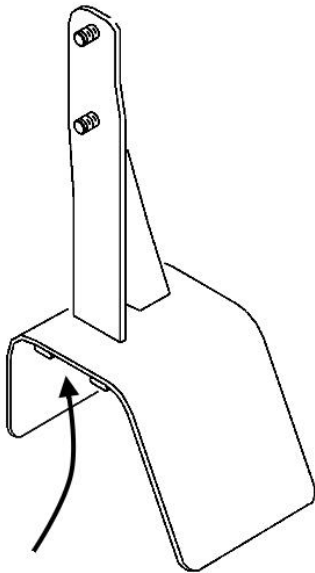
Step3

Fit the brackets into position on each side of the car without removing the adhesive covers. Use the gauge provided in the box to determine the proper alignment. The upper most part of the bracket should install 3.3 inches away from the flat part of the side panel. Use a marker to draw a line where the bracket should mount on both sides.



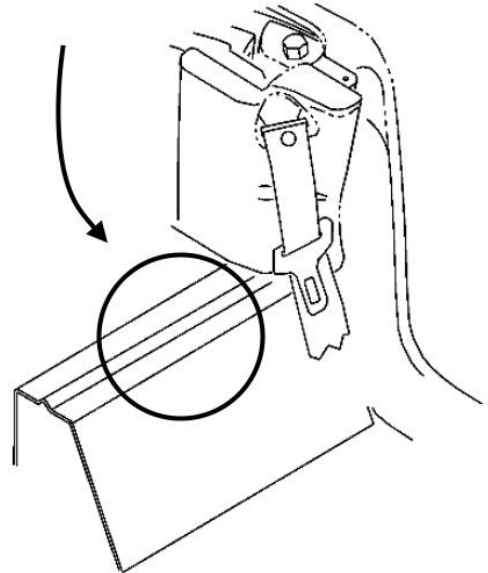
Step4-B

Remove the VHB tape covering from the bottom side of the black brackets provided in the box. If you heat the VHB Tape with a heat gun or hair drier it will significantly reduce the curing time on vehicle. Do not install in cold weather unless you heat the two surfaces.



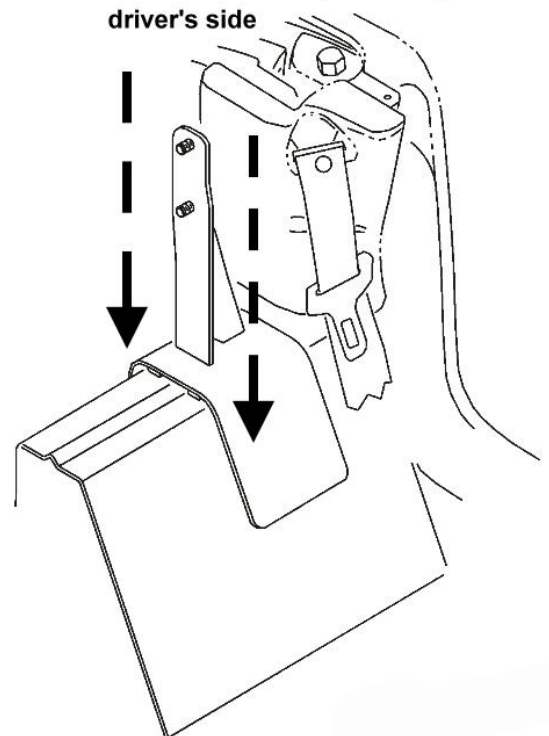
Step4-A

Remove the brackets after marking installation location. Clean the top side of the black panel with alcohol pads provided in the box. Make sure that this surface is extremely clean and dry before proceeding to the next step. Do not use any oil based cleaners.



Step4-C

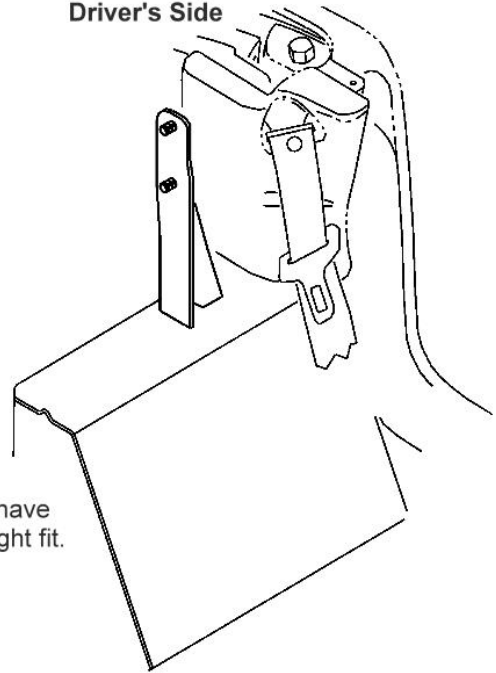
It will also help to heat up the panel just a bit so that it is not cold. Install the brackets into place. It will help to start from the rear and rock the bracket forward. Once in place use a firm amount of downward pressure to activate the Very High Bonding Tape to the panel. Allow both sides to sit for 15 minutes before proceeding.



Step5

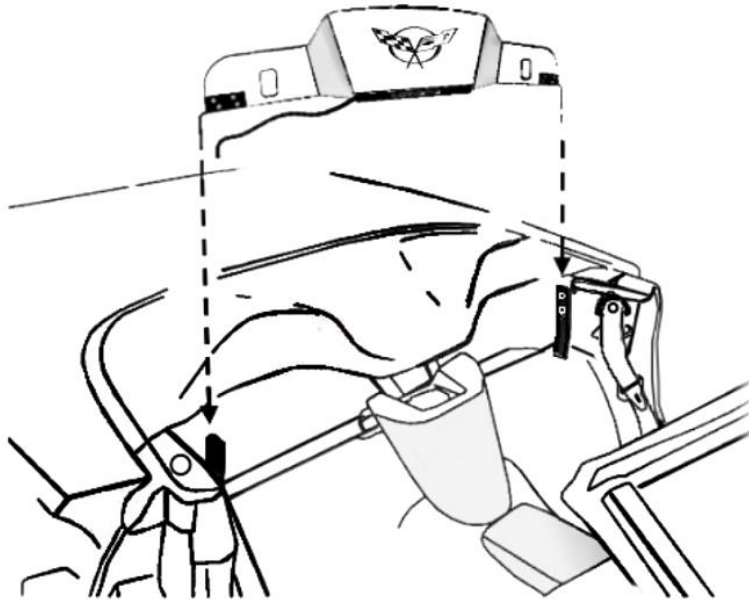
After letting the brackets sit 15 minutes pull the carpet up and over the brackets. The top of metal should fit perfectly through the slot you cut in the carpet on both sides. It will help to remove some of the sponge material from the underside of carpet. You may need to pull the carpet up from under the bottom panel so that you have enough room to get it over the metal and down into place. Then tuck the carpeting back into place like it was originally. The slot should fit the metal perfectly.

Driver's Side



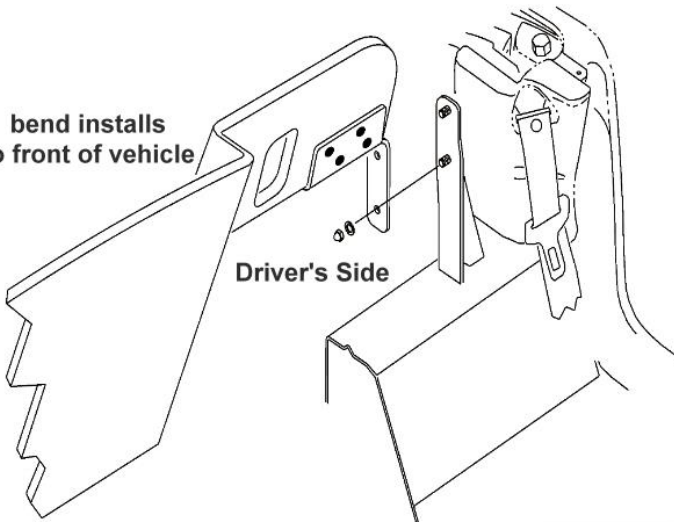
Step6

Using a Crescent or 7/16" wrench mount the Windrestrictor® with the Acorn Nuts and washers provided in the box. The glass surface should have just enough flex in it to allow you to mount the brackets. It should be a tight fit.



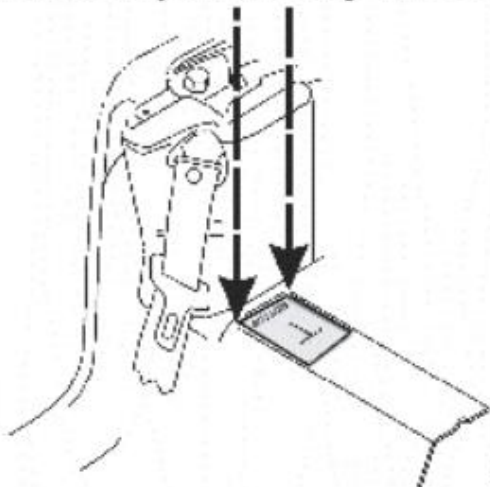
**bend installs
to front of vehicle**

Driver's Side

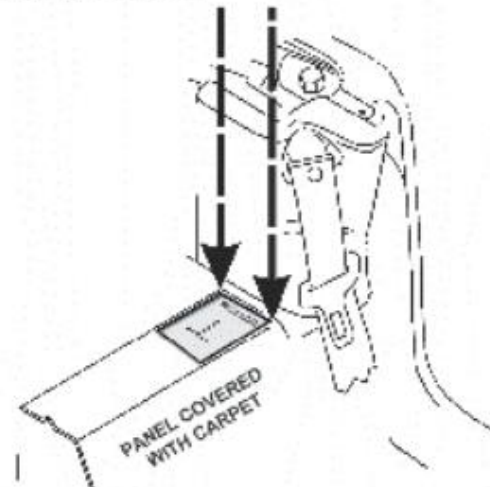


C5 Slot Pattern for metal brackets.

Cut the patterns out of this page along the bold rectangle lines. Then place the patterns down on carpet as seen below. Line the bottom of pattern up with the flat part of plastic panel. Cut a slot in the carpet directly where the dotted lines are.



PASSANGER



DRIVER

