



C10 PROSPINDLE KITS

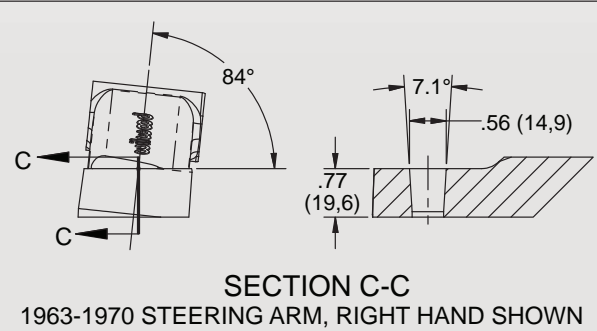
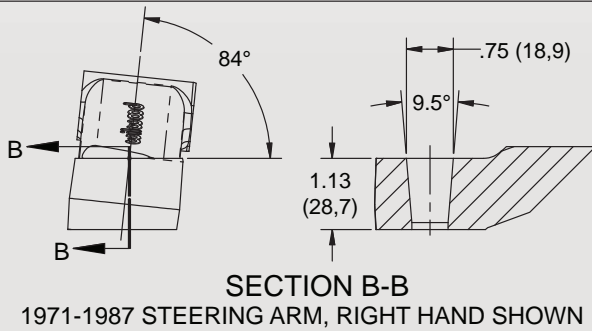
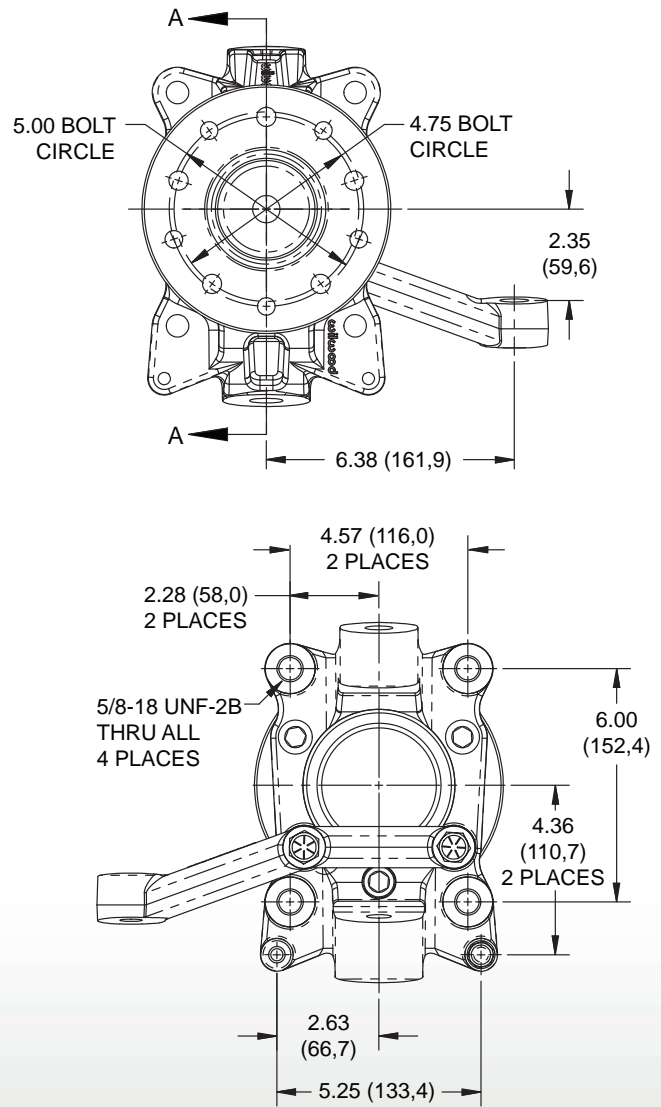
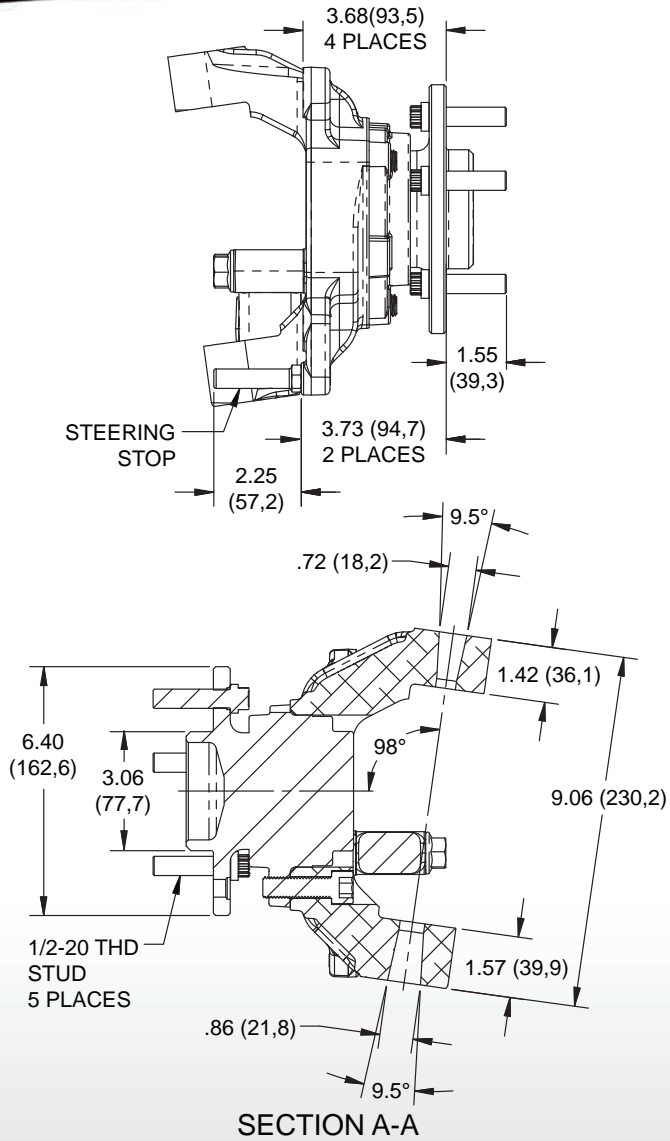
Wilwood ProSpindle Kits provide a sturdy, safe and reduced weight method of improving handling and brake performance on all 1963-87 Chevrolet model C10 trucks using Original Equipment (OE) style suspension.



ProSpindle **Features**



- 2.50" drop improves handling and delivers a custom lowered stance
- Forged aluminum knuckle and bolt-on steering arm
- Dual pattern, modular bearing hub accepts 5 on 4.75" or 5 on 5" wheels
- Direct fit on all 1973-87 models and 1963-72 with updated ball joints
- Designed for use with Original Equipment suspension or custom fabricated direct replacements
- Fortified with radial caliper mounts to handle big brake stopping power
- ProSpindle kits include a detailed guide with step-by-step instructions of the fully bolt-on installation
- Four kits are available specifically designed to fit the spindle ranging from 12.19" to 14.00" diameter with black or red powder coat calipers



C10 ProSpindle Dimensional Characteristics

ORDERING INFORMATION: Wilwood 2.50" Drop C10 ProSpindles

PART NUMBER	YEAR	DESCRIPTION
831-14201	1963-1970	ProSpindle Assembly Kits, Pair, Includes 2 Knuckles, Steering Arms, Hubs and Hardware
831-14202	1971-1987	ProSpindle Assembly Kits, Pair, Includes 2 Knuckles, Steering Arms, Hubs and Hardware