

Superlite 4R Rear Brake

kits for 1988-1996 C4 Corvette rear axles offer two performance-level configurations for high-capacity braking on the street, slalom, or track. Ideal for both production chassis Corvettes or custom vehicles built using an adapted C4 rear suspension.



KIT FEATURES

- Superlite four piston radial mount forged aluminum calipers with stainless steel pistons
- Choice of kits with or without MC4 parking brake calipers
- Dual-sport street and track kits w/parking brakes include powder coat calipers, BP-10 *SmartPads* and 12.88" x .81" thick rotors
- Race kits without parking brakes include hard-anodized calipers, BP-30 *SmartPads* and 12.88" x 1.10" thick **Spec37** GT rotors
- Two-piece rotor mounting with weight-saving aluminum hats
- Fully compatible with the OE master cylinder output and ABS on production chassis vehicles
- Easily configured with other power brake or manual pedals on custom-built vehicles using an adapted rear C4 suspension
- DOT-approved braided stainless steel flexlines are available and may be ordered separately
- Easy to follow, step-by-step detailed instructions included



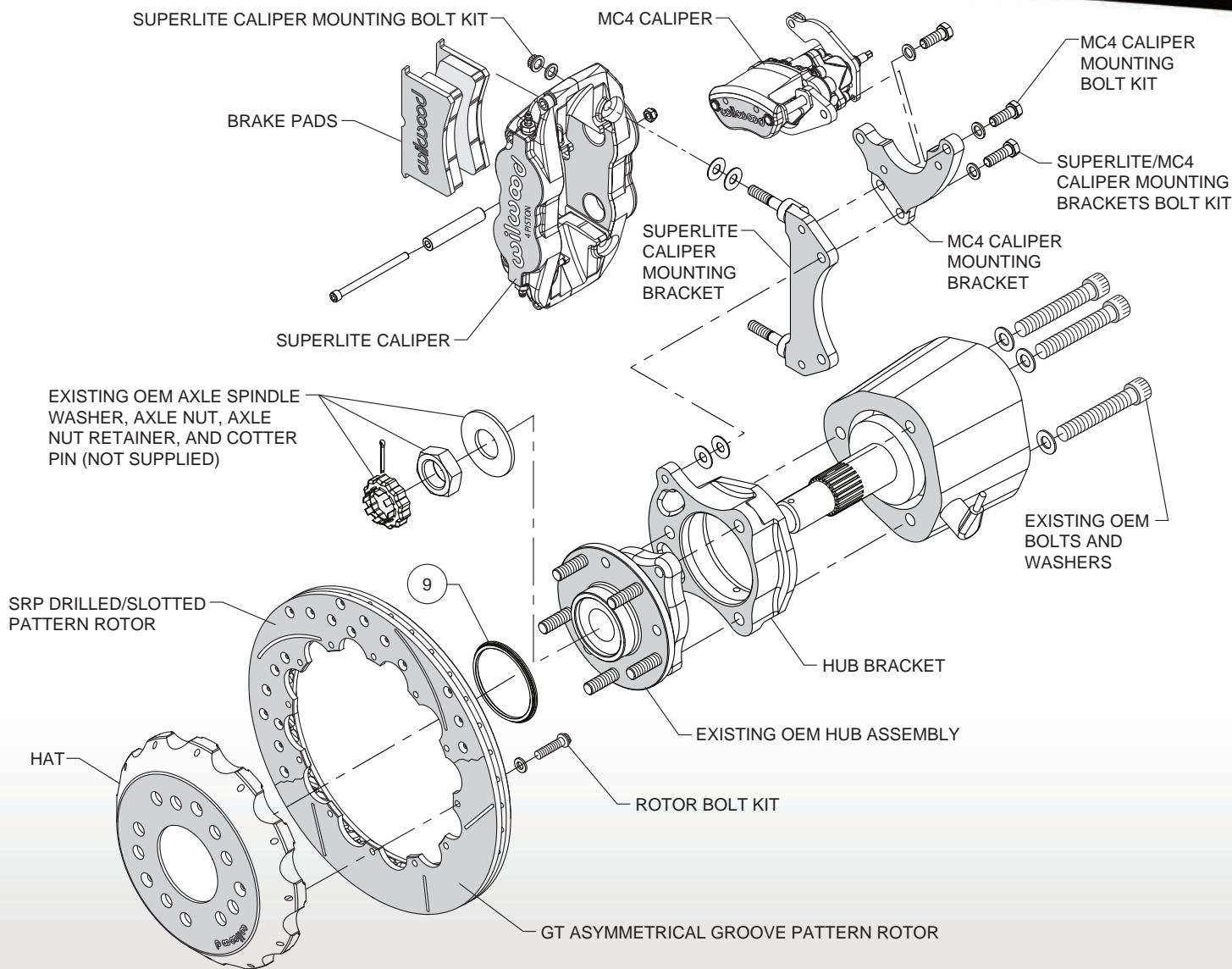


Figure 1. Typical Installation Diagram, Superlite/MC4 Parking Brake Kit Shown

ORDERING INFORMATION: Rear Brake Kits for 1988-1996 Chevrolet C4 Corvette

PART NUMBER	DESCRIPTION	CALIPER FINISH
140-14879	Superlite 4R Calipers, 12.88" Spec37 GT Competition Series Rotors, BP-30 Compound <i>SmartPads</i>	Gray Hard Anodize
140-14883	Superlite 4R/MC4 Calipers, 12.88" GT Slotted Face Rotors, BP-10 Compound <i>SmartPads</i>	Black Powder Coat
140-14883-D	Superlite 4R/MC4 Calipers, 12.88" SRP Drilled and Slotted Rotors, BP-10 Compound <i>SmartPads</i>	Black Powder Coat
140-14883-R	Superlite 4R/MC4 Calipers, 12.88" GT Slotted Face Rotors, BP-10 Compound <i>Smartpads</i>	Red Powder Coat
140-14883-DR	Superlite 4R/MC4 Calipers, 12.88" SRP Drilled and Slotted Rotors, BP-10 Compound <i>SmartPads</i>	Red Powder Coat
220-8177	Braided Stainless Steel Flexline Kit for Original Equipment Production Chassis C4 Corvettes	N/A
330-9371	Wilwood Universal Disc/Drum Parking Brake Cable Kit	N/A
330-14891	Wilwood Parking Brake Cable Kit for MC4 Calipers Specifically for 1988-1996 C4 Corvette	N/A