

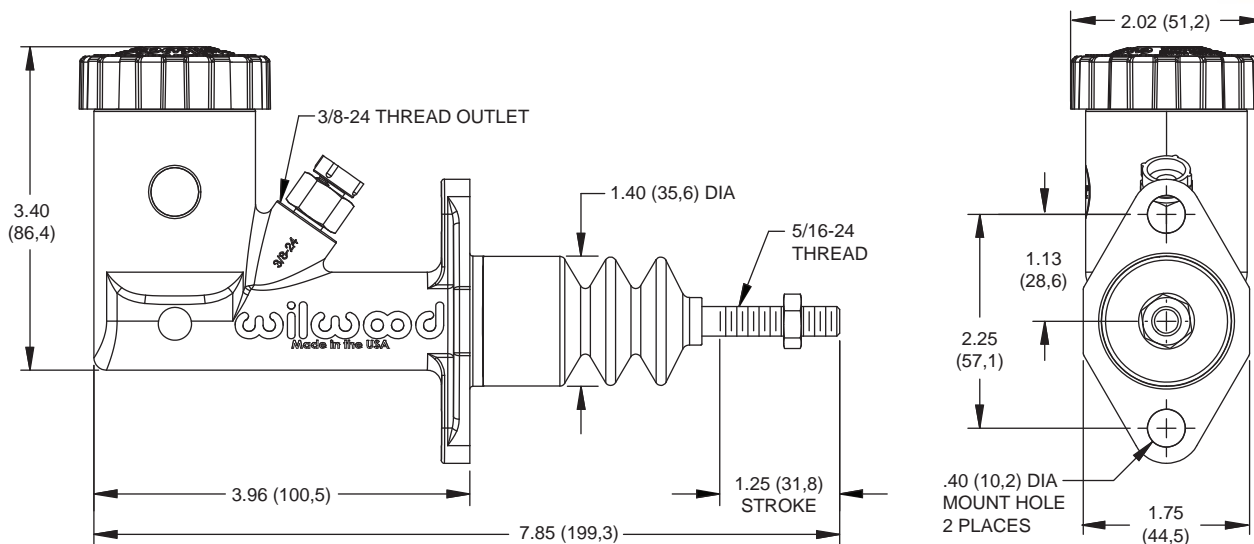
**WILWOOD'S GS COMPACT MASTER CYLINDERS** are the perfect solution for club sports racers, small open wheel cars, and all other racing or custom applications with limited space for the cylinder and the reservoir.



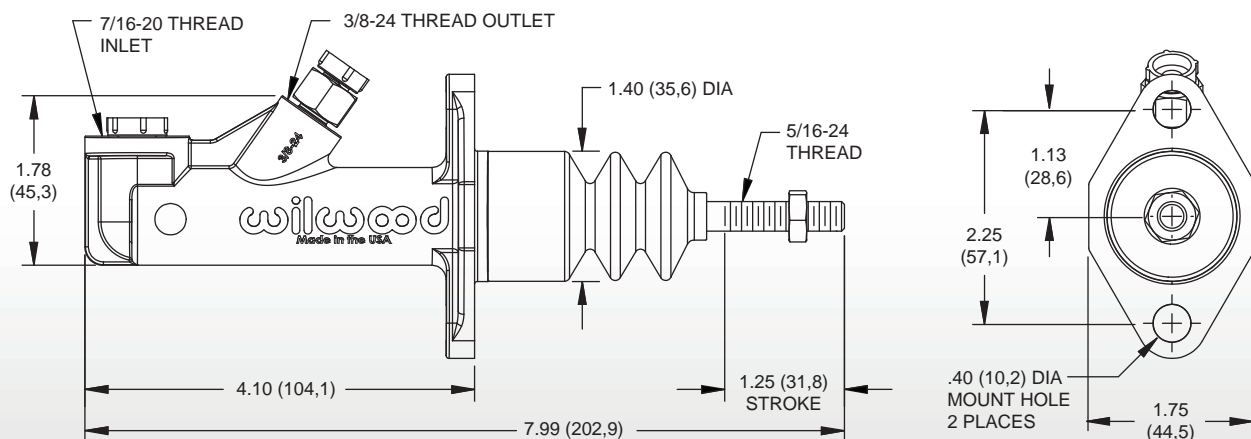
### GS MASTER CYLINDER FEATURES



- Newly tooled high pressure die-cast aluminum bodies with protective e-coat finish
- Newly designed internal piston and return spring assembly assures a quick and positive release with extended service life
- Fully rebuildable design
- All twist-on caps used on the integral reservoir models include positive seal bellows gaskets
- Remote reservoir models use 7/16-20 male union inlet fittings with aluminum sealing washers
- High displacement capacity with full 1.25" stroke in all models
- Use for brake or clutch
- Direct mounting to Wilwood and all similar brand pedals using 2.25" bolt hole center mounting flanges
- Optional remote fill kits with choice of 4oz or 10oz capacity include the reservoir, filter, mounting bracket, rubber hose, clamps and fittings



**Compact Integral Reservoir Master Cylinder, Physical Characteristics**



**Compact Remote Reservoir Master Cylinder, Physical Characteristics**

### ORDERING INFORMATION:

PART NUMBER	DESCRIPTION	BORE SIZE	REBUILD KIT
<b>INTEGRAL STYLE</b>			
<a href="#">260-15096</a>	GS Compact Integral Reservoir Master Cylinder	.62"	260-14117
<a href="#">260-15097</a>	GS Compact Integral Reservoir Master Cylinder	.70"	260-14118
<a href="#">260-15098</a>	GS Compact Integral Reservoir Master Cylinder	.75"	260-14119
<b>REMOTE STYLE</b>			
<a href="#">260-15088</a>	GS Compact Remote Reservoir Master Cylinder	.50"	260-14116
<a href="#">260-15089</a>	GS Compact Remote Reservoir Master Cylinder	.62"	260-14117
<a href="#">260-15090</a>	GS Compact Remote Reservoir Master Cylinder	.70"	260-14118
<a href="#">260-15091</a>	GS Compact Remote Reservoir Master Cylinder	.75"	260-14119
<a href="#">260-15092</a>	GS Compact Remote Reservoir Master Cylinder	.81"	260-14120
<b>REMOTE RESERVOIRS</b>			
<a href="#">260-7577</a>	Reservoir Kit, Remote Fill, 4oz Tank w/Bracket, Rubber Hose, Fittings	All	N/A
<a href="#">260-8742</a>	Reservoir Kit, Remote Fill, 10oz Tank w/Bracket, Rubber Hose, Fittings	All	N/A