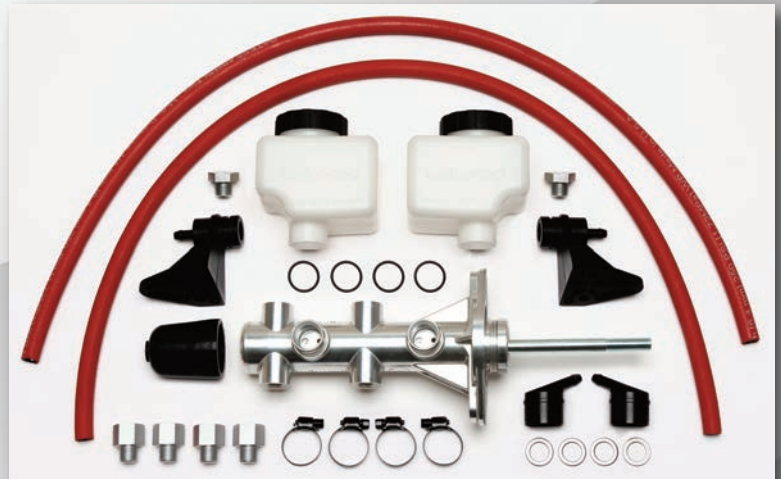


Wilwood's Compact Remote Tandem Master Cylinders offer an expanded range of mounting options for hard-to-access or space-limited applications. Four bore size options, and the ability to feed the cylinders with either direct or remote mount fluid reservoirs, can accommodate a wide range of brake caliper combinations in either power or manually actuated systems.

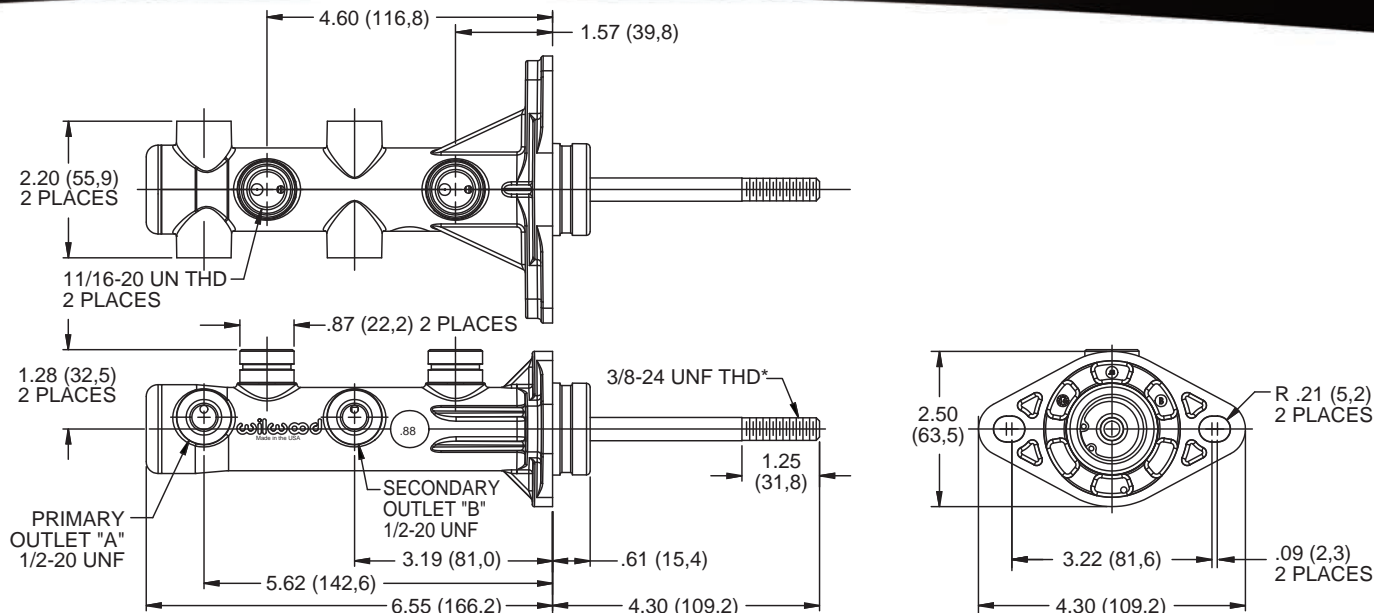


Master Cylinder Kit Components

MASTER CYLINDER FEATURES



- High-pressure die cast aluminum, lightweight, high-strength body
- Compact design with 6.55" overall length from the mounting flange
- Full 1.12" stroke capacity with a 2:1 output volume ratio between the front and rear fluid circuits
- Dual outlets in each fluid circuit accommodate pressure output from either or both sides
- Available in 7/8", 15/16", 1" and 1-1/8" bore sizes
- 7/8" and 15/16" bore models include an integral pushrod for manual pedal applications
- 1" and 1-1/8" bore models can mount directly to power brake boosters or be used with a captured manual pushrod kit
- Slotted hole mount flanges will mount on pedals or boosters with bolt centers from 3.22" to 3.40"
- Choice of black e-coat or bright media burnished finish
- Kits include plastic reservoirs with brackets and hardware for direct or remote feed filling
- Billet aluminum reservoir kits and stainless braided flexlines optional



*PUSHROD INCLUDED WITH 7/8" AND 15/16" BORE SIZES ONLY

Compact Remote Tandem Master Cylinder, Physical Characteristics

ORDERING INFORMATION, MASTER CYLINDERS:

PART NUMBER	DESCRIPTION	BORE SIZE	FINISH
260-14241-BK	Compact Remote Tandem Master Cylinder with Pushrod	7/8"	Black
260-14241-P	Compact Remote Tandem Master Cylinder with Pushrod	7/8"	Polished
260-14242-BK	Compact Remote Tandem Master Cylinder with Pushrod	15/16"	Black
260-14242-P	Compact Remote Tandem Master Cylinder with Pushrod	15/16"	Polished
260-14243-BK	Compact Remote Tandem Master Cylinder without Pushrod	1"	Black
260-14243-P	Compact Remote Tandem Master Cylinder without Pushrod	1"	Polished
260-14244-BK	Compact Remote Tandem Master Cylinder without Pushrod	1-1/8"	Black
260-14244-P	Compact Remote Tandem Master Cylinder without Pushrod	1-1/8"	Polished

ORDERING INFORMATION, ASSOCIATED COMPONENTS:

PART NUMBER	DESCRIPTION
260-12696	Direct Mount 4 Ounce Billet Aluminum Master Cylinder Fluid Reservoir with 11/16-20 Thread Adapter
260-12697	Remote Mount 4 Ounce Billet Aluminum Fluid Reservoir w/Mounting Bracket and 3/8-24 Thread -3 AN Fluid Connector
220-12992	6.00 Inch Long -3 AN Stainless Steel Braided Flexline with -3 to 11/16-20 Remote Inlet Adapter
220-12993	8.00 Inch Long -3 AN Stainless Steel Braided Flexline with -3 to 11/16-20 Remote Inlet Adapter
220-13004	10.00 Inch Long -3 AN Stainless Steel Braided Flexline with -3 to 11/16-20 Remote Inlet Adapter
220-13005	12.00 Inch Long -3 AN Stainless Steel Braided Flexline with -3 to 11/16-20 Remote Inlet Adapter
220-13130	11/16-20 to -3 AN Male Master Cylinder Inlet Fitting Kit
250-3677	Pedal Base Plate Adapter Bracket Kit for Tandem Master Cylinder
260-8419	Inline Adjustable Proportioning Valve with 1/8-27 NPT Fluid Ports
260-10922	Inline Adjustable Proportioning Valve with 3/8-24 Inverted Flare Fluid Ports
260-12627	Inline Adjustable Proportioning Valve with M10 x 1 Bubble Flare Fluid Ports
260-11179	Combination Adjustable Proportioning Valve with Brake Light Switch
220-14247	Direct Mount Bracket and Line Kit for 260-11179, Left Side Mount
260-14248	Direct Mount Combination Valve Kit with 260-11179 and 220-14247
330-13914	Manual Pushrod Kit, Universal Adjustable, Fits all 1.00" and 1.12" Bore Models