

DISC BRAKES
wilwood

COMPACT COMBINATION SIDE MOUNT MASTER CYLINDER KITS

Wilwood's Side Mount compact combination master cylinders provide the full output capacity of a standard size master cylinder in a compact, space-saving design.



MASTER CYLINDER FEATURES



- High pressure, die-cast aluminum bodies - built on newly designed tooling - eliminate casting porosity
- Proven durable bore, piston and seal design tested to survive over 100,000 high-pressure cycles
- Space saving design provides full 1.12" of stroke in an ultra-short overall length body
- Designed for side body thru-bolt mounting to brackets or chassis elements with 3.00" mount centers
- Choice of seven bore sizes with options for either 1/8-27 NPT or 3/8-24 banjo-style fluid outlets
- Fluid outlets located at the top radius of the piston bore reduces the chance of trapped air pockets
- Long lasting and corrosion resistant durable black e-coat finish
- Extreme close tolerance cut-off and equalization ports reduce take-up travel and quicken the overall system response
- Dual-coil, extra heavy-duty internal return springs provide smooth operation with positive release
- Complete kits provide options for direct or remote reservoir mounting with 4.5 or 10 ounce fluid capacity

Four Different Master Cylinder Combinations Available in One Kit

Wilwood's new compact combination master cylinder kit can be mounted with the reservoir on the master cylinder body "direct mount" (Figure 1), or the reservoir positioned at a convenient remote location "remote mount" (Figure 2), and then connected via a flexible hose.

Both versions can utilize either a large or small mount reservoir (included in the kit), as your application warrants. Refer to Figure 3 for the minimum mounting requirements before installation begins.

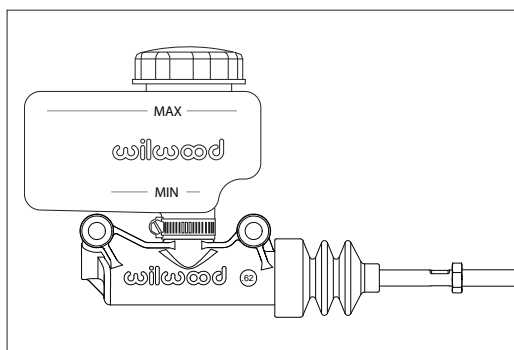


Figure 1. Direct Mounted Master Cylinder

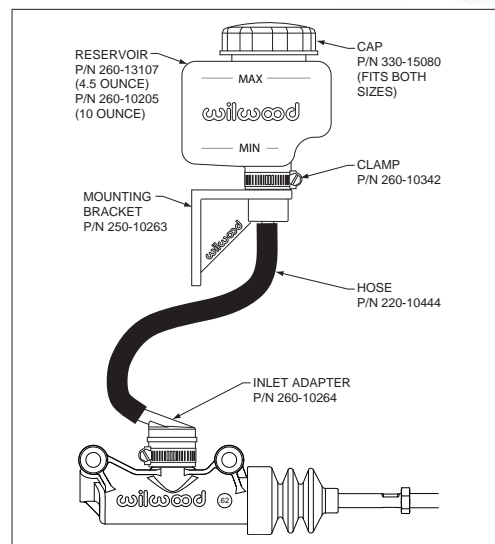


Figure 2. Remote Mounted Master Cylinder

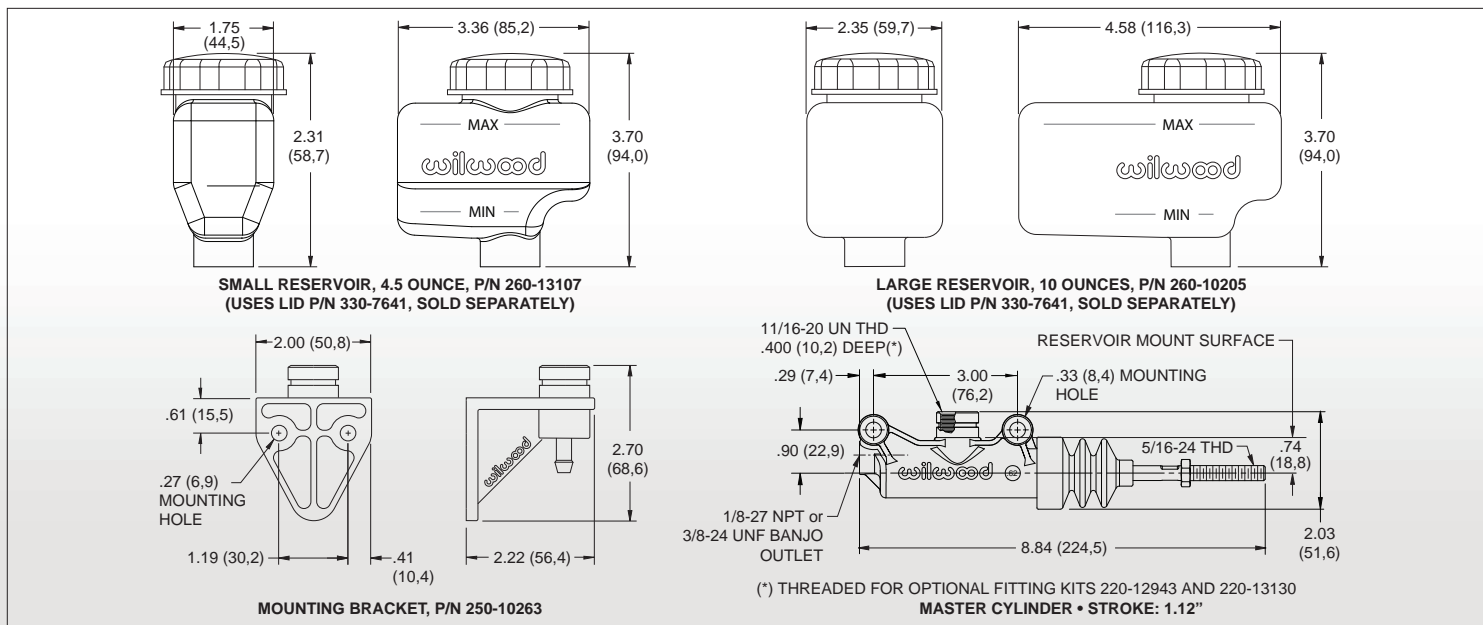


Figure 3. Minimum Mounting Requirements for Mounting Bracket, Master Cylinder and Reservoirs

ORDERING INFORMATION: Wilwood Side Mount Compact Combination Master Cylinder

| BORE SIZE | 1/8-27 NPT KIT W/RESERVOIRS | 1/8-27 NPT MC ONLY | 3/8-24 UNF BANJO KIT W/RESERVOIRS | 3/8-24 UNF BANJO MC ONLY | REBUILD KIT |
|---------------|-----------------------------|--------------------|-----------------------------------|--------------------------|-------------|
| 5/8" (15,9) | 260-12384 | 260-12378 | N/A | N/A | 260-10513 |
| 3/4" (19,1) | 260-12385 | 260-12379 | N/A | N/A | 260-10514 |
| 13/16" (20,6) | 260-12386 | 260-12380 | N/A | N/A | 260-10515 |
| 7/8" (22,2) | 260-12387 | 260-12381 | 260-13624 | 260-13616 | 260-10516 |
| 15/16" (23,8) | 260-14790 | 260-14791 | 260-14793 | 260-14794 | 260-14920 |
| 1" (25,4) | 260-12388 | 260-12382 | 260-13625 | 260-13617 | 260-10517 |
| 1-1/8" (28,6) | 260-12389 | 260-12383 | N/A | N/A | 260-10518 |