



# MITSUBISHI EVO VIII DYNAPRO BIG BRAKE REAR HAT KIT

## Models Covered:

Mitsubishi EVO VIII

2003 - 2005

## Kit Features:

- Engineered bolt-on system for street and track upgrades from OE calipers and 300mm discs to forged billet four piston calipers and 328 mm discs.
- Retains full use of OE parking brake assembly.
- Compatible with ABS and OE master cylinder output.
- Matched performance for front kits 140-9284 and 140-9285.
- Designed for use with 17" and larger wheels with minimum clearances as per the diagram on page 2.

## Component Features:

### Billet DynaPro Four Piston Radial Mount Calipers

- Rigid FEA designed forged billet body provides confident pedal response with high resistance to deflection or body separation under load.
- Four dust boot alloy pistons generated balanced clamping force and provide corrosion free durability in all conditions.
- Quick-Clip pad retainers allow easy access for pad service without caliper removal.
- Spring loaded stainless steel SRS bridge plates reduce noise by stopping pad rattle and damping the engagement harmonics that can contribute to pad squeal. Bridge wear from gouging at the pad trailing edge is also eliminated.
- Standard calipers feature Wilwood's signature and high gloss black anodizing.
- Optional high gloss red coated calipers are available as an upgrade.



Mitsubishi Big Brake Rear  
Kit with SRP Rotor

### Directional Vane 12.90" Diameter Rotors

- SRP and GT series 12.90" / 328mm rotors provide additional leverage for increased stopping power over the OE 11.81" / 300mm discs.
- Directional vane rotors provide superior cooling efficiency with increased surface area and improved air circulation between the rotor faces.
- SRP series rotors are drilled and slotted to enhance pad performance through improved cleaning, heat venting, and gas dispersion during braking. The directional drill and slot pattern is complimented with a corrosion resistant e-coat finish to provide an aggressive, high tech appearance inside the wheel.
- GT series rotors are competition prepared with asymmetrical face slotting, full detail machining, and individual dynamic balancing to deliver maximum durability and thermal stability in sustained high heat temperature conditions with smooth operation at all speeds.

### Parking Brake Drum / Hat

- The two piece rotor and drum / hat assembly allows the use of bolt-on rotors while maintaining full use of the OE internal shoe parking brake.
- Drum / hats are finished with a black zinc finish to resist corrosion and maintain a custom look inside the wheel.

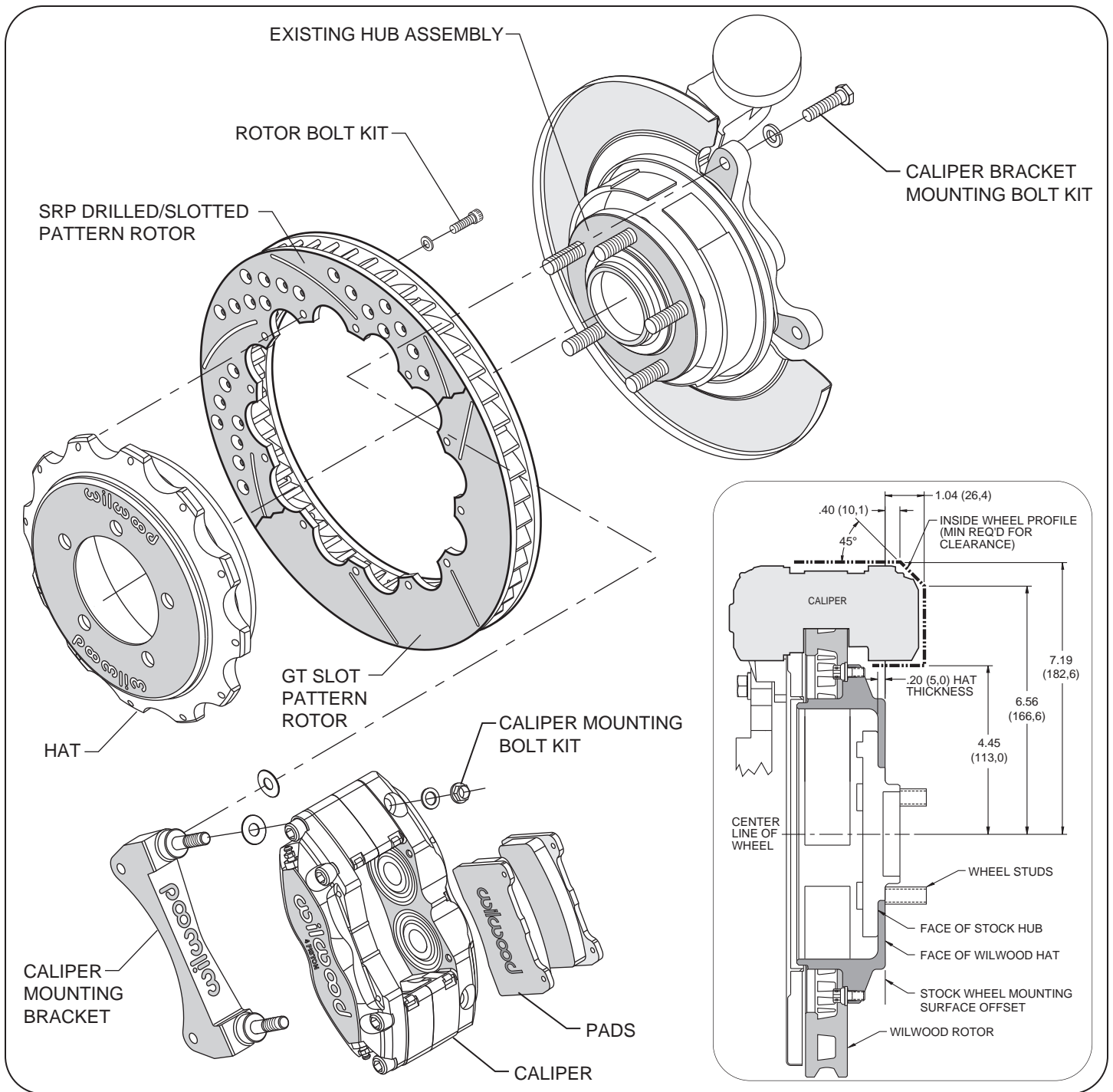
### Wilwood BP-10 "Smart Pads"

- All kits include BP-10 metallic-composite compound "Smart Pads". BP-10 delivers the increased friction, higher fade resistance, and longer wear of an entry level track pad, with virtually noise and dust free performance for the street.
- Optional race-only compounds can be ordered to suit the braking requirements at all levels of severe duty and sustained high heat competition.

### Mounting Hardware and Plumbing

- Race proven radial mount system provides two planes of adjustment for precise alignment of the caliper and pads over the rotor. Kits include billet brackets, high strength fasteners, washers, and alignment shims for an accurate and secure installation.
- Optional stainless steel flex lines, with machine crimped ends, include the fittings necessary to connect the calipers with the OE brake line fitting at the chassis. Flex line kits must be ordered separately.

Please check the diagram on the back of this page for minimum inside wheel clearance requirements



Typical Installation Diagram, Major Components Identified. Minimum Wheel Fit Dimensions Shown Inset

**ORDERING INFORMATION: BRAKE AND FLEX LINE KITS:**

MAKE / MODEL	YEAR	KIT PART NUMBERS		
		GT ROTOR KIT	SRP ROTOR KIT	FLEX LINE KITS
Mitsubishi EVO VIII	2003 - 2005	140-9286	140-9286-D	220-9288

**ORDERING INFORMATION, COMPONENTS AND SERVICE PARTS:**

KIT NUMBER	BLACK CALIPERS-R/L	RED CALIPERS-R/L	GT ROTOR-R/L	SRP ROTOR-R/L	PAD AXLE SET	DRUM/HAT	ROTOR BOLT KIT	BRACKET KIT
140-9286	120-9750	120-9750-RD	160-6833/34	—	150-8946K	170-9599	230-8217	250-9601
140-9286-D	120-9750	120-9750-RD	—	160-6835/36	150-8946K	170-9599	230-8217	250-9601