



# MITSUBISHI EVO VIII

## SUPERLITE 6R BIG BRAKE FRONT HAT KIT

### Models Covered:

Mitsubishi EVO VIII

2003 - 2005

### Kit Features:

- Engineered bolt-on system upgrades for street and track.
- Upgrade from OE calipers and 320mm discs to forged billet six piston calipers and a choice of either 332mm or 356mm discs.
- Compatible with all ABS functions and OE master cylinder output.
- Matched performance with rear kit part number 140-9286.
- Designed for use with wheels providing additional clearance as per the diagram on page 2.

### Component Features:

#### Billet Superlite Six Piston Radial Mount Calipers

- Fully machined billet forgings, based on a race proven design, demonstrate superior strength and resistance to deflection under load.
- Six differential bore stainless steel pistons increase clamping force and provide balanced pad loading for even wear with high resistance to corrosion and heat transfer.
- Spring loaded stainless steel SRS bridge plates reduce noise by stopping pad rattle and damping the engagement harmonics that can contribute to pad squeal. Bridge wear from gouging at the pad trailing edge is also eliminated.
- Center bridge bolt design adds additional strength against caliper separation and deflection under load while allowing easy access for pad service without caliper removal.
- Standard calipers feature Wilwood's signature and high gloss black anodizing.
- Optional high gloss red coated calipers available as an upgrade

#### Directional Vane 13.06" or 14.00" Rotors

- Choice of 13.06" / 332mm or 14.00" / 356mm discs provide additional leverage for increased stopping power over the OE 12.60" / 320mm disc.
- Directional vane rotors provide the highest degree of cooling efficiency with increased surface area and improved air circulation between the rotor faces. 13.06" discs feature 48 full width vanes. 14.00" discs featuring 72 staggered width vanes offer the highest cooling capacity for severe service in sustained high temperature conditions.
- SRP series rotors are drilled and slotted to enhance pad performance through improved cleaning, heat venting, and gas dispersion during braking. The directional drill and slot pattern is complimented with a corrosion resistant e-coat finish to provide an aggressive, high tech appearance inside the wheel.
- GT series rotors are competition prepared with asymmetrical face slotting, full detail machining, and individual dynamic balancing to deliver maximum durability and thermal stability in sustained high heat temperature conditions with smooth operation at all speeds.

#### Forged Aluminum Rotor Mounting Hats

- GT forged aluminum rotor hats are lightweight to reduce power robbing rotating weight and strong to handle the exceptional brake torque generated by the SL6R calipers.
- Hats are black anodized to resist corrosion and add to the aggressive competition look inside the wheel.

#### Wilwood BP-10 "Smart Pads"

- All kits include BP-10 metallic-composite compound "Smart Pads". BP-10 delivers the increased friction, higher fade resistance, and longer wear of an entry level track pad, with virtually noise and dust free performance for the street.
- Optional race-only compounds can be ordered to suit the braking requirements at all levels of severe duty and sustained high heat competition.

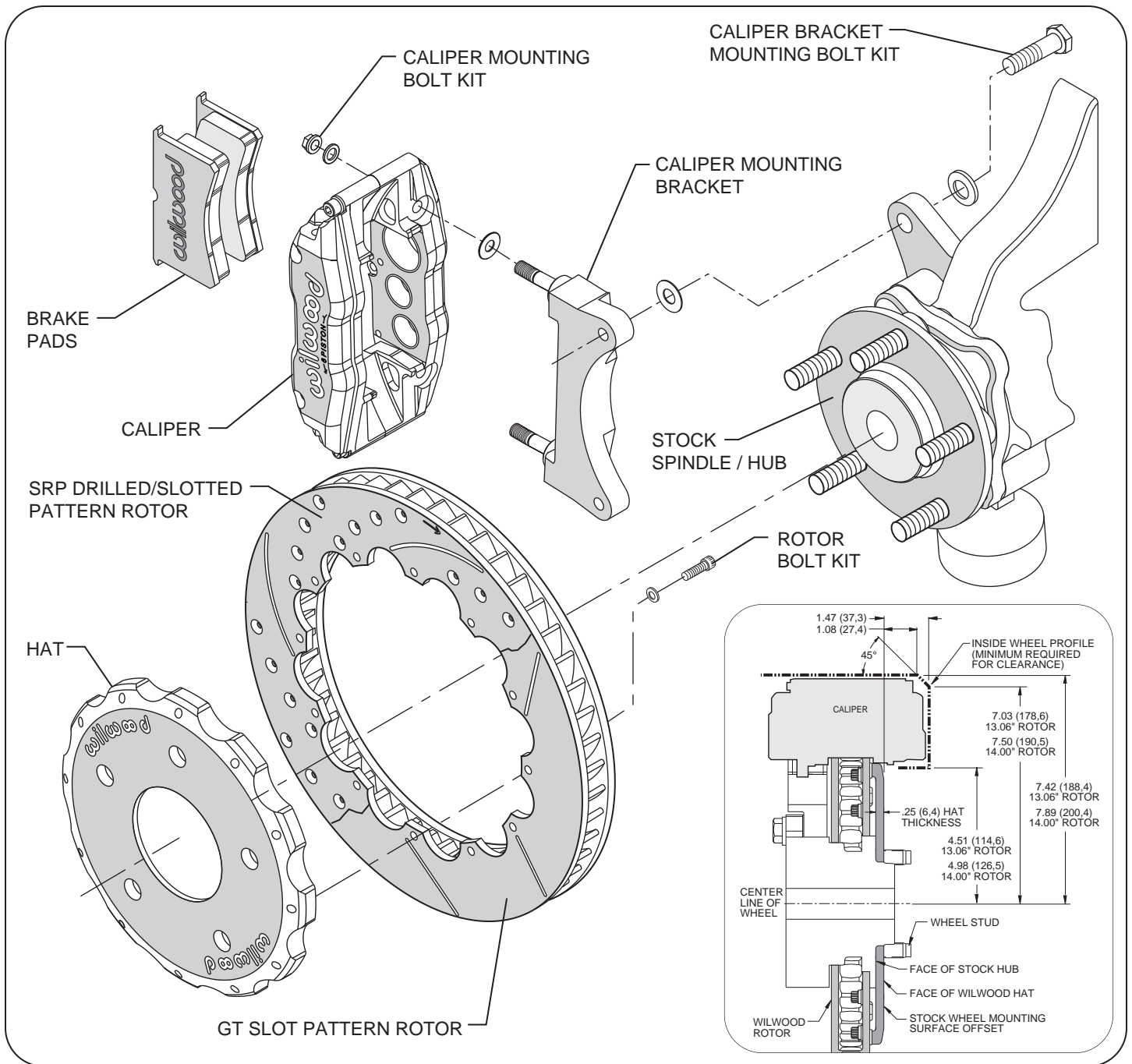
#### Mounting Hardware and Plumbing

- Race proven radial mount system provides two planes of adjustment for precise alignment of the caliper and pads over the rotor. Kits include billet brackets, high strength fasteners, washers, and alignment shims for an accurate and secure installation.
- Optional stainless steel flex lines, with machine crimped ends, include the fittings necessary to connect the calipers with the OE brake line fitting at the chassis. Flex line kits must be ordered separately.



Mitsubishi Big Brake Front Kit with SRP Rotor

Please check the diagram on the back of this page for minimum inside wheel clearance requirements



Typical Installation Diagram, Major Components Identified. Minimum Wheel Fit Dimensions Shown Inset

**ORDERING INFORMATION: BRAKE AND FLEX LINE KITS:**

MAKE / MODEL	YEAR	ROTOR SIZE	KIT PART NUMBERS		
			GT ROTOR KIT	SRP ROTOR KIT	FLEX LINE KITS
Mitsubishi EVO VIII	2003 - 2005	13.06	140-9284	140-9284-D	220-9287
Mitsubishi EVO VIII	2003 - 2005	14.00	140-9285	140-9285-D	220-9287

**ORDERING INFORMATION, USER SERVICEABLE COMPONENTS:**

PART NUMBER	BLACK CALIPERS-R/L	RED CALIPER-R/L	GT ROTOR-R/L	SRP ROTOR-R/L	AXLE SET PADS	HAT	ROTOR BOLT KIT	BRACKET KIT (EA)
140-9284	120-8000/01-RS	120-8000/01-RSR	160-8165/66	—	150-8855K	170-9558	230-4572	250-9556
140-9284-D	120-8000/01-RS	120-8000/01-RSR	—	160-7798/99	150-8855K	170-9558	230-4572	250-9556
140-9285	120-8000/01-RS	120-8000/01-RSR	160-8398/99	—	150-8855K	170-9558	230-4572	250-9557
140-9285-D	120-8000/01-RS	120-8000/01-RSR	—	160-8396/97	150-8855K	170-9558	230-4572	250-9557