



SUPERLITE 4R REAR BIG BRAKE 13" DISC / PARKING BRAKE KITS

Models Covered:

Kits are available for the popular Ford, GM and Mopar "Detroit" muscle car rear wheel drive axles. Specific axle ordering information can be found on the bottom of page 2.

Kit Features:

- Designed for full bolt-on installation as an upgrade from smaller rear discs, or as a conversion from drum brakes.
- Internal shoe parking brake provides superior holding power while neatly hidden inside the bolt-on iron disc hat.
- New rear parking brake cables are easily connected to the original equipment or aftermarket hand brake levers.
- Compatible with OE and aftermarket disc brake master cylinders.
- Matched performance with competitive styling for 13" disc and larger front Big Brake kits and custom wheel upgrades.

Component Features:

Forged Billet Superlite 4R Calipers

- High strength, FEA designed forged aluminum billet bodies provide the highest clamping efficiency and lowest deflection of any caliper in its class.
- Radial mounting provides secure attachment to the rear axle while providing two planes of adjustment for precise alignment of the caliper and pads over the rotor.
- Four dust booted pistons provide balanced pad loading while sealing out dirt, moisture and other road born debris in less than friendly environments.
- Spring loaded stainless steel SRS bridge plates reduce noise by damping engagement harmonics and eliminating pad rattle. SRS plates also extend caliper service life by eliminating bridge gouging at the pad trailing edge.
- Top loaded pads are easily inspected and serviced without the need to remove the caliper from the mount.
- Standard kits include black calipers. Optional red or polished calipers are also available.

SRP or GT Series 13.00" Diameter Rotors

- 13.00" diameter vented iron discs provide high cooling efficiency and increased leverage for big brake stopping power inside 17" and larger wheels.
- SRP directional drilled and slotted rotors enhance pad performance with consistent response by cleaning and venting gasses, dust, and burnt pad material. A silver zinc finish is applied to resist corrosion and preserve the aggressive high-tech look inside the wheel.
- GT Series rotors are competition prepared with asymmetrical face slotting, full detail machining, and individual dynamic balancing. This non-drilled version uses the additional mass to deliver improved stability in sustained high temperature applications.
- All SRP and GT rotors are close tolerance machined to less than .001" for total flatness, parallelism and run-out to assure true running at all speeds.

Wilwood BP-10 "Smart Pads"

- All kits include BP-10 metallic-composite compound "Smart Pads". BP-10 delivers the increased friction; higher fade resistance, and longer wear of an entry-level track pad, with virtually noise and dust free performance for the street.
- Optional race-only compounds can be ordered to suit the braking requirements at all levels of severe duty and sustained high heat competition.

Internal Shoe Parking Brake

- Cable actuated internal shoe assemblies generate superior holding power. The complete assembly is neatly hidden inside the rotor hat for a clean and uncluttered installation.
- Factory pre-assembled backing plates with shoes are spring loaded for positive release and rattle free operation.
- A universal cable kit for custom applications is available separately. Order part number 330-9371.

Radial Mount Caliper Brackets and Hardware

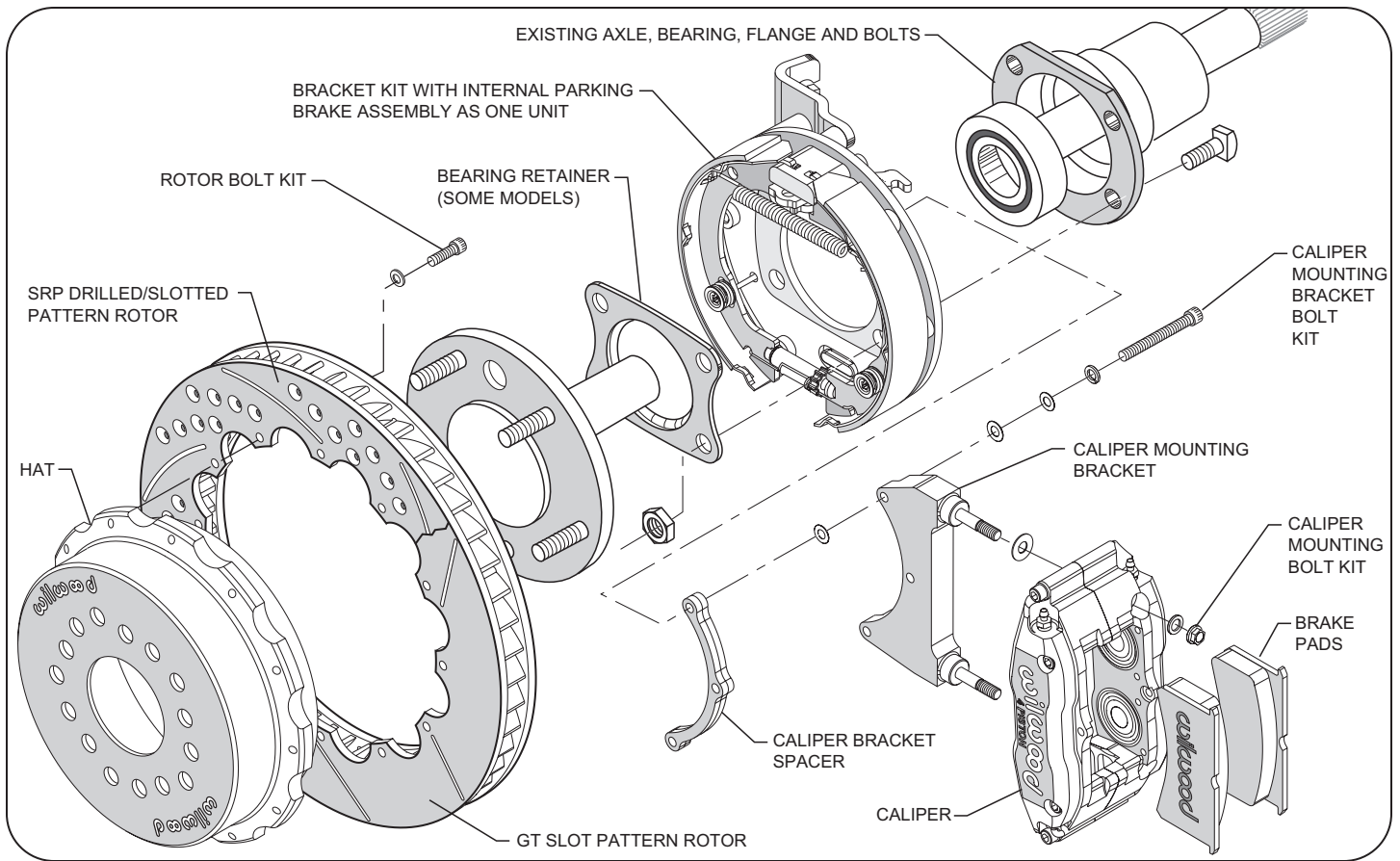
- Radial mounting provides two planes of adjustment for precise alignment of the pads and caliper over the rotor. Integral brackets secure the caliper with the parking brake assembly to the axle tube.
- Competition grade, high strength steel fasteners and alignment shims are included to complete the installation.



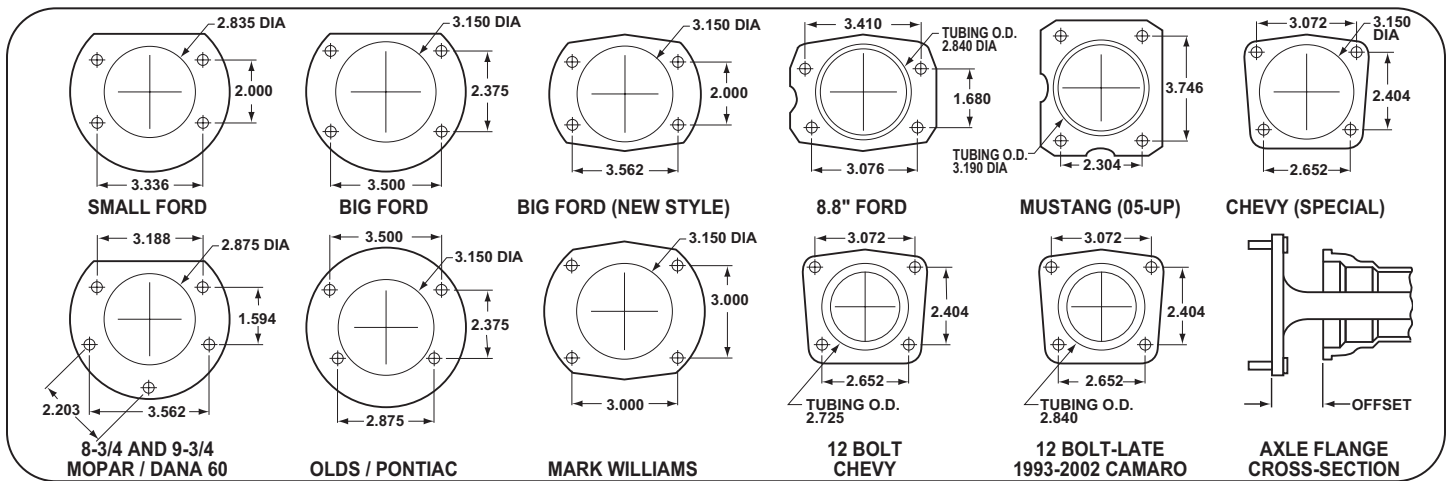
Rear Parking Brake Kit
with SRP Rotor

NOTE:

Custom built or narrowed rear axles may use axle bearings and flange offsets that are different from the original make and model of the center section. Kits must be ordered based upon the housing end flange and axle offset. Refer to the diagrams on the second page to correctly identify the kit requirements.



Typical Installation Diagram, Major Components Identified.



Rear Housing Flange Chart and Axle Flange / Offset Cross-Section

ORDERING INFORMATION:

MAKE / MODEL	FLANGE OFFSET	KIT PART NUMBERS	
		GT ROTOR KIT	SRP ROTOR KIT
Big Ford	2.36"	140-9217	140-9217-D
Big Ford, New Style	2.36"	140-9218	140-9218-D
Big Ford, New Style	2.50"	140-9219	140-9219-D
Chevy, 12 Bolt	2.81"	140-9213	140-9213-D
Chevy, 12 Bolt with 3.15 Bearing	2.81"	140-9215	140-9215-D
Ford Mustang, 2005 - Present	2.50"	140-9221	140-9221-D
Ford Mustang 8.8	2.50"	140-9223	140-9223-D
Mopar / Dana, Green Bearing with Snap Ring	2.36"	140-9222	140-9222-D
Oldsmobile / Pontiac, 1958-1964	2.81"	140-9224	140-9224-D
Small Ford	2.50"	140-9220	140-9220-D
Small Ford	2.66"	140-9216	140-9216-D