



SCION xA, xB, tC

SUPERLITE BIG BRAKE FRONT HAT KIT

Models Covered:

Scion xA, xB, tC

2004-Present

Kit Features:

- Full bolt-on installation for all models
- Compatible with OE master cylinder output and ABS
- Designed for 17" or larger wheels with minimum internal clearances illustrated on page 2

Component Features:

Forged Superlite Four Piston Calipers

- Four opposed pistons generate high clamping force for positive stops and balanced pad loading for even wear.
- FEA designed, forged billet aluminum bodies reduce structural deflection and the subsequent increase in fluid volume displacement that occurs with high pressure from power brake boosters under hard braking with OE calipers. Pedal travel, system response, and pad wear characteristics are dramatically improved.
- Stainless steel pistons reduce heat transfer and resist corrosion for cooler running and extended service life from the seals, fluid, and caliper bores.
- Spring loaded stainless steel SRS bridge plates reduce noise by damping engagement harmonics and stopping pad rattle. Bridge wear from gouging at the pad trailing edge is also eliminated.
- Center bridge bolts provide added strength against deflection under load and secure retention of the brake pads. The top loaded pads can be easily accessed for service without the need to dismount the caliper.



Scion Big Brake Front Kit
with SRP Rotor

SRP or GT Series 13" Diameter Directional Vane Rotors

- 13" diameter provides increased stopping leverage over smaller OE production rotors.
- 48 vane directional design is precision cast from premium grade, long grain carbon iron to provide high cooling efficiency and resistance to thermal distortion and fatigue.
- SRP Series rotors are e-coated to resist corrosion and feature an engineered directional drill and slot pattern for an aggressive high tech appearance inside the wheel. The holes and slots enhance pad performance by reducing pad glazing and dispersing the gasses and some of heat generated during braking.
- GT Series rotors are competition prepared with asymmetrical face slotting, full detail machining, and individual dynamic balancing. This non-drilled version uses the additional mass to deliver improved stability in sustained high temperature applications.

Forged Aluminum Rotor Mounting Hats

- Premium grade alloy forged aluminum hats are lightweight and provide sturdy mounting of the vented iron rotors over the OE hub assembly.
- High luster black anodized finish resists corrosion and enhances the custom appearance inside the wheel.

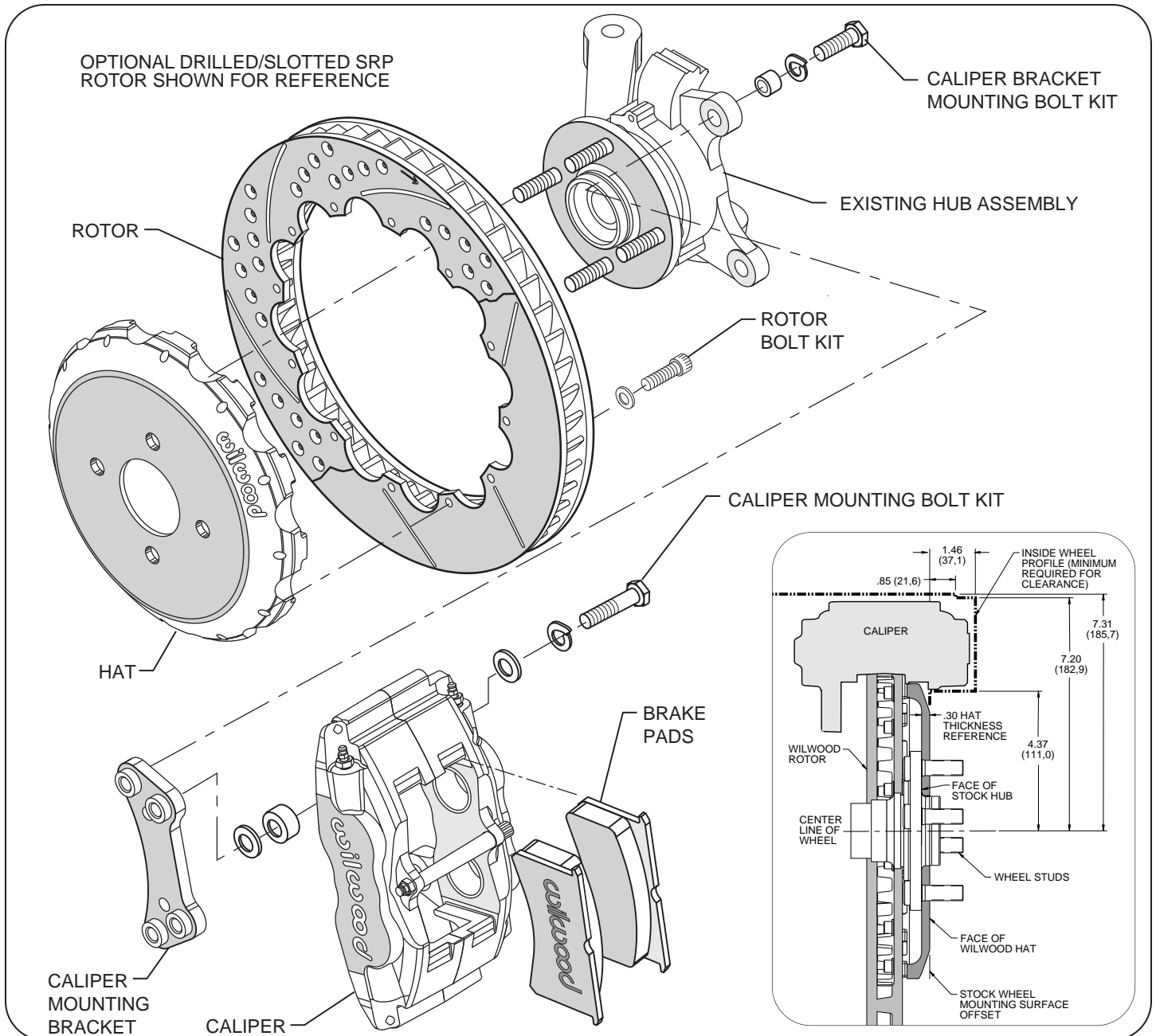
Wilwood BP-10 "Smart Pads"

- BP-10 compound "Smart Pads" are a remarkable new metallic composite formula that combines the quiet, low dust operation of a high performance street pad with the increased friction and higher fade resistance of a medium range, racing compound.

Mounting Hardware and Plumbing

- Machined billet brackets, with steel threaded inserts, provide sturdy caliper mounting to the OE mounting bosses. All necessary high strength fasteners, washers, and alignment shims are included with each kit.
- Optional flex line kits include stainless steel reinforced hoses with machine crimped ends and the fittings necessary to connect the calipers to the OE brake line fitting at the chassis. Flex line kits must be ordered separately.

Please check the diagram on the back of this page for minimum inside wheel clearance requirements



Typical Installation Diagram, Major Components Identified. Minimum Wheel Fit Dimensions Shown Inset

ORDERING INFORMATION: BRAKE AND FLEX LINE KITS:

MAKE / MODEL	YEAR	GT ROTOR KIT	KIT PART NUMBERS		FLEX LINE KITS
			SRP ROTOR KIT		
Scion xA, xB	2004 - Present	140-8335	140-8335-D		220-8336
Scion tC	2004 - Present	140-9013	140-9013-D		220-8336

ORDERING INFORMATION: USER SERVICEABLE COMPONENTS, PART NUMBER:

KIT NUMBER	CALIPER	PAD SET	ROTOR	HAT	ROTOR BOLT KIT	MOUNT BRACKET	CALIPER MOUNT BOLT KIT	MOUNT BRACKET BOLT KIT
140-8335	120-7432-R/L	150-8855K	160-6833/34	170-8357	230-4572	250-8358	230-8356	230-8355
140-8335-D	120-7432-R/L	150-8855K	160-6835/36	170-8357	230-4572	250-8358	230-8356	230-8355
140-9013	120-8464-R/L	150-8855K	160-6833/34	170-9011	230-4572	250-9012	230-9015	230-9014
140-9013-D	120-8464-R/L	150-8855K	160-6835/36	170-9011	230-4572	250-9012	230-9015	230-9014