



# BMW MINI • 2014-PRESENT DYNAPRO 4R / MC4 REAR BRAKE KITS

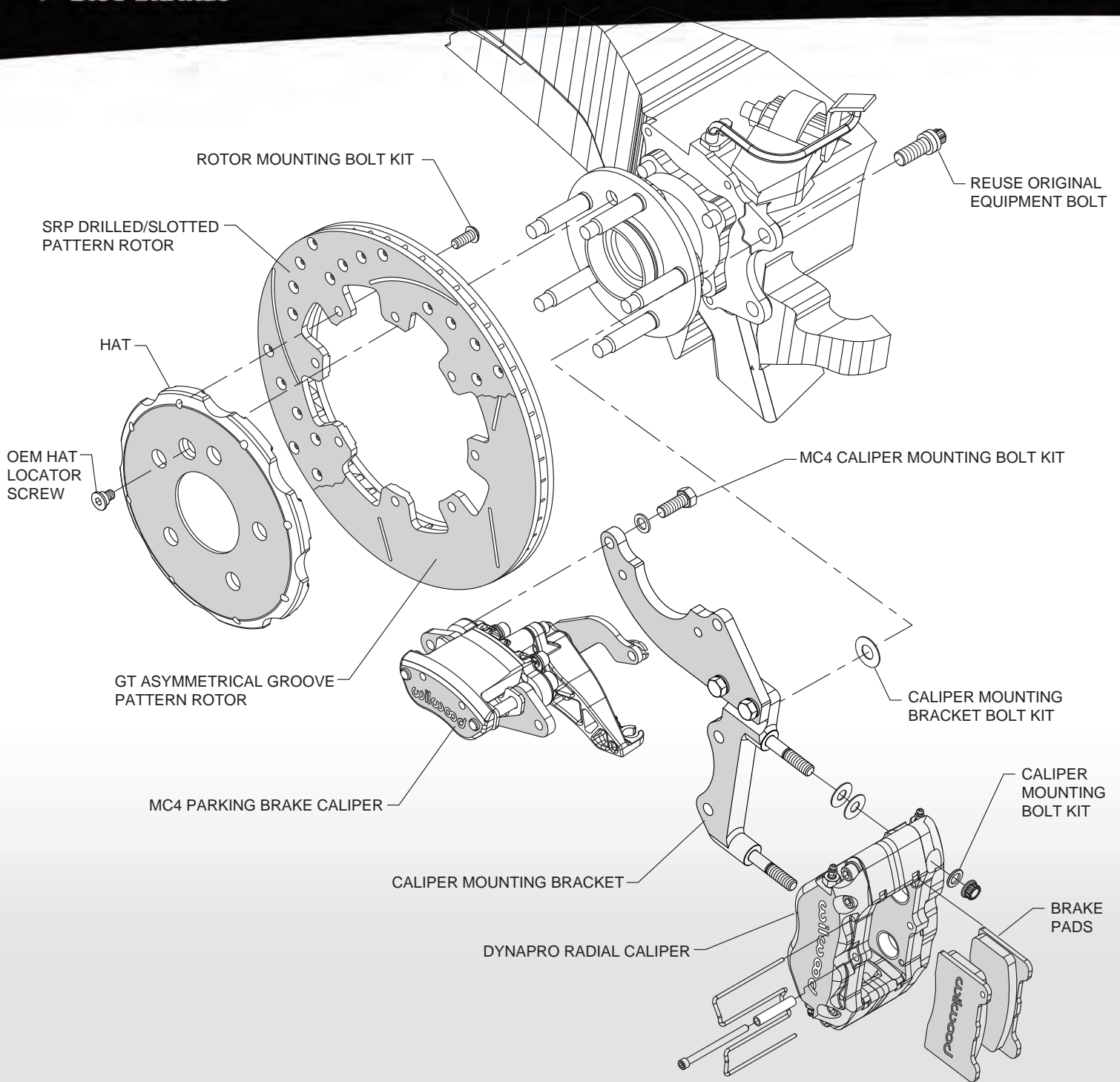
*DynaPro 4R / MC4 Rear Brake kits for the 2014-present BMW Mini combine the track proven endurance and high-tech styling of the DynaPro 4R caliper with an integrated MC4 parking brake caliper and 12.19" diameter rotors.*



## **Kit Features**



- DynaPro four piston radial mount forged aluminum calipers with stainless steel pistons
- MC4 mechanical parking brake calipers with cable adapter kit
- 12.19" diameter directional vane GT competition or SRP drilled and slotted rotors with aluminum hats
- BP-10 metallic - composite compound *SmartPads*
- Fully compatible with factory master cylinder output and all ABS controls
- Calipers available with choice of gloss red or black powder coat
- All inclusive kit complete with DOT approved stainless steel braided flexlines and hardware
- Kits include a detailed guide with step-by-step instructions of the fully bolt-on installation
- Bias-matched with Wilwood SL6R six piston front big brake kits



## ORDERING INFORMATION: Complete Rear Brake Kits for 2014-Present BMW Mini

PART NUMBER	DESCRIPTION	CALIPER FINISH
<a href="#">140-15219</a>	DynaPro 4R with MC4 Parking Brake Calipers, 12.19" GT Competition Series Rotors	Black Powder Coat
<a href="#">140-15219-D</a>	DynaPro 4R with MC4 Parking Brake Calipers, 12.19" SRP Drilled and Slotted Rotors	Black Powder Coat
<a href="#">140-15219-R</a>	DynaPro 4R with MC4 Parking Brake Calipers, 12.19" GT Competition Series Rotors	Red Powder Coat
<a href="#">140-15219-DR</a>	DynaPro 4R with MC4 Parking Brake Calipers, 12.19" SRP Drilled and Slotted Rotors	Red Powder Coat