



## CHRYSLER/DODGE/PLYMOUTH C-BODY • 1965 - 1972 DYNALITE, DYNAPRO AND SUPERLITE FRONT BRAKE KITS

*Forged Dynalite, DynaPro 6 and Superlite 6R front brake kits for the 1965-1972 Chrysler/Dodge/Plymouth (CDP) C-Body combines cutting-edge technology with high-tech styling to deliver track proven endurance and big brake performance for the street, track or show.*

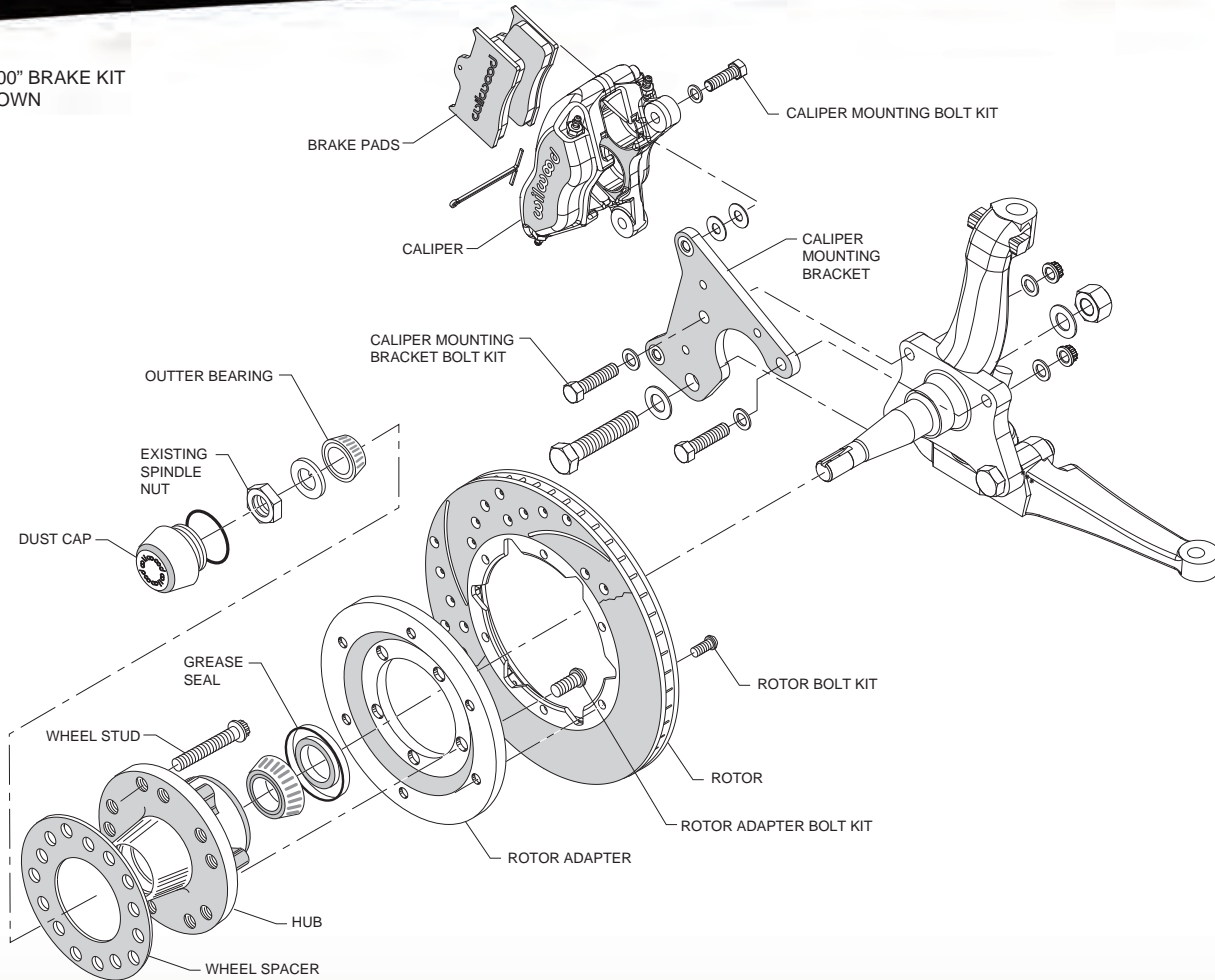


### Kit Features



- Select either a forged Dynalite four piston caliper, or a DynaPro or Superlite six piston caliper
- Dynalite calipers are available black anodized or red powder coat; DynaPro and Superlite calipers available either gloss black or red powder coat
- 11.00" or 12.19" diameter vented iron ULHP smooth face or SRP drilled and slotted rotors are available with the Dynalite or DynaPro caliper
- 12.88" or 14.00" diameter GT slotted or SRP drilled and slotted **Spec37** alloy directional vane rotors are available with Superlite calipers
- BP-10 compound composite metallic *SmartPads*
- Fully bolt-on kits complete with brackets, hardware and detailed installation instructions
- Fits original equipment drum brake spindles

DYNALITE 11.00" BRAKE KIT  
DRAWING SHOWN



## ORDERING INFORMATION: Front Brake Kits for 1965-1972 CDP C-Body

PART NUMBER	DESCRIPTION	CALIPER FINISH
<a href="#">140-15196</a>	Dynalite Calipers, 11.00" ULHP Plain Face Rotors	Black Anodize
<a href="#">140-15196-D</a>	Dynalite Calipers, 11.00" SRP Drilled and Slotted Rotors	Black Anodize
<a href="#">140-15196-R</a>	Dynalite Calipers, 11.00" ULHP Plain Face Rotors	Red Powder Coat
<a href="#">140-15196-DR</a>	Dynalite Calipers, 11.00" SRP Drilled and Slotted Rotors	Red Powder Coat
<a href="#">140-15197</a>	Dynalite Calipers, 12.19" ULHP Plain Face Rotors	Black Anodize
<a href="#">140-15197-D</a>	Dynalite Calipers, 12.19" SRP Drilled and Slotted Rotors	Black Anodize
<a href="#">140-15197-R</a>	Dynalite Calipers, 12.19" ULHP Plain Face Rotors	Red Powder Coat
<a href="#">140-15197-DR</a>	Dynalite Calipers, 12.19" SRP Drilled and Slotted Rotors	Red Powder Coat
<a href="#">140-15198</a>	DynaPro 6 Calipers, 12.19" ULHP Plain Face Rotors	Black Powder Coat
<a href="#">140-15198-D</a>	DynaPro 6 Calipers, 12.19" SRP Drilled and Slotted Rotors	Black Powder Coat
<a href="#">140-15198-R</a>	DynaPro 6 Calipers, 12.19" ULHP Plain Face Rotors	Red Powder Coat
<a href="#">140-15198-DR</a>	DynaPro 6 Calipers, 12.19" SRP Drilled and Slotted Rotors	Red Powder Coat
<a href="#">140-15199</a>	Superlite 6R Calipers, 12.88" <b>Spec37</b> GT Competition Series Rotors	Black Powder Coat
<a href="#">140-15199-D</a>	Superlite 6R Calipers, 12.88" <b>Spec37</b> SRP Drilled and Slotted Rotors	Black Powder Coat
<a href="#">140-15199-R</a>	Superlite 6R Calipers, 12.88" <b>Spec37</b> GT Competition Series Rotors	Red Powder Coat
<a href="#">140-15199-DR</a>	Superlite 6R Calipers, 12.88" <b>Spec37</b> SRP Drilled and Slotted Rotors	Red Powder Coat
<a href="#">140-15200</a>	Superlite 6R Calipers, 14.00" <b>Spec37</b> GT Competition Series Rotors	Black Powder Coat
<a href="#">140-15200-D</a>	Superlite 6R Calipers, 14.00" <b>Spec37</b> SRP Drilled and Slotted Rotors	Black Powder Coat
<a href="#">140-15200-R</a>	Superlite 6R Calipers, 14.00" <b>Spec37</b> GT Competition Series Rotors	Red Powder Coat
<a href="#">140-15200-DR</a>	Superlite 6R Calipers, 14.00" <b>Spec37</b> SRP Drilled and Slotted Rotors	Red Powder Coat