



DODGE SERIES • 2012-PRESENT FRONT AEROLITE 6R 14.25" BRAKE KIT

Aerolite 6R Front Brake kits

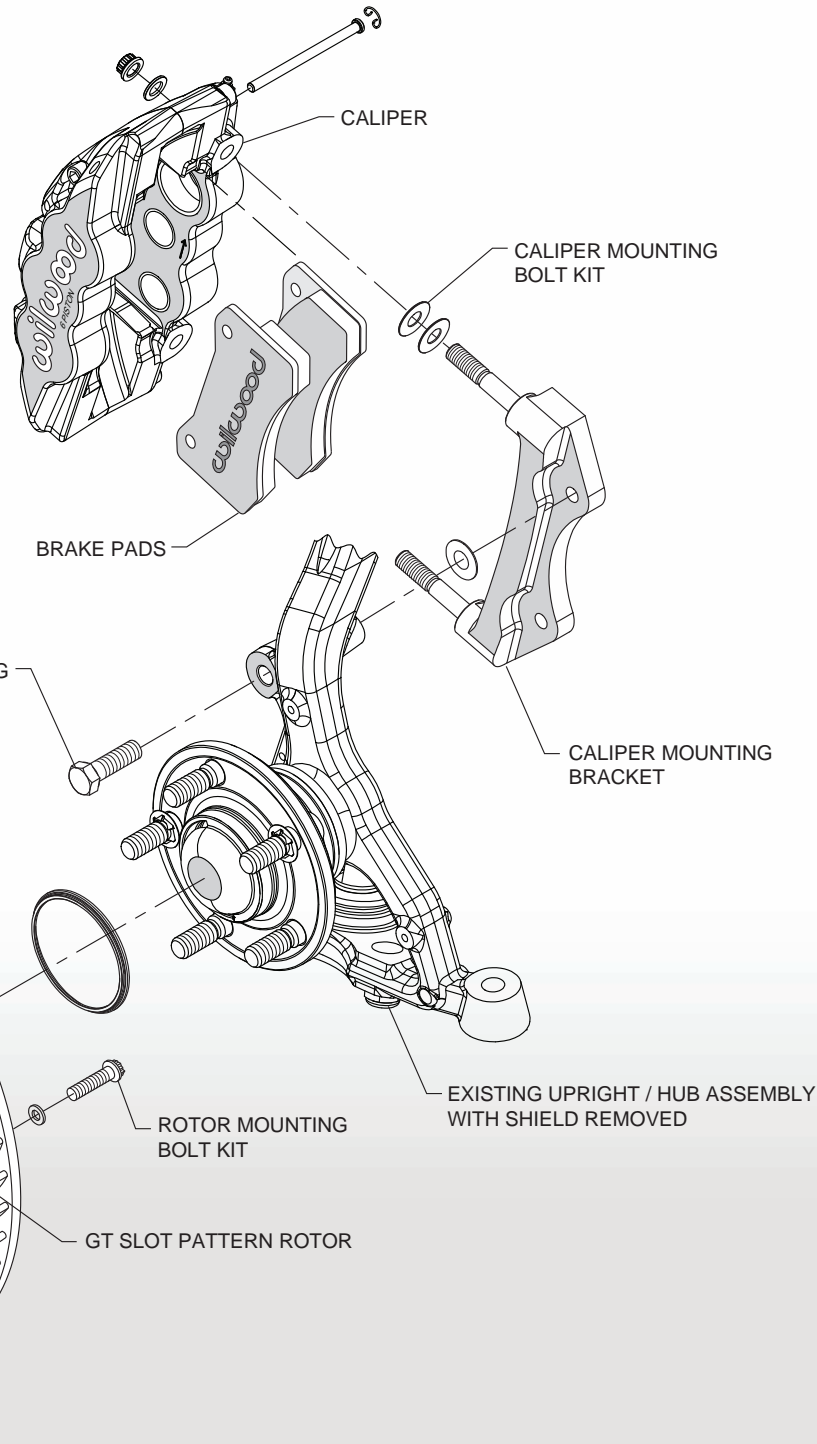
for the Dodge Challenger and Charger combine cutting edge technology with high-tech styling to deliver track proven endurance and big brake performance for the street, track, or show.



Kit Features



- Aerolite six piston radial mount forged aluminum calipers
- Fits inside most 18" wheels⁽¹⁾
- 14.25" x 1.25" staggered vane **Spec 37** alloy SRP drilled and slotted rotors for street, or GT slotted only for street and track
- BP-10 compound *SmartPads* with optional tuning compounds available
- Fully compatible with OE ABS and master cylinder output
- Choice of gloss black or red powder coat calipers
- DOT approved stainless steel braided flexlines are included
- Options for dedicated race-only pads and Thermlock[®] pistons
- Bolt-on kits complete with detailed installation guide



ORDERING INFORMATION:

PART NUMBER	DESCRIPTION	ROTOR TYPE
140-14067	Front Kit, Dodge Challenger and Charger with Black Aerolite 6R Calipers, 14.25" Spec 37 Rotors	GT
140-14067-D	Front Kit, Dodge Challenger and Charger with Black Aerolite 6R Calipers, 14.25" Spec 37 Rotors	SRP
140-14067-R	Front Kit, Dodge Challenger and Charger with Red Aerolite 6R Calipers, 14.25" Spec 37 Rotors	GT
140-14067-DR	Front Kit, Dodge Challenger and Charger with Red Aerolite 6R Calipers, 14.25" Spec 37 Rotors	SRP