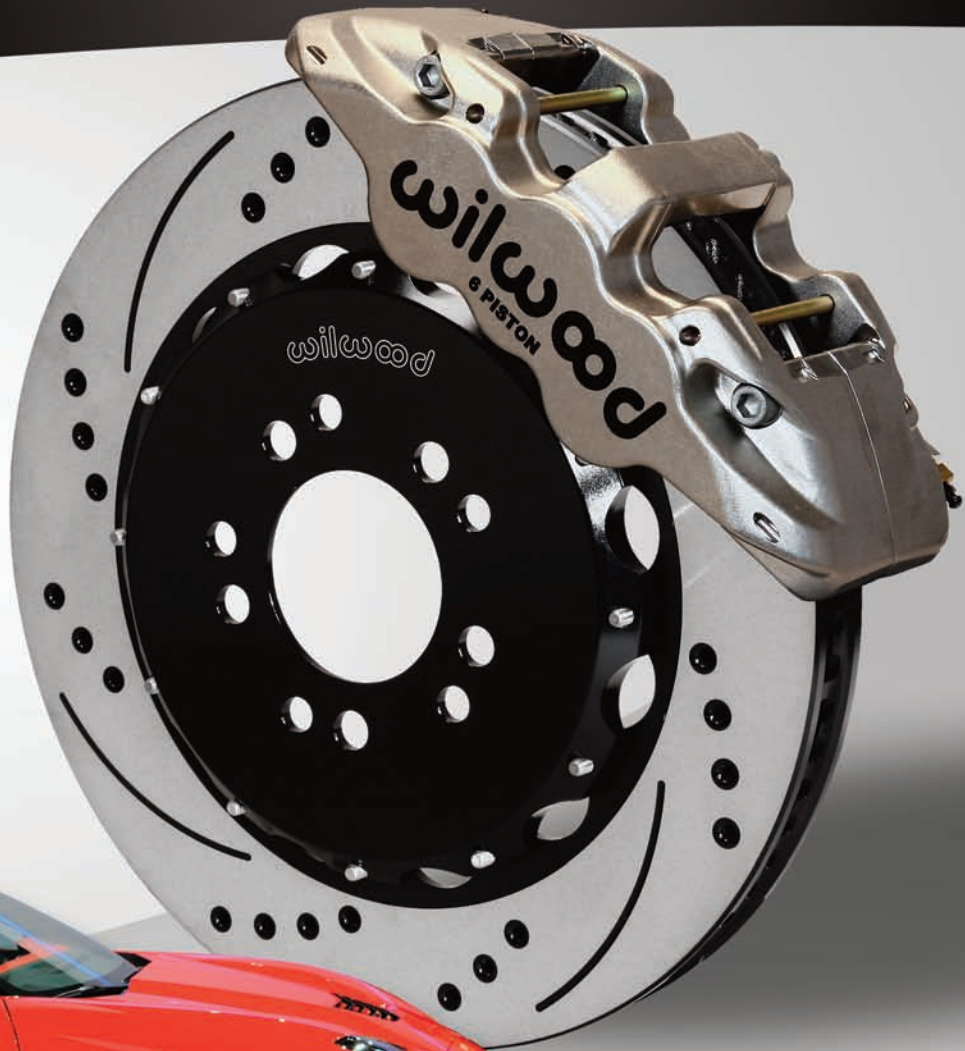




## C7 CORVETTE • 2014-PRESENT FRONT AEROLITE 6R BRAKE KIT

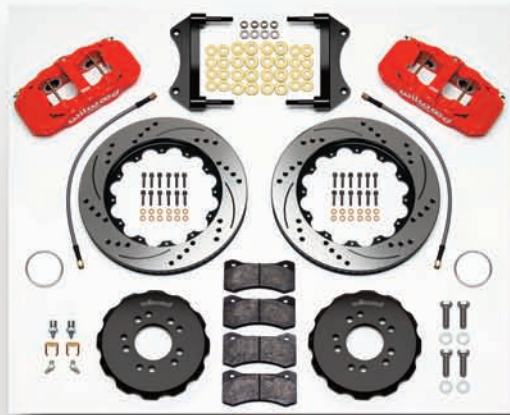
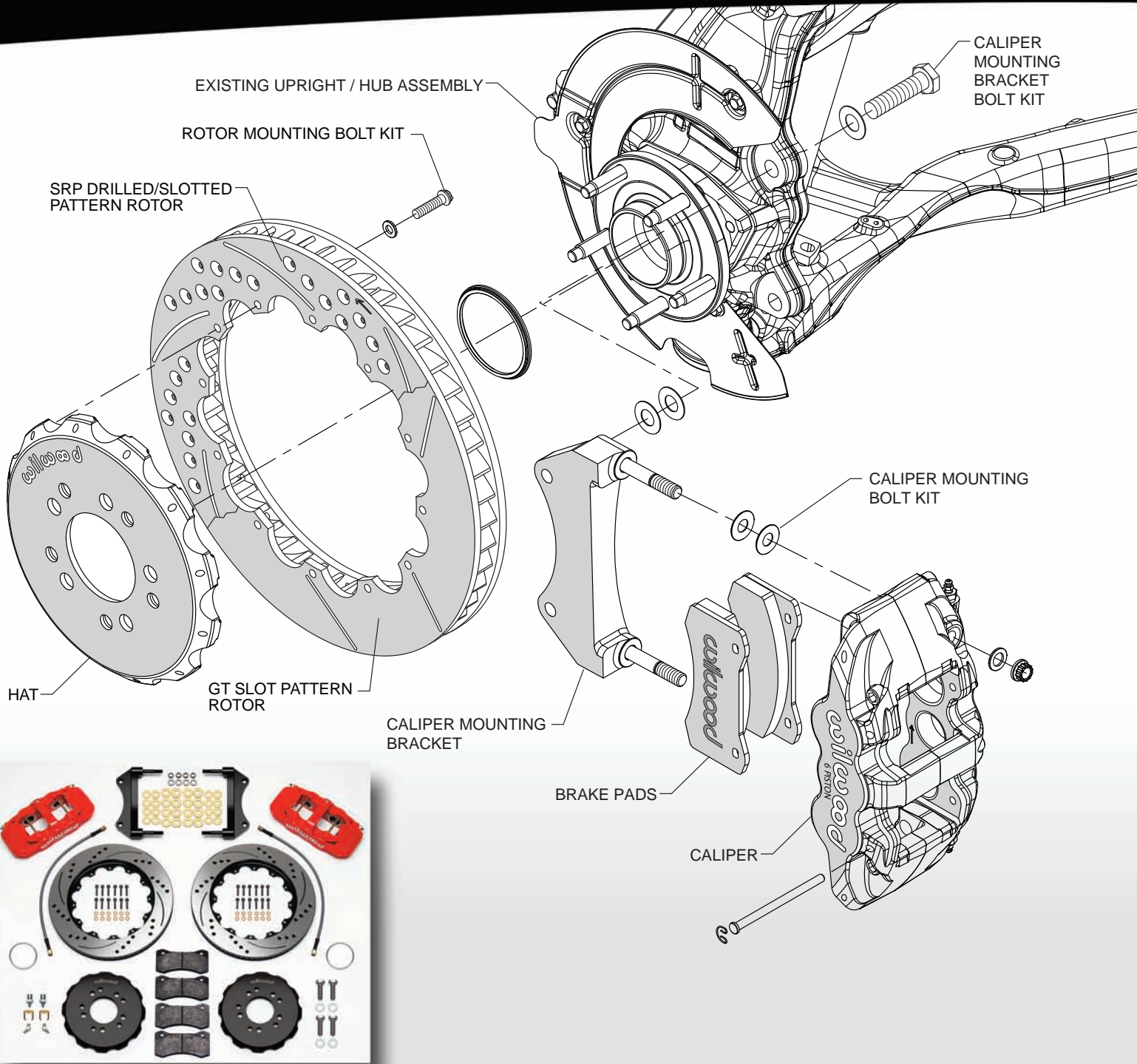
*Aerolite 6R Front Brake kits for the C7 Chevrolet Corvette combine cutting edge technology with high-tech styling to deliver track proven endurance and big brake performance for the street, track, or show.*



### **Kit Features**



- Aerolite 6-piston radial mount forged aluminum calipers
- Fits inside OEM 18" wheels<sup>(1)</sup>
- 14.25" x 1.25" staggered vane **Spec 37** alloy SRP drilled and slotted rotors for street, or GT slotted only for street and track
- BP-10 compound Smart Pads in all SRP rotor kits and BP-20 Dual-Sport pads in GT rotor kits
- Fully compatible with ABS and OE master cylinder output
- Choice of gloss black, red, or Quick-Silver nickel plate calipers
- DOT approved stainless steel braided flexlines included
- Options for dedicated race-only pads and Thermlock<sup>®</sup> pistons
- Simple bolt-on kit complete with all the necessary hardware and a detailed installation guide



## ORDERING INFORMATION:

PART NUMBER	DESCRIPTION
<a href="#">140-13697</a>	Front Kit, All C7 with Black Aerolite 6R Calipers, 14.25" GT <b>Spec 37</b> rotors, BP-20 Smart Pads
<a href="#">140-13697-D</a>	Front Kit, All C7 with Black Aerolite 6R Calipers, 14.25" SRP <b>Spec 37</b> rotors, BP-10 Smart Pads
<a href="#">140-13697-R</a>	Front Kit, All C7 with Red Aerolite 6R Calipers, 14.25" GT <b>Spec 37</b> rotors, BP-20 Smart Pads
<a href="#">140-13697-DR</a>	Front Kit, All C7 with Red Aerolite 6R Calipers, 14.25" SRP <b>Spec 37</b> rotors, BP-10 Smart Pads
<a href="#">140-13697-N</a>	Front Kit, All C7 with Quick-Silver Aerolite 6R Calipers, 14.25" GT <b>Spec 37</b> rotors, BP-20 Smart Pads
<a href="#">140-13697-DN</a>	Front Kit, All C7 with Quick-Silver Aerolite 6R Calipers, 14.25" SRP <b>Spec 37</b> rotors, BP-10 Smart Pads