

Dynalite Classic Series Front disc brake kits combine modern technology with contemporary styling in an affordable package that delivers confident and consistent stopping power with 14" or 15" wheels on your classic era Mustang.

Kit Features:

- Complete bolt-on installation on OE disc or drum brake V8 Spindles
- Engineered for the 5-lug 1965-1973 Ford Mustang
- Fully compatible with manual or power assisted systems
- BP-10 metallic-composite compound Smart Pads
- Vented plain-face or drilled and slotted rotors



Component Features:

 Made in USA

Calipers

- Forged Dynalite 4-piston calipers designed for optimal wheel clearance
- Stainless Steel pistons for corrosion resistance and reduced heat transfer to fluid and seals
- Superior clamping power in a truly lightweight, rigid and reliable design
- Black anodized or red powder coat finishes

Brake Pads

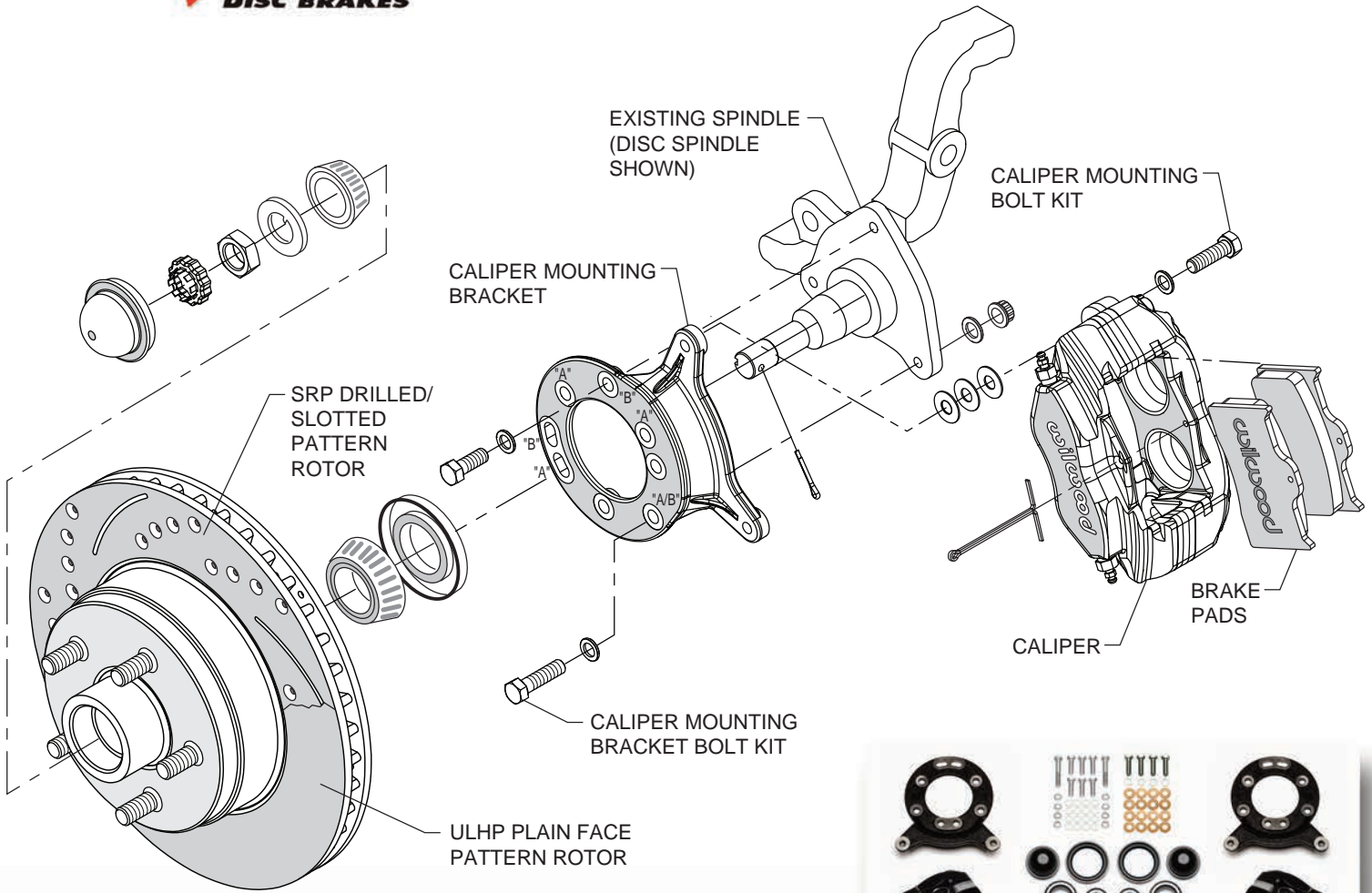
- BP-10 metallic-composite compound *Smart Pads*
- Increased friction, higher fade resistance, and longer wear
- Virtually noise and dust free street performance

Rotors (11.30" diameter x .94")

- 1-piece rotors are precision machined for smoother engagement and provide long service life, superior thermal stability and improved fatigue resistance
- Vented plain-face or drilled and slotted rotors available
- Durable e-coat finish prevents corrosion - provided on all drilled and slotted rotors

Hardware

- Caliper brackets and premium hardware
- Jacketed stainless steel braided, DOT approved flexlines
- Bearings, seals, and dust caps included
- Detailed installation instructions



ORDERING INFORMATION:

PART NUMBER	DESCRIPTION
140-13476	Front Kit, 1965-1969 Ford Mustang, FDL Caliper, 11.30" ULHP Rotor, Black Caliper
140-13476-D	Front Kit, 1965-1969 Ford Mustang, FDL Caliper, 11.30" SRP Drilled and Slotted Rotor, Black Caliper
140-13476-DR	Front Kit, 1965-1969 Ford Mustang, FDL Caliper, 11.30" SRP Drilled and Slotted Rotor, Red Caliper
140-13476-R	Front Kit, 1965-1969 Ford Mustang, FDL Caliper, 11.30" ULHP Rotor, Red Caliper
140-13477	Front Kit, 1970-1973 Ford Mustang, FDL Caliper, 11.30" ULHP Rotor, Black Caliper
140-13477-D	Front Kit, 1970-1973 Ford Mustang, FDL Caliper, 11.30" SRP Drilled and Slotted Rotor, Black Caliper
140-13477-DR	Front Kit, 1970-1973 Ford Mustang, FDL Caliper, 11.30" SRP Drilled and Slotted Rotor, Red Caliper
140-13477-R	Front Kit, 1970-1973 Ford Mustang, FDL Caliper, 11.30" ULHP Rotor, Red Caliper