



# DYNALITE CLASSIC SERIES FRONT DISC BRAKE CONVERSION KIT FOR 1961-1965 BUICK

## Models Covered:

- 1961-1964 Buick Electra, Invicta, LeSabre and Wildcat (Except Special, Skylark and Sport Wagon)
- 1963-1965 Riviera Only

## Kit Features:

- Front disc brake conversion provides improved stopping power for added safety and driving comfort while maintaining an unmodified outward appearance with Original Equipment (OE) or classic styled wheels.
- Fully bolt-on installation requires no modifications to spindles or suspension. Original components can be reinstalled when factory authenticity may be preferred.
- Fully compatible with OE master cylinder output when a modern tandem outlet master cylinder will not be used.

## Component Features:

### Dynalite Forged Billet Four Piston Calipers

- Dynalite calipers provide big brake stopping power, rugged durability, and a long, corrosion free service life from the FEA computer designed forged billet aluminum body.
- Stainless steel pistons provide additional corrosion resistance while reducing the direct transfer of heat from the pads to the caliper body, fluid, and seals.
- The internal piston seal-in-bore design adds proven durability with keeping the fluid in and dirt out without the need for external boot seals.
- Black anodized finish provides additional resistance to oxidation inside and out to maintain performance and preserve their high-tech style and appearance.

### ULHP Integrated Hub / Rotor

- Replacement rotors provide the highest degree of cooling efficiency with increased surface area and improved air circulation between the rotor faces.
- ULHP rotors provide high performance and rugged durability for a wide range of applications, including long distance touring events. Rotors are cast from premium grade, long grain carbon iron.
- Hubs include bearings, seals, spacers, and dust caps.

### BP-10 Compound "Smart Pads"

- BP-10 metallic composite compound "Smart Pads" provide high friction, high temperature fade resistance, and immediate positive response without the noise, dust, and rotor abrasion that is normally associated with OE type semi-metallic style pads.

### Hardware and Plumbing

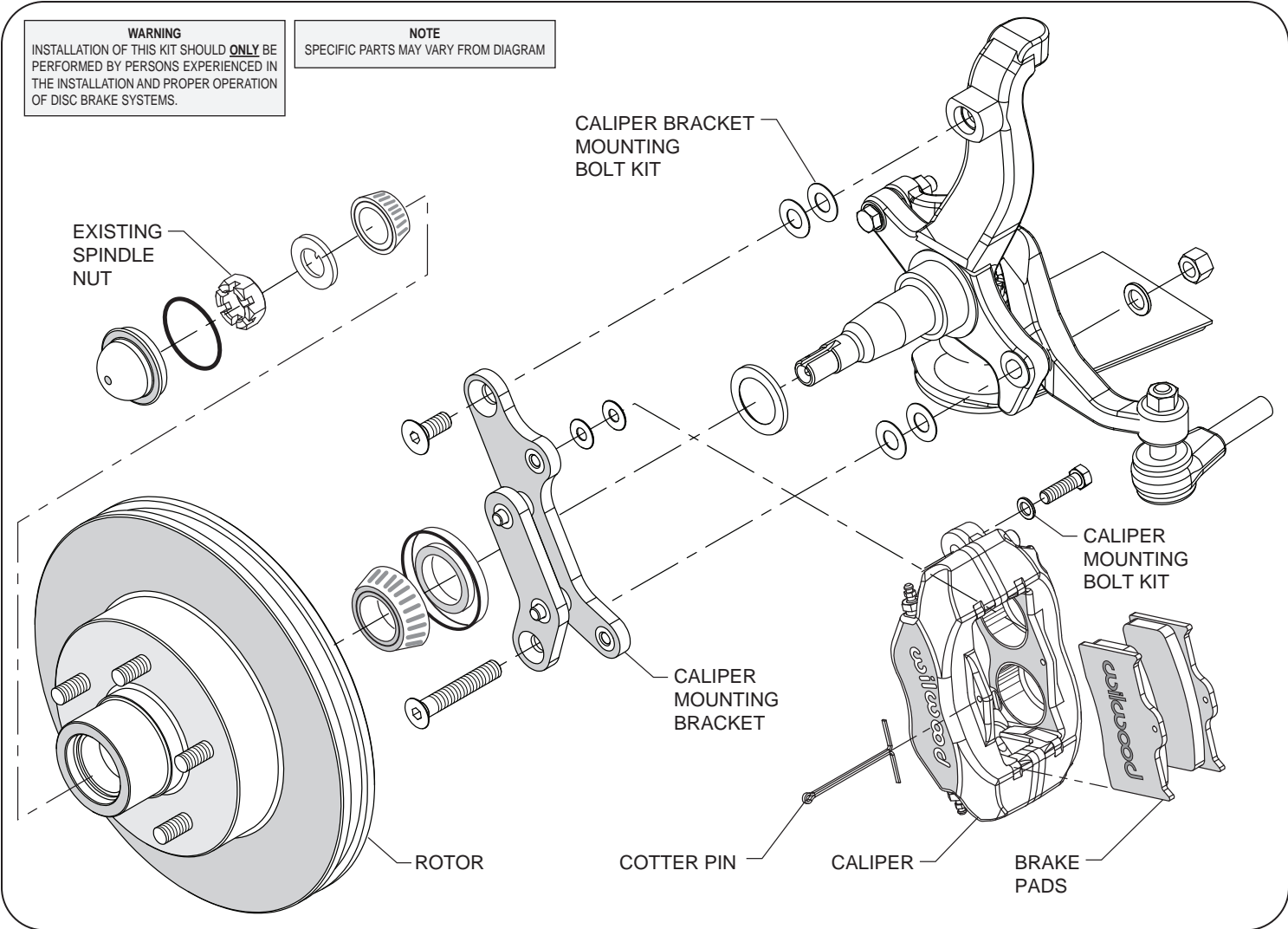
- Caliper brackets, alignment shims, all premium grade fasteners, and a detailed installation guide are included with each kit.
- Jacketed stainless steel braided, DOT approved flexline kits are available in various lengths for this application and are sold separately.



Front Dynalite Classic Series Kit

**WARNING**  
 INSTALLATION OF THIS KIT SHOULD **ONLY** BE PERFORMED BY PERSONS EXPERIENCED IN THE INSTALLATION AND PROPER OPERATION OF DISC BRAKE SYSTEMS.

**NOTE**  
 SPECIFIC PARTS MAY VARY FROM DIAGRAM



**Typical Installation Diagram**

**ORDERING INFORMATION:**

**PART NUMBER**

140-13028

**DESCRIPTION**

Front Kit, Buick/Riviera, Dynalite Caliper, 11.88" HP Plain Face Rotor