



DYNAPRO 6 FRONT BRAKE KIT FOR 1968-70 IMPALA / 1969-82 CORVETTE

Models Covered:

- 1969-1970 Chevrolet Impala (drum spindle)
- 1968-1970 Chevrolet Impala (disc spindle)
- 1969-1982 Chevrolet Corvette

Kit Features:

- Six piston calipers and 12.19" diameter rotors provide an aggressive look with high end stopping power in most 16" and 17" wheels.
- Configured for custom street cars that also enjoy time at the strip or the occasional trip around the parking lot cones and track day fun events.
- Installs on OE disc/drum brake front spindles with no modifications.
- Compatible with manual and power brake systems.



Front Kit with SRP Rotor and Red Caliper

Component Features:

DynaPro 6 Forged Billet Lug Mount Calipers

- Fully detail machined forged billet DP6 calipers provide positive, big brake stopping power with a substantial weight reduction over the OE cast iron calipers, and more than a 14% increase in pad area and volume compared to standard Dyalite four piston models.
- Six differential bore stainless steel pistons generate big brake clamping power with balanced pad loading for even wear in all types of high demand braking applications.
- Stainless steel pistons resist corrosion while slowing the heat transfer rate from the pads to the caliper body.
- The internal piston seal-in-bore design adds proven durability with keeping the fluid in and dirt out without the need for external boot seals.
- Quick-E clip pad retention pins simplify pad service without the need for caliper removal.
- High temperature, fluid resistant, gloss black powder coat finish is standard. Optional gloss red powder coat and polished models are also available.

ULHP or SRP Series 12.19" Diameter Rotors

- Certified carbon iron alloy vented rotors provide a matched balance of durability, cooling efficiency and minimized weight.
- Base model kits include smooth faced, undrilled ULHP rotors for applications where rules may not allow drilling, and applications where maximum durability and thermal stability is preferred.
- Drilled rotor kits feature our signature SRP performance drilled and slotted rotors with a durable e-coat finish. E-coat seals the casting and prevents corrosion in all areas of the rotor not swept clean by the brake pads. This durable finish will maintain the high tech styling and appearance of the rotors inside your wheels for many miles down the road .

Forged Aluminum Hubs and Rotor Mounts

- Fully machined forged billet aluminum hubs and rotor mount plates provide secure mounting of the larger 12.19" diameter rotors, with a substantial weight savings over the smaller diameter one-piece OE iron hub and rotor assemblies.
- Each hub kit includes dual 5 on 4.50" and 5 on 4.75" lug pattern hubs with 1/2"-20 grade 8 wheel studs, bearings, races, and grease seals to mount the hub and rotor assemblies to the OE spindle.

Wilwood BP-10 "Smart Pads"

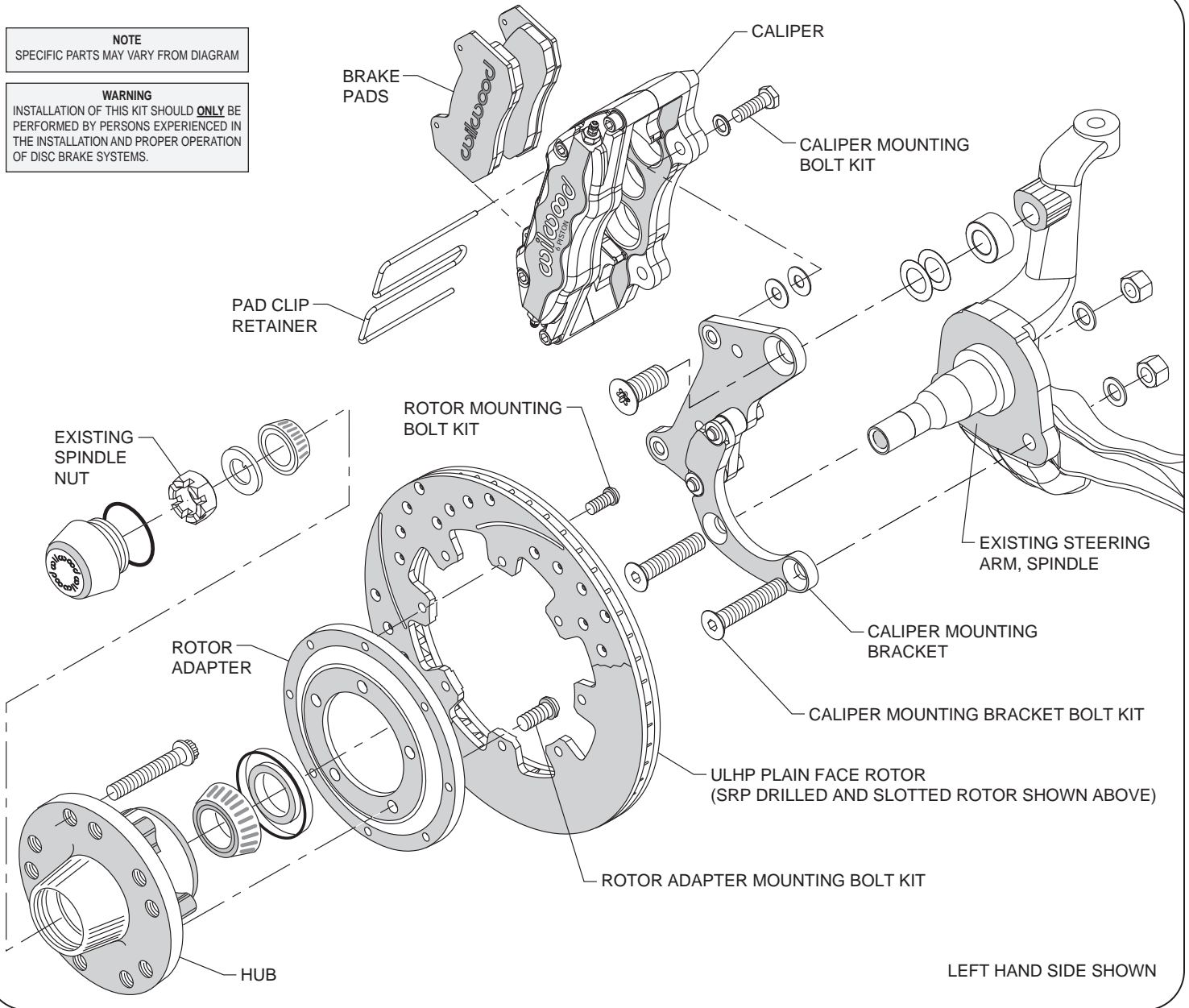
- BP-10 metallic-composite compound "Smart Pads" run clean and quiet with improved friction, positive response, and higher fade resistance over all types of OE and street rated pad compounds.

Hardware and Plumbing

- Caliper brackets, premium grade fasteners, and alignment shims are included in every kit.
- Stainless steel braided DOT approved flexline kit is necessary and must be ordered separately.

NOTE
SPECIFIC PARTS MAY VARY FROM DIAGRAM

WARNING
INSTALLATION OF THIS KIT SHOULD **ONLY** BE PERFORMED BY PERSONS EXPERIENCED IN THE INSTALLATION AND PROPER OPERATION OF DISC BRAKE SYSTEMS.



Typical Installation Diagram

ORDERING INFORMATION:

PART NUMBER

DESCRIPTION

140-12946	Front Kit, 1968-70 Impala / 1969-82 Corvette, DP6 Caliper, 12.19" ULHP Rotor, Black Caliper
140-12946-D	Front Kit, 1968-70 Impala / 1969-82 Corvette, DP6 Caliper, 12.19" SRP Drilled and Slotted Rotor, Black Caliper
140-12946-DR	Front Kit, 1968-70 Impala / 1969-82 Corvette, DP6 Caliper, 12.19" SRP Drilled & Slotted Rotor, Red Caliper
140-12946-R	Front Kit, 1968-70 Impala / 1969-82 Corvette, DP6 Caliper, 12.19" ULHP Rotor, Red Caliper