

REAR BIG BRAKE KITS FOR 1999-2012 SUBARU

Models Covered:

- 1999 - 2005 Subaru WRX
- 1999 - 2007 Subaru Impreza
- 2008 - 2012 Subaru WRX

Kit Features:

- Upgrade from OE calipers to Forged Billet Narrow Superlite 4R four piston calipers for either street or track.
- Choose either 12.88" diameter GT slotted or SRP drilled and slotted rotors.
- Simple bolt-on installation with minor modifications required.
- Fully compatible with ABS and OE master cylinder output.
- Will not fit stock wheels.

Component Features:

FNSL4R Radial Mount Four Piston Calipers

- Competition proven forged billet bodies demonstrates superior strength and resistance to deflection and separation under high load.
- Four symmetrical bore stainless steel pistons generate high clamping force for optimized stopping power. Stainless pistons stay corrosion resistant and inhibit heat transfer from the pads to the caliper body, fluid and seals.
- The internal piston seal-in-bore design adds proven durability with keeping the fluid in and dirt out without the need for external boot seals.
- Spring loaded stainless SRS bridge plates dampen pad noise and protect the caliper bridges from wear.
- For more aggressive race applications, calipers can be fitted with our exclusive Thermlock pistons which provide the most effective thermal barrier for minimizing heat transfer from the brake pads to the caliper body, seals, and fluid.
- Top loaded pads are easily inspected and serviced without the need to remove the caliper from the mount.
- Kits are available with either black or red gloss powder coated calipers.

GT or SRP Series Spec 37 Compound 12.88" x .081" Rotor Options

- GT competition series rotors feature full detail machining with asymmetrical slots in the faces. GT rotors provide the highest degree of durability and longer life for repeated hard braking and high temperature use.
- Drilled rotor kits feature our signature SRP performance drilled and slotted rotors with a durable e-coat finish. E-coat seals the casting and prevents corrosion in all areas of the rotor not swept clean by the brake pads. This durable finish will maintain the high tech styling and appearance of the rotors inside your wheels for many miles down the road.

Iron Hats

- The specially machined iron hats bolt to the rotors and contain the drums for operation with the OE parking brake assembly.
- Black E-coat finish resists corrosion while adding to the aggressive competition look inside the wheel.

Wilwood "Smart Pads"

- Kits includes our proven formula BP-10 Smart Pads. BP-10 is a unique composite-metallic compound that provides increased friction, stopping power, and higher fade resistance in a clean and quiet running low dust style pad.
- Optional high-temp and race only pad compounds are also available.

Radial Mounting Brackets, Hardware and Plumbing

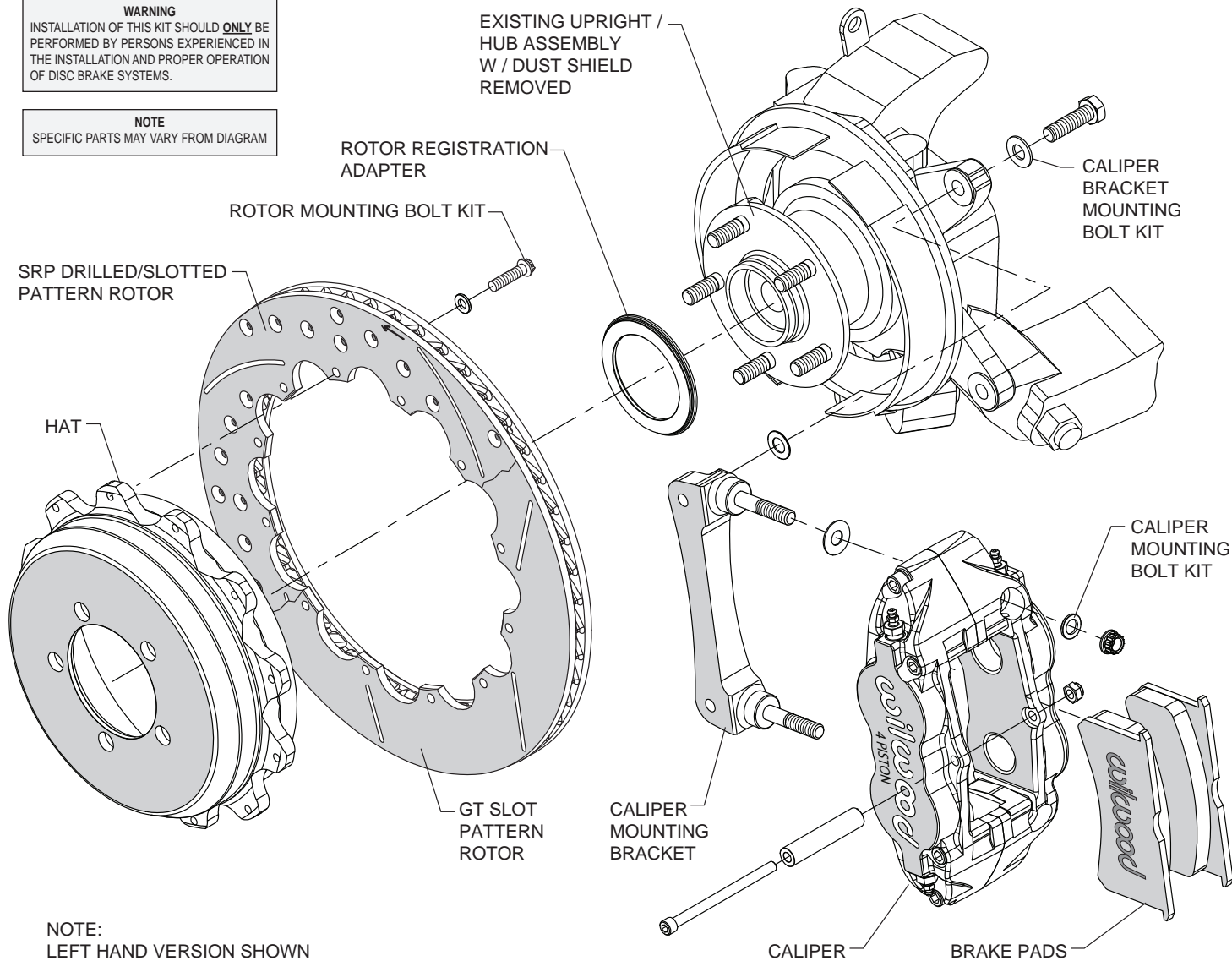
- Radial mounting provides secure attachment directly to the OE mounts, with two planes of adjustment for precise alignment of the caliper over the rotor. Brackets, premium grade fasteners and alignment shims are included in each kit.
- Jacketed stainless steel braided, DOT approved flexline kits are included with each brake kit.



**FNSL4R Rear Kit Assembly
2008-2012 Model Years Shown**

WARNING
 INSTALLATION OF THIS KIT SHOULD **ONLY** BE PERFORMED BY PERSONS EXPERIENCED IN THE INSTALLATION AND PROPER OPERATION OF DISC BRAKE SYSTEMS.

NOTE
 SPECIFIC PARTS MAY VARY FROM DIAGRAM



Typical Installation Diagram (2008-2012 Subaru WRX Kit Shown)

ORDERING INFORMATION:

PART NUMBER	DESCRIPTION
140-12877	2008-2012 Subaru WRX Rear Kit, FNSL4R Caliper, 12.88" GT Rotor, Black Caliper
140-12877-D	2008-2012 Subaru WRX Rear Kit, FNSL4R Caliper, 12.88" SRP Drilled and Slotted Rotor, Black Caliper
140-12877-R	2008-2012 Subaru WRX Rear Kit, FNSL4R Caliper, 12.88" GT Rotor, Red Caliper
140-12877-DR	2008-2012 Subaru WRX Rear Kit, FNSL4R Caliper, 12.88" SRP Drilled and Slotted Rotor, Red Caliper
140-12878	1999-2005 Subaru WRX Rear Kit, FNSL4R Caliper, 12.88" GT Rotor, Black Caliper
140-12878-D	1999-2005 Subaru WRX Rear Kit, FNSL4R Caliper, 12.88" SRP Drilled and Slotted Rotor, Black Caliper
140-12878-R	1999-2005 Subaru WRX Rear Kit, FNSL4R Caliper, 12.88" GT Rotor, Red Caliper
140-12878-DR	1999-2005 Subaru WRX Rear Kit, FNSL4R Caliper, 12.88" SRP Drilled and Slotted Rotor, Red Caliper
140-12878	1999-2007 Subaru Impreza Rear Kit, FNSL4R Caliper, 12.88" GT Rotor, Black Caliper
140-12878-D	1999-2007 Subaru Impreza Rear Kit, FNSL4R Caliper, 12.88" SRP Drilled and Slotted Rotor, Black Caliper
140-12878-R	1999-2007 Subaru Impreza Rear Kit, FNSL4R Caliper, 12.88" GT Rotor, Red Caliper
140-12878-DR	1999-2007 Subaru Impreza Rear Kit, FNSL4R Caliper, 12.88" SRP Drilled and Slotted Rotor, Red Caliper