



D154 PRO SERIES REAR DISC CONVERSION WITH PARKING BRAKE - JEEP DANA 35

D154 Pro Series Kit Highlights:

The D154 Pro Series rear disc conversion kit with integral parking brake provides high-tech styling for the street and rugged durability for the toughest off-road conditions. Experience big brake stopping power from 12.19" diameter rotors and two-piston floating mount calipers for ultimate control with big wheel and tire packages. Application specific engineered kits feature bolt-on installation and full compatibility with the OE master cylinder output.

Applications:

This kit covers the full range of non-ABS Dana 35 rear axles used over a wide range of Jeep models over a wide range of years. Axle housing flange dimensions with axle flange offset information to verify fitment can be found on page 2.

Component Features:

Forged Billet D154 GM Metric Style Calipers

- Custom forged billet, two-piston design GM D154 metric style calipers provide correct rear bias and improved clamping efficiency with balanced pad loading over OE cast iron single piston calipers.
- High strength, forged aluminum billet alloy bodies with stainless steel pistons and high-temp racing style bore seals resist all corrosion and provide unmatched reliability in the toughest conditions.
- Floating mount caliper design with dampened slide pin mounts minimize noise, vibration, and potential pad knock back from free play in c-clip style axles.
- Available in glossy black or red finish heat and brake fluid resistant sealed powder coating.

ULHP or SRP Series 12.19" Diameter Rotors

- 12.19" diameter vented carbon iron alloy rotors provide cool running, long wear, and increased stopping leverage for oversized wheel and tire combinations.
- ULHP smooth faced rotors in the base model kits are precision machined for accurate fit, true running, and the highest degree of durability
- SRP series directional drilled and slotted rotors give that high-tech styled look inside the wheel while providing enhanced pad performance in extreme wet or high heat conditions. A durable black E-coat finish protects all surfaces of the rotor from corrosion in the areas not swept clean by the pads to keep the rotors looking sharp mile after mile.

Wilwood "Smart Pads"

- BP-10 compound "Smart Pads" are a very unique and rotor friendly metallic composite that offers low dust and quiet engagement with higher friction, heavier load capacity, and increased fade resistant over regular OE style or ceramic compound pads.

Integral Internal Shoe Parking Brake

- Two shoes housed within the drum portion of the rotor provide unsurpassed holding power and the ultimate out-of-sight uncluttered look.
- The parking brake shoes are mechanically cable actuated and spring dampened to prevent rattle.

Brackets, Hardware, and Plumbing

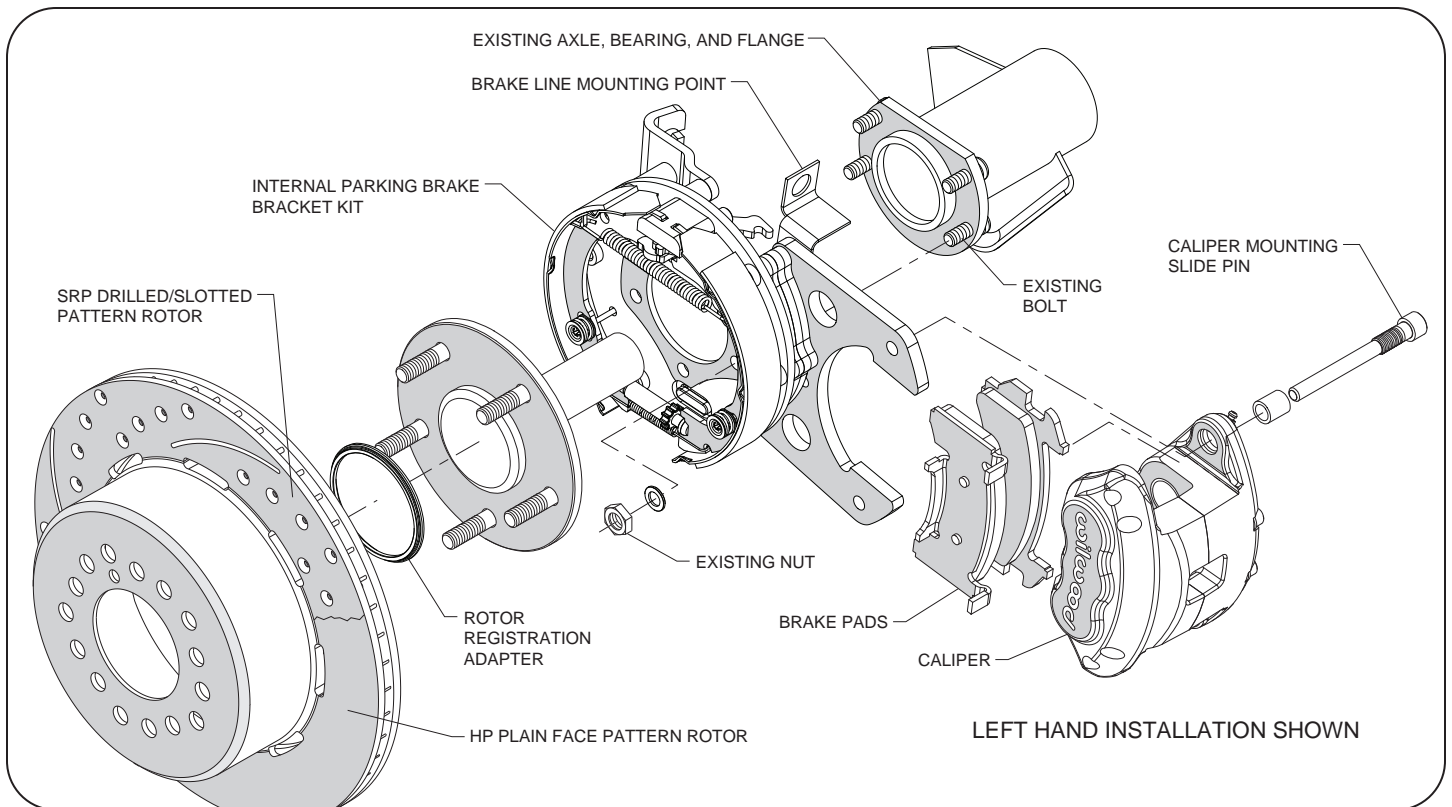
- Kits include precision machined brackets and all premium grade hardware to secure the brake kit to the axle.
- Stainless steel braided and jacket reinforced DOT approved flexlines are provided with each kit to connect the calipers to the OE brake lines on the axle.

Note:

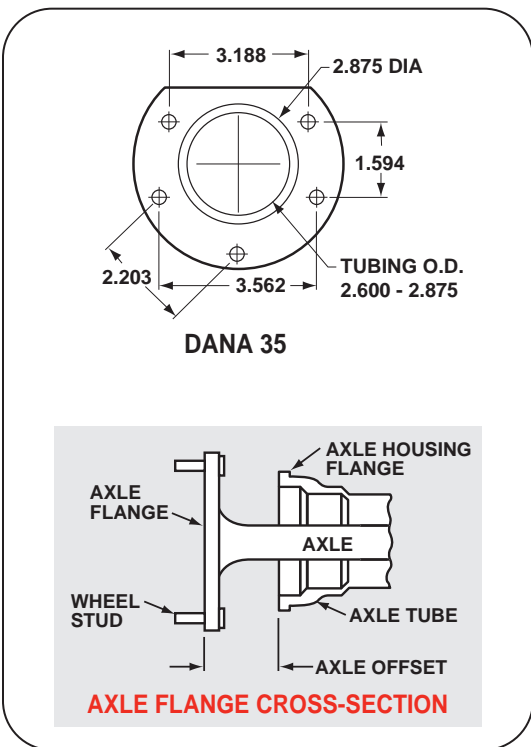
- Cable adapter kit 330-9371 is required to connect the internal parking brake mechanism to the OE actuation cable in the vehicle. This item must be ordered separately.



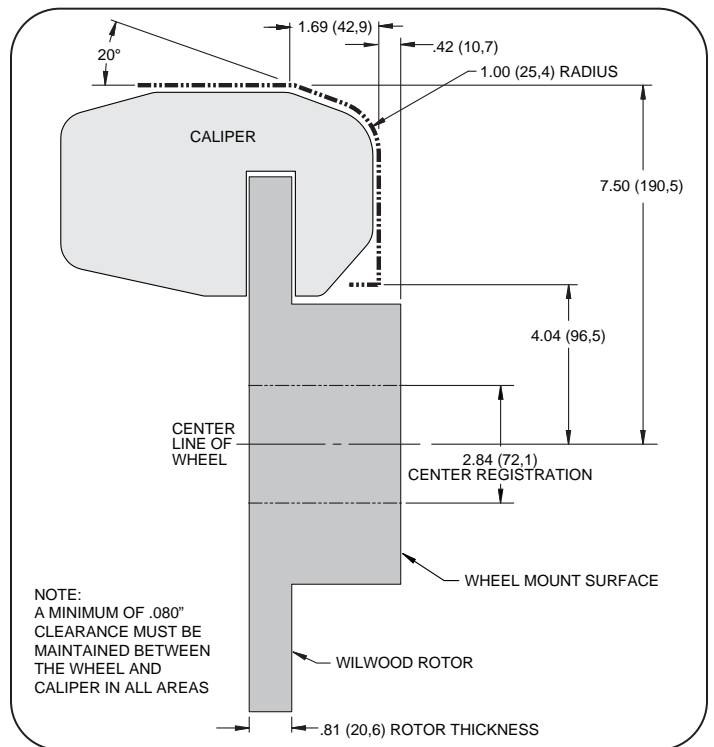
Rear Parking
Brake Kit w/SRP Rotor



Typical Installation Diagram, Major Components Identified



Rear Housing Flange and Axle Flange / Offset Cross-Section



ORDERING INFORMATION:

MAKE / MODEL
 Jeep Dana 35 (non-ABS only) - Black Caliper
 Jeep Dana 35 (non-ABS only) - Red Caliper

FLANGE OFFSET
 2.56"
 2.56"

KIT PART NUMBERS

ULHP ROTOR KIT	SRP ROTOR KIT
140-12567	140-12567-D
140-12567-R	140-12567-DR