

BSL4R/ST A-SEDAN ROAD RACE KIT FOR 1982-1992 CAMARO & FIREBIRD

Models Covered:

- 1982 - 1992 Chevrolet Camaro, Pontiac Firebird.

Kit Features:

- Meets SCCA Specifications for A Sedan.
- Bolts to OE mounts on single or dual piston caliper model spindles with minimal modifications.
- Caliper piston sizes configured for manual tandem or balance bar dual master cylinder pedals, with optional piston size calipers available for cars equipped with OE power brakes.
- Optional non-grooved rotors available to meet NASA CMC rules.

Component Features:

Billet Superlite 4R/ST Radial Mount Calipers with Thermlock Pistons

- **BSL4R/ST** four piston differential bore calipers generate high clamping force with positive response and balanced pad loading for even wear in sustained high temperature competition.
- Thermlock pistons insulate the caliper body, fluid, and seals from the brake pad heat and reduce the caliper temperatures by up to 25%. Lowered caliper temperatures extend component service life while minimizing the possibility of on-track heat induced fade.
- Spring loaded stainless steel SRS bridge wear plates dampen vibration and engagement noise while protecting the caliper bridges at the pad load surfaces.
- Center bridge bolt design adds additional strength against caliper separation and deflection under load while allowing easy access for pad service without caliper removal.

Spec 37 Competition Series GT-48 Directional Vane 12.19" Rotors

- **Spec 37** extreme duty alloy rotors deliver the longest service life with the highest degree of resistance to thermal distortion, cracking, and wear in sustained high heat competition.
- Directional vane rotors provide the highest degree of cooling efficiency with increased cooling surface area and improved airflow between the rotor faces.
- GT-48 competition series rotors are close tolerance, fully detail machined with asymmetrical face slotting and individual dynamic balancing for optimized pad performance and smooth running at all speeds. Optional smooth face HD-48 series rotors can be substituted to comply with NASA CMC rules.

Forged Billet Aluminum Hubs and GT Series Rotor Mounting Hats

- Forged billet, one piece aluminum hubs with new bearings, seals, and high strength 1/2" fine thread extended length racing studs are included in each kit.
- Face mounted billet aluminum hats provide lightweight, yet secure mounting of the rotors to the hubs,
- Premium grade, high strength steel lock-wire drilled rotor bolts are included.

Wilwood PolyMatrix Competition Compound Brake Pads

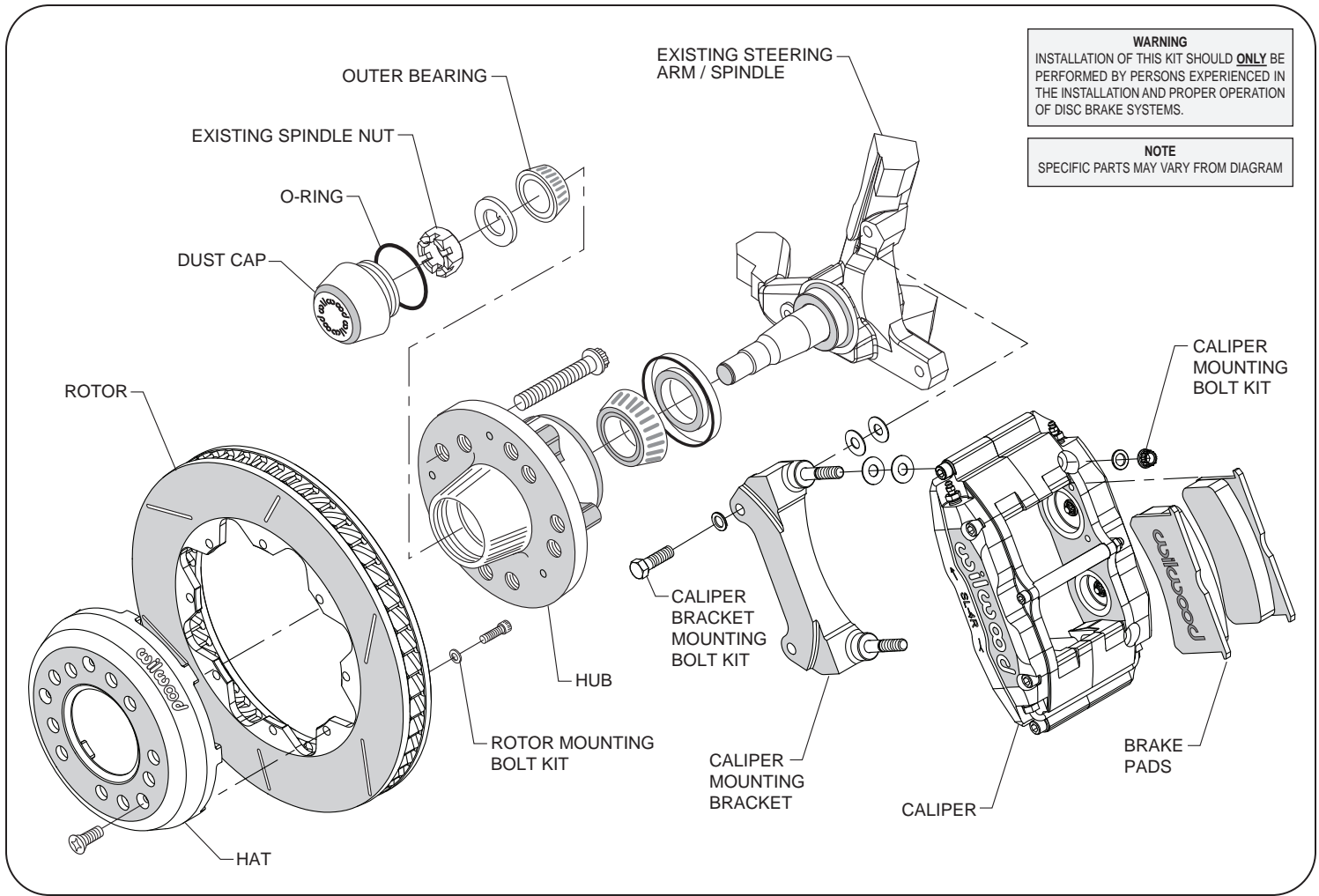
- **PolyMatrix "H"** compound is a race-only, high friction material with maximum fade resistance in sustained high temperature competition on road courses and hard braking ovals. It provides long wear, consistent response, and predictable engagement with excellent release and modulation characteristics throughout the entire temperature range.
- **PolyMatrix "A"** compound can be substituted when conditions require a more aggressive pad.

Radial Mounting Hardware and Plumbing

- Radial mounting provides secure caliper attachment directly to the OE spindle, with two planes of adjustment for precise alignment over the rotors.
- Steel braided brake flexlines, and all premium grade fasteners, washers, and alignment shims are included to complete the installation.



Big Brake Front Kit with GT Rotor



Typical Installation Diagram

ORDERING INFORMATION:

<u>PART NUMBER</u>	<u>DESCRIPTION</u>
140-12518	1982 - 1992 CHEVROLET CAMARO/PONTIAC FIREBIRD FRONT ROAD RACE KIT

ORDERING INFORMATION, USER SERVICEABLE COMPONENTS:

<u>PART NUMBER</u>	<u>CALIPER</u>	<u>GT ROTOR</u>	<u>HAT</u>	<u>AXLE SET PADS</u>	<u>BRACKET KIT (EA)</u>	<u>ROTOR BOLT KIT</u>
140-12518	120-10693/94-RS	160-11839/40	170-7632	15H-8114K	250-12520	230-2589