



SUPERLITE 6R PRO SERIES FRONT HUB KIT FOR 1980 - 1987 GM "G" BODY

Models Covered:

- General Motors "G" Body disc spindle 1980 - 1987 model years

Kit Features:

- Upgrade from OE calipers to Forged Narrow Superlite 6R six piston calipers for either street or track.
- Choose either 12.88" or 14.00" diameter GT slotted or SRP drilled and slotted rotors.
- Optional DOT approved stainless steel flexline kit available in various lengths for a custom installation.
- Fully compatible with ABS and OE master cylinder output.
- BP-10 street performance brake pads standard.

Component Features:

Billet FNSL6R Radial Mount Calipers

- Six differential bore stainless steel pistons increase clamping force and provide balanced pad loading for even wear with high resistance to corrosion and heat transfer.
- Spring loaded stainless steel SRS bridge plates reduce noise by stopping pad rattle and damping the engagement harmonics that can contribute to pad squeal. Bridge wear from gouging at the pad trailing edge is also eliminated.
- Center bridge bolt design adds additional strength against caliper separation and deflection under load while allowing easy access for pad service without caliper removal.
- Standard calipers feature Wilwood's signature and high gloss black powder coat finish.
- Optional high gloss red coated calipers are available as an upgrade.

GT or SRP Directional Vane 12.88" or 14.00" Rotors

- Directional vane rotors provide the highest degree of cooling efficiency with increased surface area and improved air circulation between the rotor faces.
- GT rotors are competition prepared with asymmetrical face slotting, full detail machining, and individual dynamic balancing to deliver maximum durability and thermal stability in sustained high heat temperature conditions.
- Optional SRP directional drilled and slotted rotors enhance pad performance with consistent response by cleaning and venting gasses, dust, and burnt pad material. A proprietary black e-coat finish is applied to resist corrosion.

Forged Aluminum GT Mounting Hats

- Forged aluminum rotor mount hats help reduce weight with the strength to handle the exceptional brake torque delivered by the Forged Narrow Superlite 6R caliper.
- Black anodized finish resists corrosion while adding to the aggressive competition look inside the wheel.

Forged Billet Performance Hubs

- Forged billet hubs are made from premium grade alloy billets that are forged into shape under high heat and pressure, the CNC machined for a precise fit on the spindle.
- Hubs include installed bearing races and screw-on aluminum dust caps.

Wilwood BP-10 "Smart Pads"

- All kits include BP-10 metallic-composite compound "Smart Pads". BP-10 delivers the increased friction; higher fade resistance, and longer wear of an entry-level track pad, with virtually noise and dust free performance for the street.
- Optional race-only compounds can be ordered to suit the braking requirements at all levels of severe duty and sustained high heat competition.

Radial Mounting Hardware and Plumbing

- Radial mounting provides secure attachment directly to the OE mount with two planes of adjustment for precise alignment over the rotor. Brackets, premium grade fasteners and alignment shims are included in each kit.

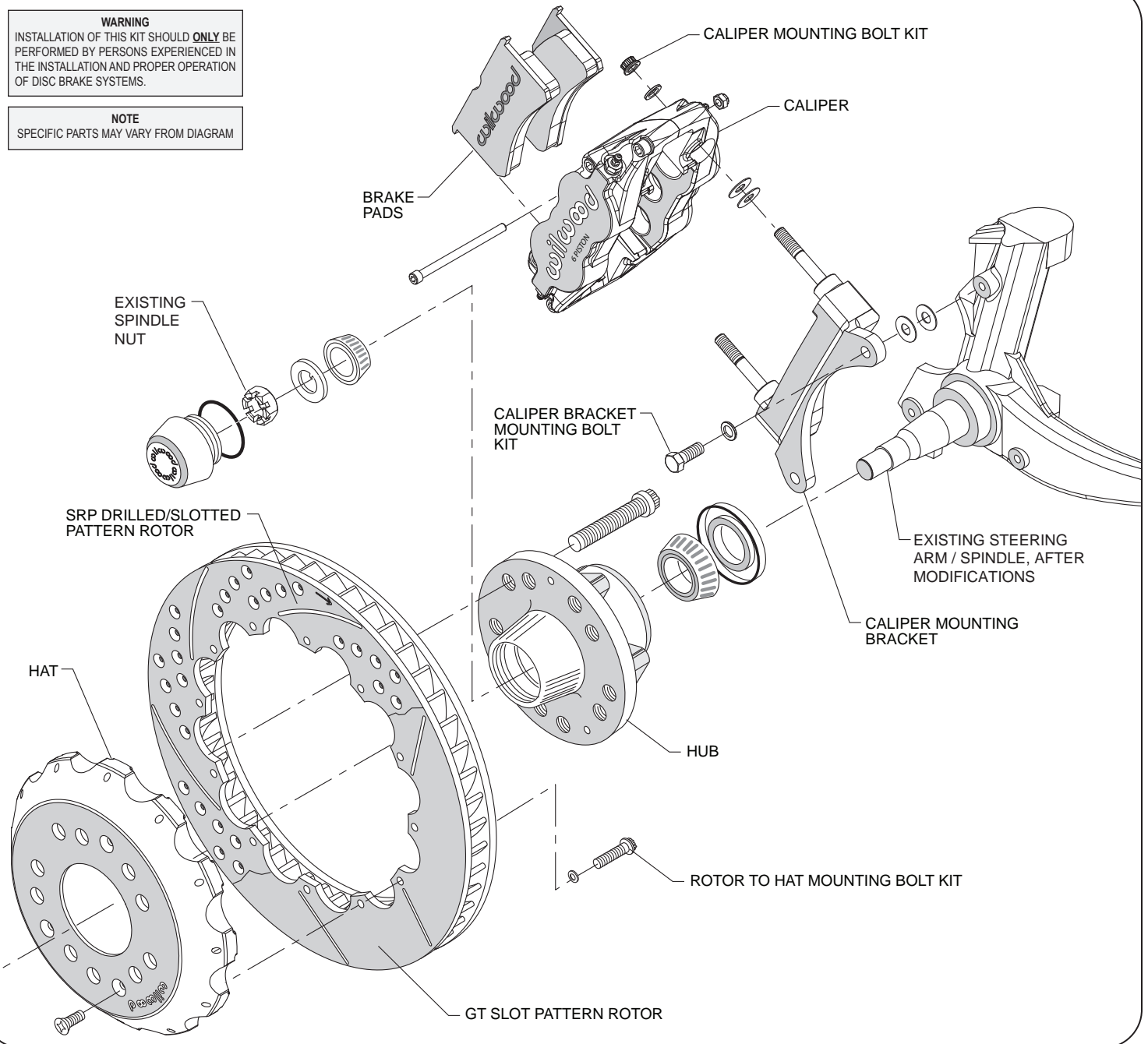
- Stainless steel braided competition flexline kits are required and must be ordered separately.



G Body Big Brake Front Kit with SRP Rotor and Red Caliper

WARNING
 INSTALLATION OF THIS KIT SHOULD **ONLY** BE PERFORMED BY PERSONS EXPERIENCED IN THE INSTALLATION AND PROPER OPERATION OF DISC BRAKE SYSTEMS.

NOTE
 SPECIFIC PARTS MAY VARY FROM DIAGRAM



Typical Installation Diagram

ORDERING INFORMATION:

PART NUMBER	DESCRIPTION
140-12298	Front Kit, GM "G" Body, FNSL6R Caliper, 12.88" GT Asymmetrical Slot Face Rotor
140-12298-D	Front Kit, GM "G" Body, FNSL6R Caliper, 12.88" SRP Drilled and Slotted Rotor
140-12298-DR	Front Kit, GM "G" Body, FNSL6R Caliper, 12.88" SRP Drilled & Slotted Rotor, Red Caliper
140-12298-R	Front Kit, GM "G" Body, FNSL6R Caliper, 12.88" GT Asymmetrical Slot Face Rotor, Red Caliper
140-12299	Front Kit, GM "G" Body, FNSL6R Caliper, 14.00" GT Asymmetrical Slot Face Rotor
140-12299-D	Front Kit, GM "G" Body, FNSL6R Caliper, 14.00" SRP Drilled and Slotted Rotor
140-12299-DR	Front Kit, GM "G" Body, FNSL6R Caliper, 14.00" SRP Drilled & Slotted Rotor, Red Caliper
140-12299-R	Front Kit, GM "G" Body, FNSL6R Caliper, 14.00" GT Asymmetrical Slot Face Rotor, Red Caliper