



# CHALLENGE SERIES MUSCLE CAR BIG BRAKE KITS

## Kit Highlights:

- Purpose built one-piece carbon iron rotors make the Challenge Series kits Wilwood's most affordable option to install real big brake stopping power and performance on popular OE muscle car and aftermarket spindles.
- Two rotor styles and three available caliper finishes for options can be specified for personalized styling or performance requirements.

## Component Features:

### FNSL6R Radial Mount Six-Piston Calipers

- Competition proven forged billet bodies demonstrates superior strength and resistance to deflection and separation under high load.
- Differential bore stainless steel pistons generate high clamping force and balanced pad loading for optimized stopping power and even pad wear. Stainless pistons stay corrosion resistant and inhibit heat transfer from the pads to the caliper body, fluid and seals.
- Spring loaded stainless SRS bridge plates dampen pad noise and protect the caliper bridges from wear.
- Center bridge bolt design adds body strength and provides positive pad retention with easy access to the pads for service, without the need to unbolt the calipers from their mounts.
- Standard part number kits are available with either black or red gloss powder coated calipers. Nickel plated "Quick-Silver" series calipers are also available by special order.



Big Brake Front Kit Assembly

### GT or SRP Series 12.88" Rotor Options

- GT competition series rotors feature full detail machining with asymmetrical pad cleaning slots in the faces. GT rotors provide the highest degree of durability for repeated hard braking and high temperature use on dedicated track cars, or dual purpose street and track vehicles that will compete at a high level.
- Drilled rotor kits feature our signature SRP performance drilled and slotted rotors with a durable e-coat finish. E-coat seals the casting and prevents corrosion in all areas of the rotor not swept clean by the brake pads. This durable finish will maintain the high tech styling and appearance of the rotors inside your wheels for many miles down the road.

### Forged Billet Hubs

- Premium grade billet blanks are hot forged and precision machined to deliver the strongest and most accurate hubs on the market.
- The hubs and rotors feature a multi-lug pattern that allows the use of either 5 on 4.50" or 5 on 4.75" lug circle wheels.
- Premium grade 1/2-20 fine thread wheel studs, bearings, races, seals, and hub dust caps are include with each kit.

### Wilwood BP-10 "Smart Pads"

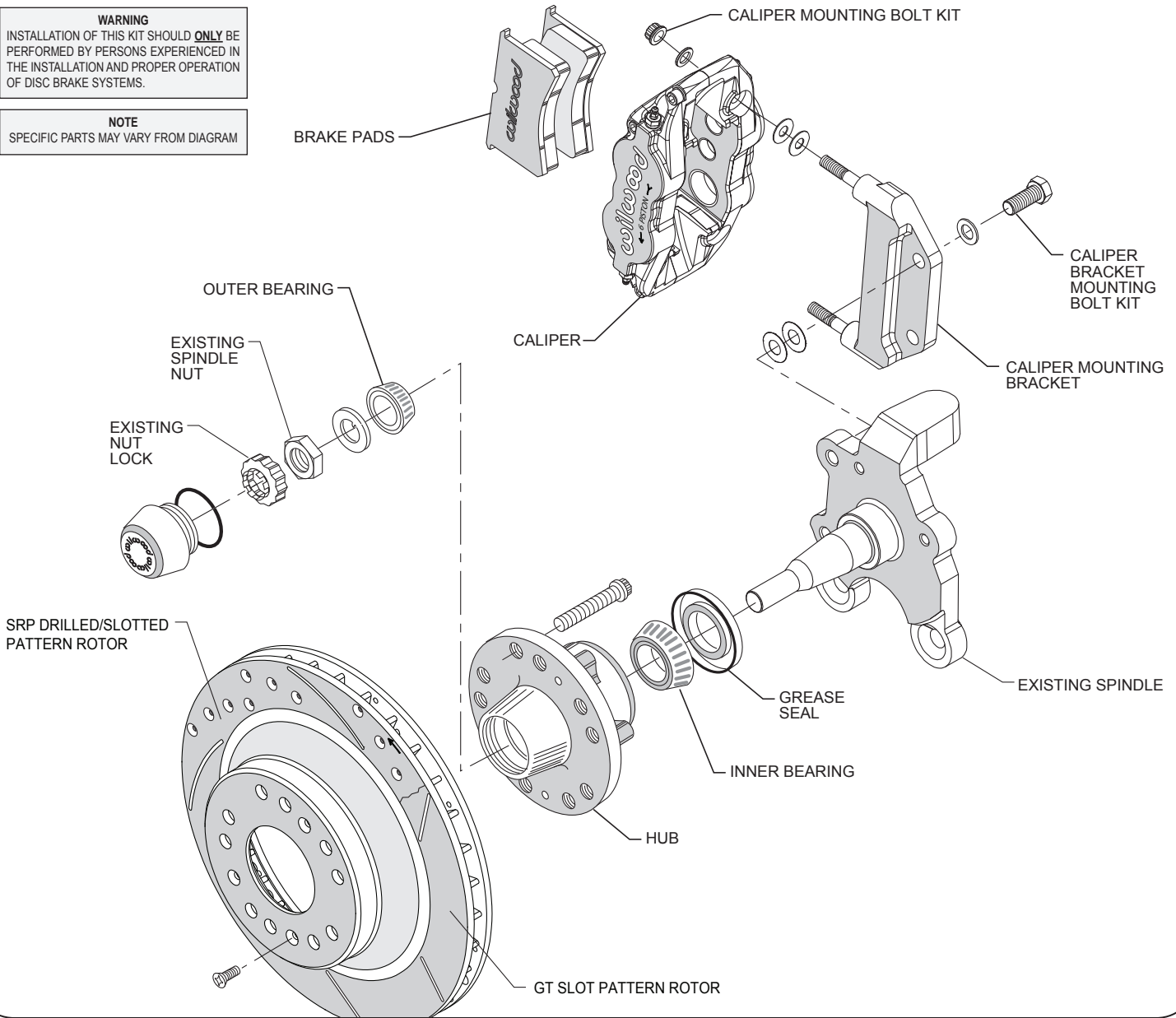
- Each kit includes our proven formula BP-10 Smart Pads. BP-10 is a unique composite-metallic compound that provides increased friction, stopping power, and higher fade resistance in a clean and quiet running low dust style pad.
- Optional street / track and competition only compounds are also available to fine tune the braking requirements on any street or track application.

### Radial Mounting Brackets, Hardware and Plumbing

- Radial mounting provides secure attachment directly to the OE mounts, with two planes of adjustment for precise alignment of the caliper over the rotor. Brackets, premium grade fasteners and alignment shims are included in each kit.
- Jacketed stainless steel braided, DOT approved flexline kits can be ordered by specific vehicle model or by length for custom applications. Flexlines are not included in the kits and must be ordered separately.

**WARNING**  
 INSTALLATION OF THIS KIT SHOULD **ONLY** BE PERFORMED BY PERSONS EXPERIENCED IN THE INSTALLATION AND PROPER OPERATION OF DISC BRAKE SYSTEMS.

**NOTE**  
 SPECIFIC PARTS MAY VARY FROM DIAGRAM



**Typical Installation Diagram**

**ORDERING INFORMATION:**

<u>KIT PART NO.</u> (1, 2)	<u>VEHICLE / SPINDLE MODEL</u>	<u>FLEXLINE KIT PART NO.</u>
140-12271	1967 - 1969 CAMARO, DISC OR DRUM SPINDLES	220-7056
140-12271 <sup>(3)</sup>	1962 - 1974 CHEVY II-NOVA, DISC OR DRUM SPINDLES	220-7056
140-12271 <sup>(3)</sup>	1964 - 1972 CHEVELLE, DISC OR DRUM SPINDLES	220-7056
140-12272	MAGNUM FORCE DROPPED SPINDLE	Universal, Specify Length
140-12275	OE STYLE PINTO / MUSTANG II	Universal, Specify Length
140-12276	WILWOOD PROSPINDLE	Universal, Specify Length
140-12278	1970 - 1978 CAMARO, DISC SPINDLE ONLY	220-10509
140-12280	1979 - 1981 CAMARO, DISC SPINDLE ONLY	220-10509
140-12282	1962 - 1969 MOPAR "B" BODY, DRUM SPINDLE ONLY	220-8307
140-12282	1970 - 1972 MOPAR "E" BODY, DRUM SPINDLE ONLY	220-8307

Notes: (1) Add -D to end of part number for SRP drilled and slotted rotors  
 (2) Add -R to end of part number for Red calipers  
 (3) All 1962-1966 models require re-drilling and tapping of OE spindle bolt holes