



1969 - 1976 AMC FRONT DYNALITE BIG BRAKE KIT

Kit Features:

- Specifically designed for the 1969-1976 AMC with disc brake spindle and Kelsey-Hayes calipers
- Billet Forged 4-piston Dynalite calipers available in black anodized or red powder coat finish
- 11.00" diameter ULHP plain face or SRP drilled and slotted rotors
- CNC machined aluminum hubs
- BP-10 compound brake pads
- Optional DOT approved stainless steel flexline kit available in various lengths for a custom installation

Forged Billet Dynalite Calipers

The Big Brake kit for the AMC features the race proven Billet Dynalite four piston calipers. These calipers provide big clamping power in a truly lightweight, rigid and reliable design. Four stainless steel pistons provide additional corrosion resistance and the lowest heat transfer of any one-piece piston design. The black anodized finish provides excellent corrosion resistance and long term preservation of their high-tech style and appearance. Calipers are also available in a red powder coat finish.

Rotor Characteristics

Braking power is radically improved again with the larger 11.00" diameter disc rotors. The .81" thick, vented fin design is the perfect balance between weight and cooling area for outstanding reliability and fade free performance in the toughest conditions.

ULHP Series Plain Face Performance Rotors

ULHP Series rotors provide high performance and rugged durability for a wide range of competition, performance, and sport driving applications. Every Wilwood rotor is cast from premium grade, long grain carbon iron. This material exhibits long wear, high thermal stability, and excellent resistance to distortion in high heat. Modern foundry and machining techniques hold close tolerances on face and vane thickness. The 30 vane casting design provides superior heat management and long service life with low rotating and unsprung weight.

SRP Series Drilled Performance Rotors

SRP series cross-drilled and face-slotted for improved brake feel and pad performance over the full range of light to severe braking. Along with an additional reduction in rotating and unsprung suspension weight, the venting action of holes and the cleaning action of the slots will reduce pad glazing as well as surface heat and minimize uneven pad compound build-up on the rotor faces. After machining, each rotor gets an e-coat bath to prevent corrosion and preserve the stylish look inside the wheel.

BP-10 Brake Pads

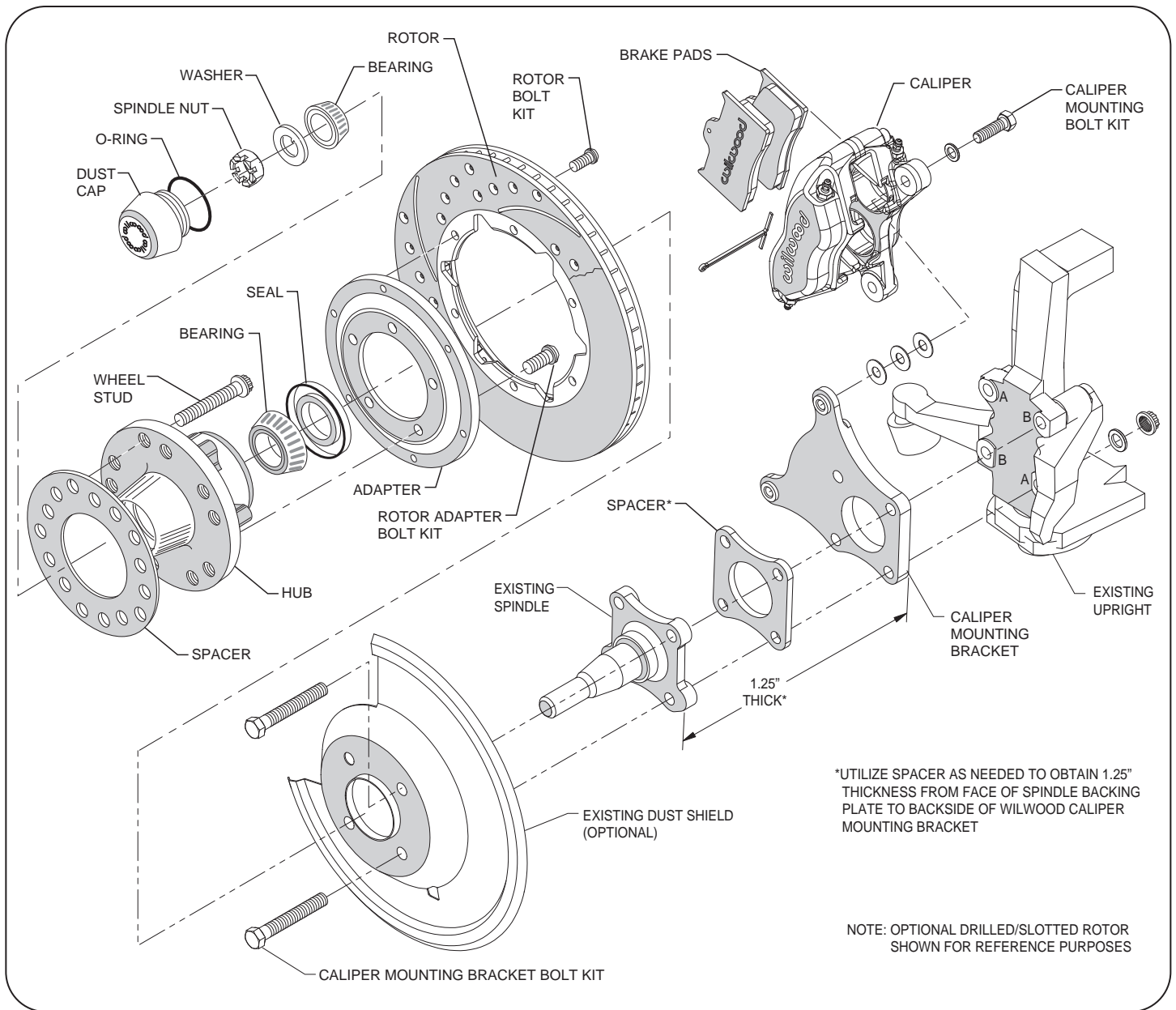
BP-10 Brake Pads for the front calipers provide fast response with high resistance to fade, long wear, and the low rotor abrasion that BP-10 formula material is so well known for. Developed for improved stopping power, ultra-quiet engagement, and the lowest possible dusting available from a performance compound pad. BP-10 provides quiet, consistent stops over a wide temperature without all the annoying dust on the wheels. BP-10 materials have an easy break-in period and are easily bedded on new cast iron rotors.

Plumbing and Hardware

Installation is simple. The kit is a complete bolt-on without the need to modify any of the stock brake or suspension components. Billet aluminum mounting brackets, aluminum hubs, and premium grade hardware are supplied with detailed instructions in every kit. Optional braided stainless steel line kits are available to add the finishing touch to your installation.



Optional SRP Drilled and Slotted Rotor Kit Shown



Typical Installation Diagram, Major Components Identified

ORDERING INFORMATION:

<u>MODEL</u>	<u>PART NO.</u>	<u>CALIPER</u>	<u>ROTOR</u>
1969 - 1976 AMC Front Kit	140-11940	Black Anodized	ULHP
1969 - 1976 AMC Front Kit	140-11940-D	Black Anodized	SRP
1969 - 1976 AMC Front Kit	140-11940-R	Red Powder Coat	ULHP
1969 - 1976 AMC Front Kit	140-11940-DR	Red Powder Coat	SRP

ORDERING INFORMATION, USER SERVICEABLE COMPONENTS:

<u>PART NUMBER</u>	<u>CALIPER</u>	<u>ULHP ROTOR</u>	<u>SRP ROTOR</u>	<u>AXLE SET PADS</u>	<u>BRACKET KIT (EA)</u>	<u>ROTOR BOLT KIT</u>
140-11940	120-6816	160-5840	—	150-8850K	249-11945/46	230-11816
140-11940-D	120-6816	—	160-7099/00-BK	150-8850K	249-11945/46	230-11816
140-11940-R	120-6816-RD	160-5840	—	150-8850K	249-11945/46	230-11816
140-11940-DR	120-6816-RD	—	160-7099/00-BK	150-8850K	249-11945/46	230-11816