



2002-2010 MINI COOPER CPB REAR PARKING BRAKE KIT

Applications:

- Mini Cooper, Mini Cooper "S", 2002 - 2010 model years.

Kit Features:

- Combination hydra-mechanical parking brake calipers use hydraulic pressure for stopping and a mechanical lock for parking.
- 11.75" rotors provide improved stopping power, balanced rear bias, and competitive styling to compliment front brake upgrades in conjunction with wheel, tire, and suspension modifications.
- Caliper brackets and installation hardware are engineered specific for this kit.



**Combination Caliper Rear
Parking Brake Kit with SRP Rotor**

Component Features:

Combination Hydra-Mechanical Parking Brake Caliper

- Single piston floating mount calipers are securely attached to the axle with a fixed radial mount bracket on the axle.
- The floating mount caliper maintains perfect alignment when the cable actuated mechanical parking brake lock is engaged and then released.
- Correct alignment is maintained over the disc as the pads wear and pad knock back is minimized on c-clip rear axles with measurable side play.
- Radial mounting provides secure attachment to the axle housing end and precise adjustments for pad to rotor alignment.
- The cable actuated parking brake is easily adapted to the original cable system on most vehicles. Cables for aftermarket hand brake lever kits are easily configured for custom fabricated installations.

HP Straight or SRP Directional Vane 11.75" Diameter x 0.81" Thick Rotors

- Whether straight or directional vane, these rotors provide the highest degree of cooling efficiency with increased surface area and improved air circulation between the rotor faces.
- HP rotors provide high performance and rugged durability for a wide range of competition, performance, sport driving and off-road applications. Rotors are cast from premium grade, long grain carbon iron.
- Drilled rotor kits feature our signature SRP performance drilled and slotted rotors with a durable e-coat finish. E-coat seals the casting and prevents corrosion in all areas of the rotor not swept clean by the brake pads. This durable finish will maintain the high tech styling and appearance of the rotors inside your wheels for many miles down the road.

GT Forged Aluminum Rotor Hats

- Premium grade alloy forged aluminum hats are lightweight to reduce rotating weight and strong to provide secure mounting of the disc over the OE axle flange.
- Black e-coat finish resists corrosion while adding to the aggressive competition look inside the wheel.

Wilwood BP-10 "Smart Pads"

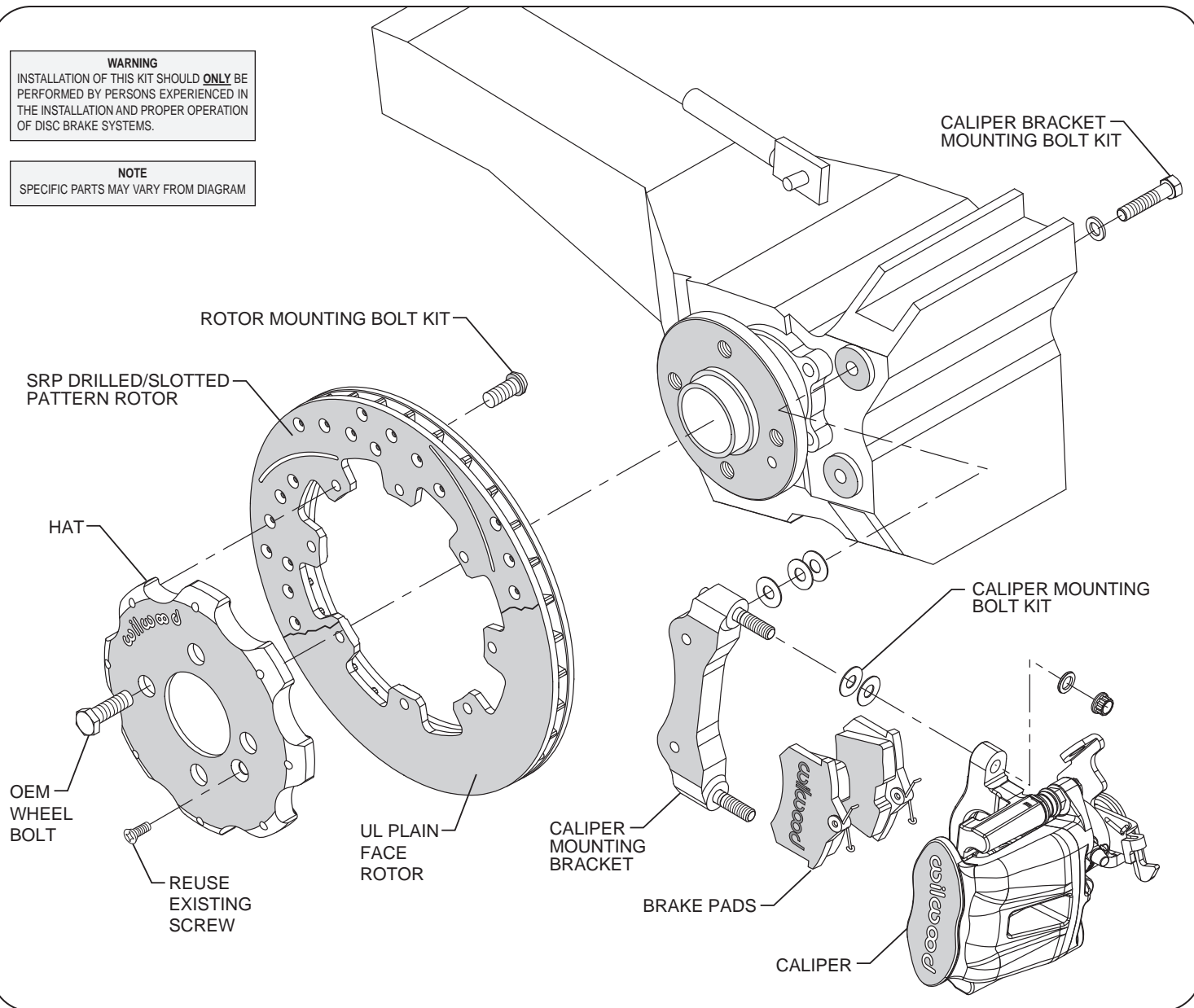
- BP-10 metallic-composite compound "Smart Pads" run clean and quiet with improved friction, positive response, and higher fade resistance over all types of OE and street rated pad compounds.

Hardware and Plumbing

- Caliper brackets, premium grade fasteners, and alignment shims are included in every kit.
- Stainless steel braided DOT approved flexline kit is necessary and must be ordered separately, order part number 220-10879.
- Parking brake cable is required for functionally and must be ordered separately, order part number 330-10915.

WARNING
 INSTALLATION OF THIS KIT SHOULD **ONLY** BE PERFORMED BY PERSONS EXPERIENCED IN THE INSTALLATION AND PROPER OPERATION OF DISC BRAKE SYSTEMS.

NOTE
 SPECIFIC PARTS MAY VARY FROM DIAGRAM



Typical Installation Diagram, Major Components Identified.

ORDERING INFORMATION:

PART NUMBER	DESCRIPTION
140-10885	Rear Parking Brake Kit, Mini Cooper, CPB Caliper, 11.75" HP Rotor
140-10885-D	Rear Parking Brake Kit, Mini Cooper, CPB Caliper, 11.75" SRP Drilled and Slotted Rotor
140-10885-R	Rear Parking Brake Kit, Mini Cooper, CPB Caliper, 11.75" HP Rotor, Red Caliper
140-10885-DR	Rear Parking Brake Kit, Mini Cooper, CPB Caliper, 11.75" SRP Drilled and Slotted Rotor, Red Caliper