



# DYNAPRO FRONT DRAG KITS FOR LATE MODEL GM "F" BODIES

DynaPro Front Drag Race Kits deliver high speed stopping power, at a substantial weight savings, with the wheel clearance necessary to run 15" diameter drag race wheels on cars using the 1998-2002 "F" Body spindles. Radial mount Dynapro calipers and brackets are matched with 11.75" diameter rotors, aluminum hats, BP-10 Smart Pads, and the hardware necessary for a simple bolt-on installation using the OE mount location on the stock spindles. Two kit styles, with either .350" thick steel or .810" wide vented iron rotors, can be optioned to match the rotor capacity requirements for competition vehicles of all weights and speeds.

## Kit Applications:

- 1998-2002 Camaro / Firebird with OE Spindles
- 1993-1997 Camaro / Firebird using 1998-2002 Spindles

## Component Features:

### DynaPro Forged Billet Radial Mount Calipers

- This special narrow body Dynapro caliper is fully detail machined from premium grade alloy billet forgings for superior strength, minimum weight, and maximum wheel clearance.
- Radial mount bracket kits include premium grade fasteners and alignment shims for secure caliper mounting and precise alignment using the original mounting points on the OE spindles.
- Four 1.75" big bore stainless steel pistons in each caliper deliver big brake clamping force and high speed stopping power on competition vehicles that have been converted to manual brakes.
- SRS stainless bridge plates, Quick-E-Clip pad retainers, and enclosed center bridge bolts provide reduced noise with protection against bridge wear, positive pad retention, and fortified strength against deflection and body separation under load in the main caliper body.

### 11.75" Rotors with GT Aluminum Hats

- Lightweight .350" thick steel alloy rotors provide maximum weight savings on four wheel disc brake equipped drag cars weighing in under 2800 pounds.
- .810" width ULHP-32 vane vented iron rotors provide increased cooling capacity and durability on heavier weight drag cars or "outlaw" category street/strip cars.
- High strength, weight saving forged aluminum GT Hats mount the rotors directly to the OE hubs with stock or extended length wheel lug studs.

### BP-10 Smart Pads

- BP-10 compound "Smart Pads" deliver positive cold holding power during staging, with high friction and fade resistance for repeated hot, high speed 1/4 mile stops.
- Six optional pad compounds are available to fine tune the friction response and temperature range requirements for any possible competition application.

### Hardware and Plumbing

- Premium grade mounting hardware, including the caliper bracket alignment shims and necessary fasteners, is included with each kit.
- DOT spec stainless steel braided flexlines, designed to connect the caliper with the OE fluid fitting on the chassis, are available ordered separately.

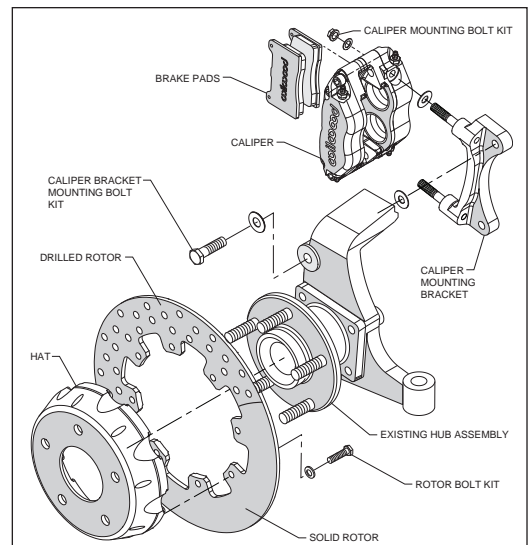
## ORDERING INFORMATION:

KIT DESCRIPTION	SOLID FACE ROTORS	KIT PART NUMBERS DRILLED ROTORS	FLEXLINE KIT
DPR Front Drag Kit with .35" Steel Rotors	140-10786	140-10786-D	220-6746
DPR Front Drag Kit with .81" Vented Iron Rotors	140-10787	140-10787-D(1)	220-6746

(1) Consult your specific sanctioning body rules regarding the use of drilled iron rotors



**DPR Kit, P/N 140-10787 with Vented Iron Rotor**



**Typical Installation Showing Solid Face and Cross Drilled .350" Steel Rotors**