

Wilwood Superlite (FSLR) radial mount calipers combine state-of-the-art forged caliper technology, with track proven performance options for oval track, off-road, and road course competition. Premium grade billet, stress flow forging, and a highly efficient over all design, make the FSLR calipers as strong as any design in its class, including one-piece calipers.



FSL6R/ST Quick-Silver with Thermlock® Pistons

Superlite Caliper Features



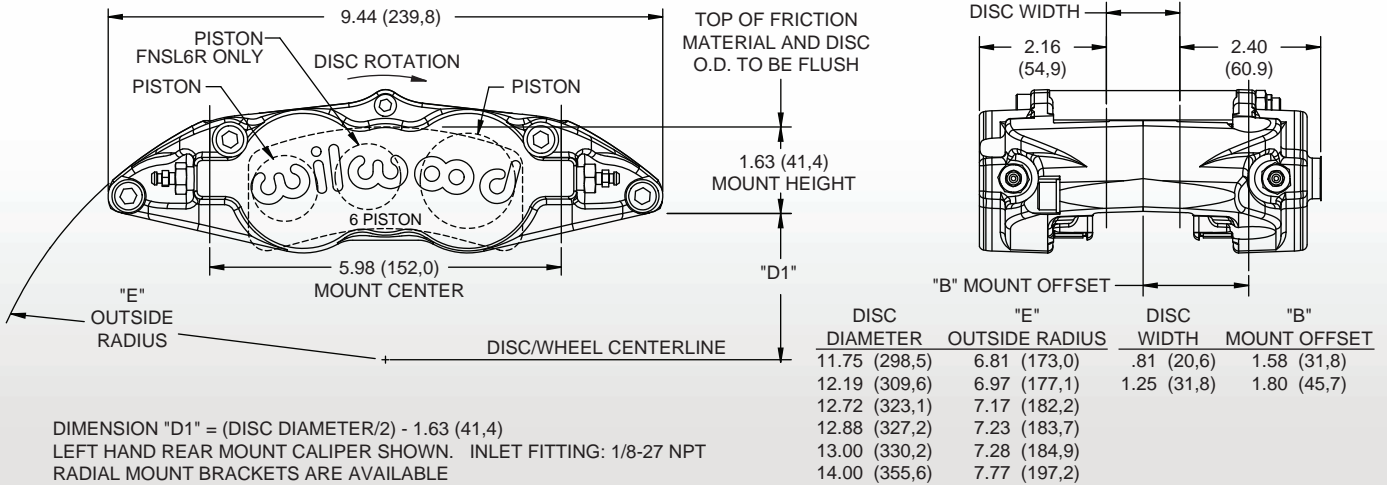
- Four and six piston models for .81" or 1.25" width rotors cover the full range of front and rear applications
- High strength, lightweight, reinforced bridge forged billet aluminum radial mount body, with a removable center bridge pad retention bolt, provide maximum resistance to deflection and body separation under load
- Choice of Thermlock® or stainless steel pistons with high temperature seals for maximum heat protection and reliability
- Uses 20mm thick type 7420 brake pads
- Internal dampening springs to control piston knock back and excessive retraction on Thermlock® equipped models
- Recessed pocket design to protected bleed screws
- Internal fluid ports eliminate all problems and damage potential associated with external fluid tubes
- Black anodized or Quick-Silver nickel based finishes

ORDERING INFORMATION: SIX PISTON MODELS

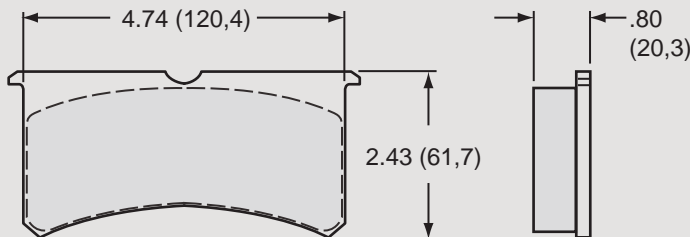
| PART NO. | CALIPER | PISTON SIZES | DISC WIDTH | PISTON TYPE | ORIENTATION | FINISH |
|-----------------------------|----------|-----------------|------------|-------------|-------------|----------------|
| 120-13235 | FSL6R | 1.62/1.12/1.12" | 1.25" | Stainless | Right Hand | Black Anodized |
| 120-13236 | FSL6R | 1.62/1.12/1.12" | 1.25" | Stainless | Left Hand | Black Anodized |
| 120-13237 | FSL6R | 1.62/1.12/1.12" | .81" | Stainless | Right Hand | Black Anodized |
| 120-13238 | FSL6R | 1.62/1.12/1.12" | .81" | Stainless | Left Hand | Black Anodized |
| 120-13267-N | FSL6R/ST | 1.62/1.12/1.12" | 1.25" | Thermlock® | Right Hand | Quick-Silver |
| 120-13268-N | FSL6R/ST | 1.62/1.12/1.12" | 1.25" | Thermlock® | Left Hand | Quick-Silver |

ORDERING INFORMATION: FOUR PISTON MODELS

| PART NO. | CALIPER | PISTON SIZES | DISC WIDTH | PISTON TYPE | ORIENTATION | FINISH |
|-------------|----------|--------------|------------|-------------|--------------|----------------|
| 120-13227 | FSL4R | 1.88/1.75" | 1.25" | Stainless | Right Hand | Black Anodized |
| 120-13228 | FSL4R | 1.88/1.75" | 1.25" | Stainless | Left Hand | Black Anodized |
| 120-13229 | FSL4R | 1.88/1.62" | 1.25" | Stainless | Right Hand | Black Anodized |
| 120-13230 | FSL4R | 1.88/1.62" | 1.25" | Stainless | Left Hand | Black Anodized |
| 120-13231 | FSL4R | 1.62/1.62" | 1.25" | Stainless | Right / Left | Black Anodized |
| 120-13232 | FSL4R | 1.25/1.25" | 1.25" | Stainless | Right / Left | Black Anodized |
| 120-13232-N | FSL4R | 1.25/1.25" | 1.25" | Stainless | Right / Left | Quick-Silver |
| 120-13233 | FSL4R | 1.25/1.25" | .81" | Stainless | Right / Left | Black Anodized |
| 120-13233-N | FSL4R | 1.25/1.25" | .81' | Stainless | Right / Left | Quick-Silver |
| 120-13234 | FSL4R | 1.12/1.12" | .81' | Stainless | Right / Left | Black Anodized |
| 120-13263-N | FSL4R/ST | 1.88/1.75" | 1.25" | Thermlock® | Right Hand | Quick-Silver |
| 120-13264-N | FSL4R/ST | 1.88/1.75" | 1.25" | Thermlock® | Left Hand | Quick-Silver |
| 120-13265-N | FSL4R/ST | 1.88/1.62" | 1.25" | Thermlock® | Right Hand | Quick-Silver |
| 120-13266-N | FSL4R/ST | 1.88/1.62" | 1.25" | Thermlock® | Left Hand | Quick-Silver |
| 120-13575-N | FSL4R/ST | 1.25/1.25" | .81' | Thermlock® | Right / Left | Quick-Silver |
| 120-13576-N | FSL4R/ST | 1.25/1.25" | 1.25" | Thermlock® | Right / Left | Quick-Silver |



Forged Superlite 4R/6R Caliper, Dimensional Characteristics



| AXLE SET P/N | PAD TYPE / COMPOUND |
|--------------|-------------------------|
| 15A - 5938K | 7420 A PolyMatrix |
| 15B - 5939K | 7420 B PolyMatrix |
| 15C - 6853K | 7420 C PolyMatrix |
| 15E - 6084K | 7420 E PolyMatrix |
| 15H - 8114K | 7420 H PolyMatrix |
| 15J - 6443K | 7420 J PolyMatrix |
| 15Q - 6829K | 7420 Q PolyMatrix |
| 150 - 8854K | 7420 10 BP-10 Smart Pad |
| 150 - 9416K | 7420 20 BP-20 Smart Pad |
| 150 - 9864K | 7420 30 BP-30 Smart Pad |
| 150 - 12245K | 7420 40 BP-40 Smart Pad |

Forged Superlite 4R/6R Caliper, Type 7420 Brake Pad Dimensions and Ordering Information