

MASTER CYLINDER FLUID RESERVOIR

SPECIFICATION SHEET • INSTRUCTIONS

Reservoir Kit Part Numbers

260-12696 • 260-12697



Reservoir Kit 260-12697 Shown

Part Number	Description
260-12696	Direct mount 4 ounce billet aluminum fluid reservoir with 11/16-20 thread adapter
260-12697	Remote mount 4 ounce billet aluminum fluid reservoir with mounting bracket and 3/8-24 thread -3 AN fluid connector.

General Information

- **NOTE: If replacing the stock master cylinder, additional brake line plumbing may be required.**
- Part number 260-12696, Figure 1 is a direct mount billet aluminum reservoir designed specifically to mount to Wilwood's flange or side mount compact short master cylinders via the 11/16-20 internally threaded reservoir support. Master cylinder part numbers 260-10371 thru 260-10376 and 260-12384 thru 260-12389.
- Part number 260-12697, Figure 2 is a remote mount billet aluminum reservoir designed specifically to mount away from the master cylinder body using the supplied mounting bracket. Connection to the master cylinder is via the 3/8-24 thread -3 AN fluid fitting and a -3 AN flexline.
- To order flexlines to connect the reservoir to the master cylinder.

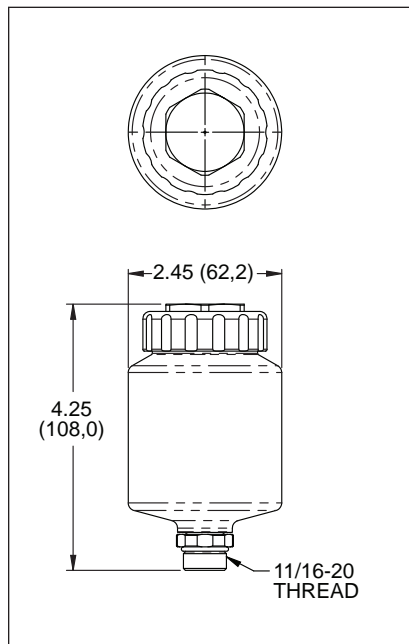


Figure 1. Part Number 260-12696
Mounting Dimensions

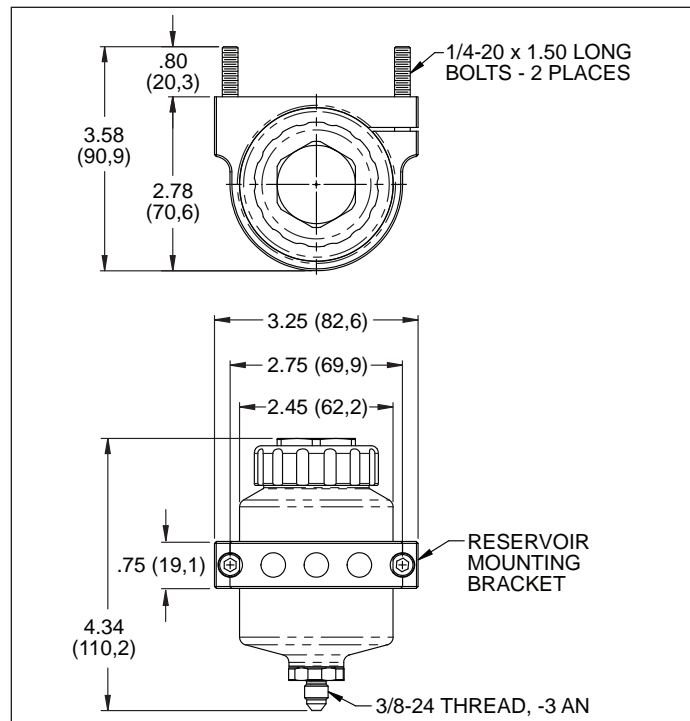


Figure 2. Part Number 260-12697
Mounting Dimensions

WARNING

THIS COMPONENT IS DESIGNED FOR USE IN CUSTOM BRAKE SYSTEMS ON PERFORMANCE, RACING, AND OTHER SPECIAL PURPOSE BUILT OFF-ROAD VEHICLES. IT IS NOT INTENDED AS A DIRECT REPLACEMENT FOR ANY OEM APPLICATION.

Master Cylinder Installation

- Fill the reservoir(s) with Wilwood fluid from a new, sealed container and purge any air from the master cylinder. Be sure the cylinder is level during the bleeding operation. If the cylinder is not level when mounted in the vehicle, bench bleed the master cylinder prior to installation to its vehicle mount. Exercise care to not spill or spray brake fluid. Take all proper safety precautions including eye and skin protection and do not position your face directly above the reservoir. This process will assure a quick and effective full system bleed later.
- Once all fluid connections have been made, the complete system must be bled and checked for leaks prior to any test of the vehicle.

Plumbing Notes and Precautions

- Use of reinforced flexible lines should be limited to the connection between the fixed chassis and the moving suspension. All other lines along the fixed chassis should be hard steel lines.
- On four wheel disc brake applications, where the fluid reservoir is mounted higher than the caliper bleed screws, a residual pressure valve is usually not required.
- Disc brake applications where the fluid reservoir is mounted lower than the caliper bleed screws may require a 2-pound residual pressure valve. This can prevent fluid drain back and excessive pedal travel on initial engagement.
- All drum brake applications require an inline 10-pound residual pressure valve.
- Use an adjustable proportioning valve to set the front to rear brake bias.

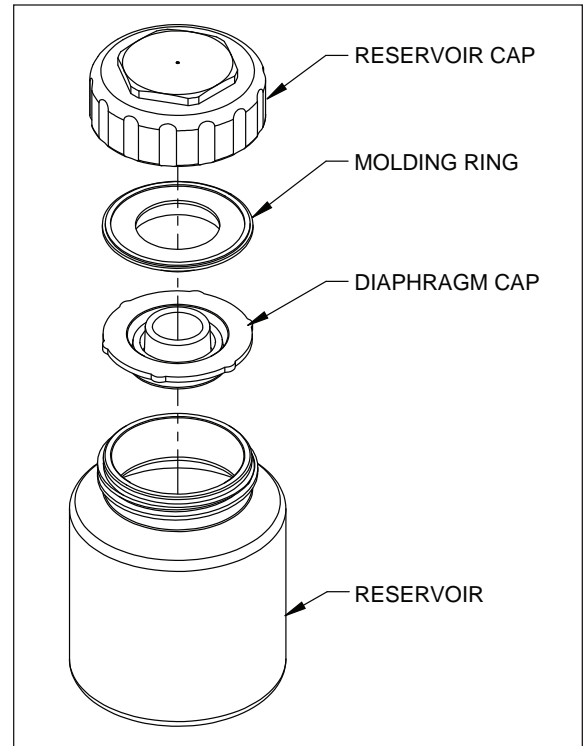


Figure 3. Diaphragm Bellows Gasket

Flexline Kits

<u>Part No.</u>	<u>Description</u>
220-12992	6.00 Inch Long -3 AN Stainless Steel Flexline with -3 to11/16-20 Remote Inlet Adapter
220-12993	8.00 Inch Long -3 AN Stainless Steel Flexline with -3 to11/16-20 Remote Inlet Adapter
220-13004	10.00 Inch Long -3 AN Stainless Steel Flexline with -3 to11/16-20 Remote Inlet Adapter
220-13005	12.00 Inch Long -3 AN Stainless Steel Flexline with -3 to11/16-20 Remote Inlet Adapter

Accessories

<u>Part No.</u>	<u>Description</u>	<u>Part No.</u>	<u>Description</u>
260-1874	2 PSI Residual Pressure Valve	260-11179	Knob Style Combination Proportioning Valve
260-1876	10 PSI Residual Pressure Valve	290-0632	Wilwood Hi-Temp 570 DOT 3 Fluid
260-8419	Knob Adjustable Proportioning Valve	290-6209	Wilwood EXP 600 Plus Super Hi-Temp Fluid
260-8420	Lever Adjustable Proportioning Valve		
330-12645	Master Cylinder Direct Replacement Reservoir Cap with Electronic Fluid Float Sensor for 4 Ounce Reservoir		

WARNING • DO NOT DRIVE ON UNTESTED BRAKES
BRAKES MUST BE TESTED AFTER INSTALLATION OR MAINTENANCE
MINIMUM TEST PROCEDURE

- Make sure pedal is firm: Hold firm pressure on pedal for several minutes, it should remain in position without sinking. If pedal sinks toward floor, check system for fluid leaks. DO NOT drive vehicle if pedal does not stay firm or can be pushed to the floor with normal pressure.
- At very low speed (2-5 mph) apply brakes hard several times while turning steering from full left to full right, repeat several times. Remove the wheels and check that components are not touching, rubbing, or leaking.
- Carefully examine all brake components, brake lines, and fittings for leaks and interference.
- Make sure there is no interference with wheels or suspension components.
- Drive vehicle at low speed (15-20 mph) making moderate and hard stops. Brakes should feel normal and positive. Again check for leaks and interference.
- Always test vehicle in a safe place where there is no danger to (or from) other people or vehicles.
- Always wear seat belts and make use of all safety equipment.