

**ASSEMBLY INSTRUCTIONS**  
FOR  
**1957-1960 GENERAL MOTORS CADILLAC\***

**DYNALITE FRONT BRAKE KIT WITH  
11.88" DIAMETER VENTED ROTOR**

BASE PART NUMBER

**140-15162**

**DISC BRAKES SHOULD ONLY BE INSTALLED BY SOMEONE  
EXPERIENCED AND COMPETENT IN THE INSTALLATION AND  
MAINTENANCE OF DISC BRAKES**  
**READ ALL WARNINGS**



**WARNING**

**DO NOT OPERATE ANY VEHICLE ON UNTESTED BRAKES!  
SEE MINIMUM TEST PROCEDURE WITHIN**

ALWAYS UTILIZE SAFETY RESTRAINT SYSTEMS AND ALL OTHER AVAILABLE SAFETY EQUIPMENT WHILE OPERATING THE VEHICLE

**IMPORTANT • READ THE DISCLAIMER OF WARRANTY INCLUDED IN THE KIT**

NOTE: Some cleaners may stain or remove the finish on brake system components. Test the cleaner on a hidden portion of the component before general use.

## Important Notice - Read This First

Before any tear-down or disassembly begins, review the following information:

- Review the Wheel Clearance Diagram (Figure 2, page 3) to verify that there is adequate clearance with the wheels you will be using with the installation.
- Due to OEM production differences and other variations from vehicle to vehicle, the fastener hardware and other components in this kit may not be suitable for a specific application or vehicle.
- It is the responsibility of the purchaser and installer of this kit to verify suitability / fitment of all components and ensure all fasteners and hardware achieve complete and proper engagement. Improper or inadequate engagement can lead to component failure.

## Photographic Tip

**Important** and highly recommended: Take photos of brake system before disassembly and during the disassembly process. In the event, trouble-shooting photos can be life savers. Many vehicles have undocumented variations, photos will make it much simpler for Wilwood to assist you if you have a problem.

## Exploded Assembly Diagram

**WARNING**  
INSTALLATION OF THIS KIT SHOULD **ONLY** BE PERFORMED BY PERSONS EXPERIENCED IN THE INSTALLATION AND PROPER OPERATION OF DISC BRAKE SYSTEMS.

**NOTE**  
SPECIFIC PARTS MAY VARY FROM DIAGRAM

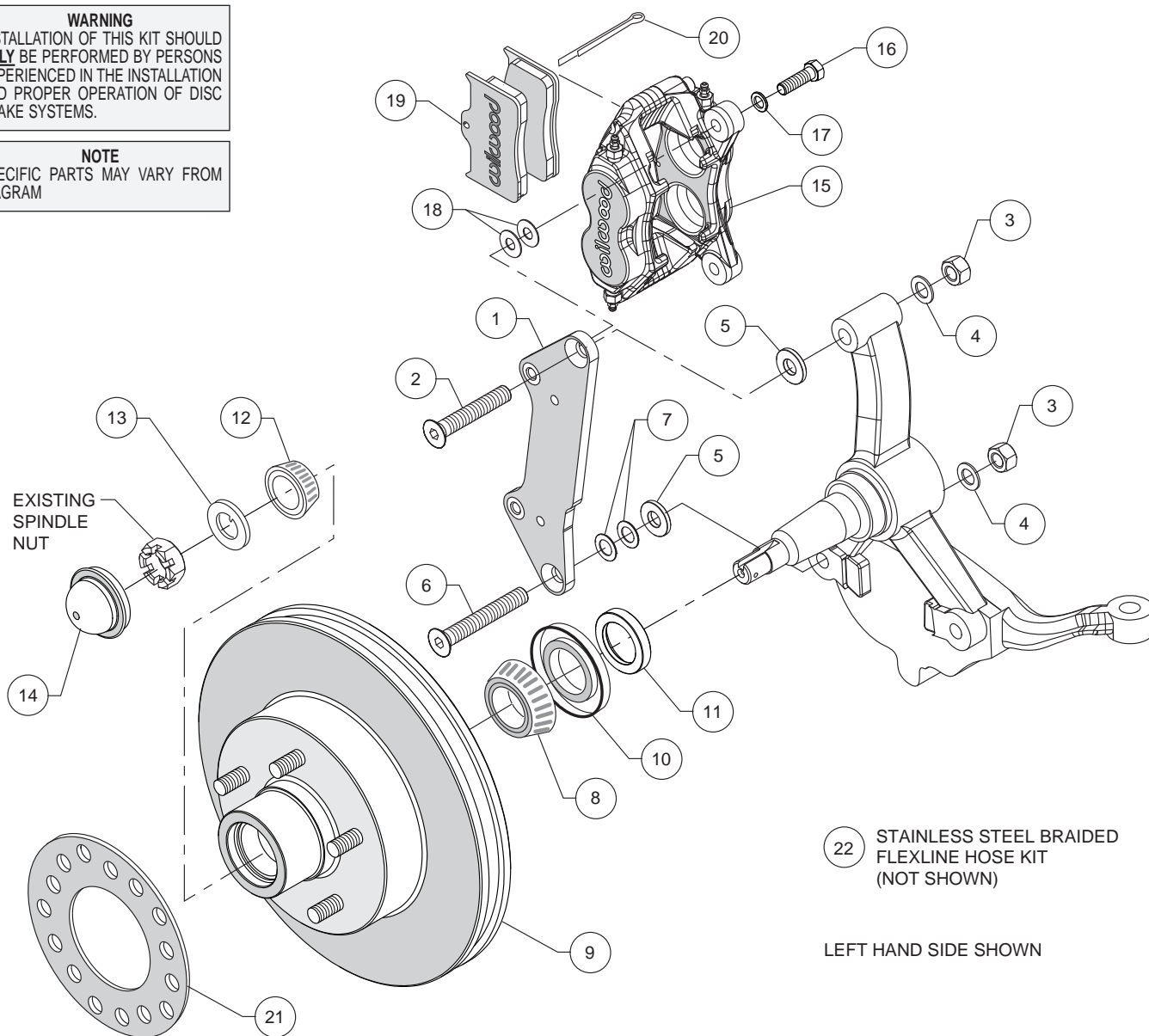


Figure 1. Typical Installation Configuration

## Parts List

| ITEM NO. | PART NO.     | DESCRIPTION  | QTY |
|----------|--------------|--|-----|
| 1        | 250-15166    | Bracket, Caliper Mounting                            | 2   |
| 2        | 230-3908     | Bolt, 1/2-13 x 3.00 Long, Flat Head                  | 2   |
| 3        | 230-13222    | Nut, 1/2-13, Hex                                     | 4   |
| 4        | 240-11102    | Washer, .515 I.D. x .875 O.D. x .063 Thick           | 4   |
| 5        | 300-15165    | Spacer, .147 Long                                    | 4   |
| 6        | 230-15213    | Bolt, 1/2-13 x 3.50 Long, Flat Head                  | 2   |
| 7        | 240-0849     | Shim, .032 Thick                                     | 10  |
| 8        | 370-2609     | Cone, Inner Bearing                                  | 2   |
| 9        | 160-12320    | Rotor, 1.29" Thk x 11.88" Dia, 5 x 5.00" Bolt Circle | 2   |
| 10       | 380-10792    | Seal, Grease   | 2   |
| 11       | 300-15167    | Spacer, Spindle, 1.38 I.D. x 2.00 O.D. x .262 Thick  | 2   |
| 12       | 370-9542     | Cone, Outer Bearing                                  | 2   |
| 13       | 240-12207    | Washer, Spindle, .844 I.D. x 1.50 O.D.               | 2   |
| 14       | 270-12403    | Cap, Dust  | 2   |
| 15       | 120-13745-BK | Caliper, Forged Dynalite, Black                      | 2   |
| 15A      | 120-13745-RD | Caliper, Forged Dynalite, Red                        | 2   |
| 16       | 230-10025    | Bolt, 3/8-24 x 1.25 Long, Hex Head                   | 4   |
| 17       | 240-10190    | Washer, .391 I.D. x .625 O.D. x .063 Thick           | 4   |
| 18       | 240-1159     | Shim, .035 Thick                                     | 16  |
| 19       | 150-8850K    | Pad, BP-10, Axle Set                                 | 1   |
| 20       | 180-0056S    | Pin, Cotter, Brake Pad                               | 2   |
| 21       | 300-11961    | Spacer, Wheel, .20 Thick                             | 2   |
| 22       | 220-6471     | Braided Stainless Steel Flexline Kit (not shown)     | 1   |

### NOTES:

Part Number 230-11861 Bolt Kit, caliper mounting, includes part numbers 230-10025, 240-1159, and 240-10190

Part Number 230-15163 Bolt Kit, bracket to spindle, includes p/n's 230-3908, 230-13222, 230-15213, 240-0849, 240-11102, and 300-15165

Item 15A is an optional item and is available in the (R) red caliper kits. Add -R to end of part number when ordering.

## General Information and Disassembly Instructions

Installation of this kit should **ONLY** be performed by persons experienced in the installation and proper operation of disc brake systems. Before assembling the Wilwood disc brake kit, double check the following items to ensure a trouble-free installation.

- Make sure this is the correct kit to match the exact make and model year of the vehicles spindle. This kit is designed for direct bolt-on installation to 1957 through 1960 model year General Motors Cadillac.
- Inspect the package contents against the parts list to ensure that all components and hardware are included.
- Verify the new hub stud pattern in this kit matches the lug pattern of the vehicles wheels.
- Verify your wheel clearance using Figure 2.

### Disassembly Instructions

- Disassemble the original equipment front brakes:

Raise the front wheels off the ground and support the front suspension according to vehicle manufacturer's instructions.

Remove the front wheels and completely disassemble the stock brake system down to the bare spindles. Save the Original Equipment Manufacturer (OEM) spindle nuts and nut locks (if any).

- Remove any nicks or burrs on the spindle mount faces that may interfere with the installation of the new brake components.

- Clean and de-grease the spindles and saved components.

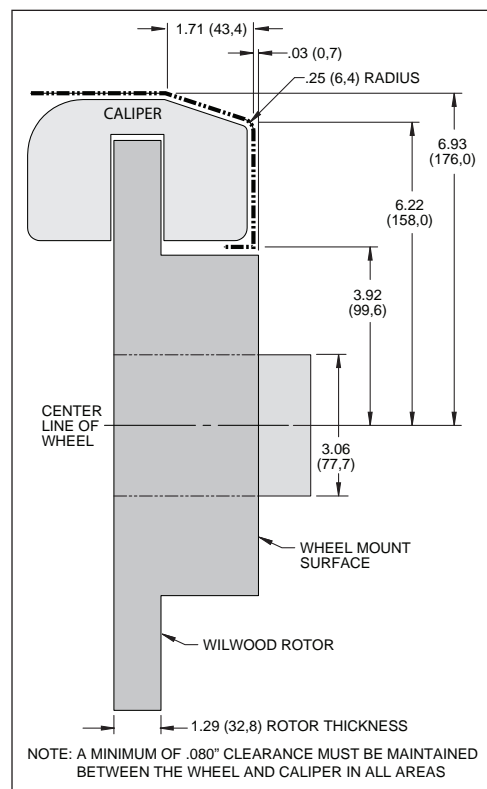


Figure 2. Wheel Clearance Diagram

## Assembly Instructions

**Assembly Instructions** (numbers in parenthesis refer to the parts list and Figure 1 on the preceding pages): **CAUTION:** All mounting bolts must fully engage clinch nuts. Be sure to check that all bolts are either flush or protruding through flanged side of clinch nut after shimming, Figure 3.

•**NOTE:** The spindles on this vehicle are asymmetrical, however they are the same on both the right and left side. Therefore, the Wilwood caliper is mounted in front of the axle on the left side and behind the axle on the right.

•The caliper bracket (1) should initially be installed with clean, dry threads on the mounting bolts. Orient the bracket as shown in Figure 1 and Photo 1, and install using bolts (2/6), nuts (3) and washers (4). Place a .147" thick spacer (5) positioned between the bracket and spindle on both the upper and lower bolts, as shown in Figure 1. Initially place two .032" thick shims (7) on the lower bolt between the bracket and spacer, Figure 1. Ensure that the flanged heads of the clinch nuts in the bracket are facing outboard, Photo 1. Temporarily tighten the mounting bolts.

•**NOTE:** The bracket must fit squarely against the mounting points on the spindle. Inspect for interference from casting irregularities, machining ridges, burrs, etc. Later, after the bracket alignment has been checked, the bolts will be secured using red *Loctite*® 271.

•Pack the large inner bearing cone (8) with high temperature disc brake bearing grease (available from your local auto parts store) and install into the backside of the hub (9), Photo 2.

•Install the grease seal (10) by pressing into the backside of the hub (9), flush with the end of the hub.

•Slide the bearing spacer (11) onto the spindle. Ensure the chamfered I.D. faces inward, Photo 3.

•Temporarily install the hub/rotor (9) onto the spindle using outer bearing (12), spindle washer (13), and spindle nut. Check that the caliper mounting bracket (1) is aligned parallel to the rotor, Photo 4. If not, adjust by adding or subtracting shims (7) on the lower bolt between spacer and bracket, Figure 1. Once the bracket alignment is correct, remove bolts one at a time, apply red *Loctite*® 271 to the threads and torque nuts to 77 ft-lb.

•Remove hub/rotor and pack the small outer bearing cone (12) with high temperature disc brake bearing grease and final install into the front side of the hub (9). Slide the hub/rotor onto the spindle. Secure using spindle washer (13), and original spindle nut. Bearing adjustment: Tighten the nut while turning the hub. When there is a slight bind on the bearings, they are seated correctly. Back the nut off about 1/6 to 1/4 of a turn, or sufficiently to allow .001" to .007" end play. **WARNING:** Failure to back off adjusting nut could cause bearing to run hot and be damaged, which could cause the wheel to lock or come off. Install a new cotter pin (not supplied), Photo 5.

•Press the dust cap (14) into the hub (9), Photo 6.



Photo 1



Photo 2

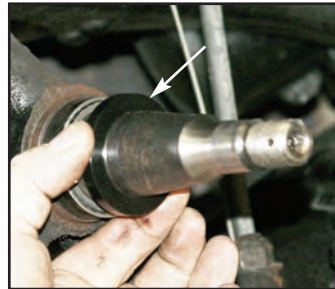


Photo 3

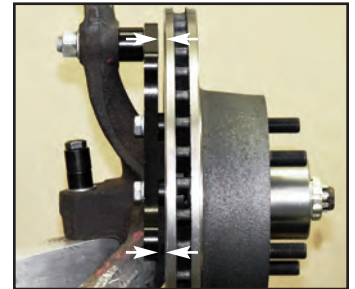


Photo 4  
(Generic Example)



Photo 5



Photo 6



Photo 7

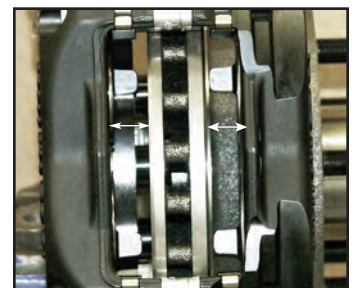


Photo 8

## Assembly Instructions (Continued)

•**NOTE:** Please reference the caution statement at the beginning of the assembly instructions. Mount the caliper (15) onto the caliper mounting bracket (1) using bolts (16) and washers (17), as shown in Figure 1. Initially place two .035" thick shims (18) on each bolt between the caliper and the bracket, Photo 7. Temporarily tighten the mounting bolts and view the rotor (9) through the top opening of the caliper. The rotor should be centered in the caliper, Photo 8. If not, adjust by adding or subtracting shims between the bracket and the caliper. Always use the same amount of shims on each of the two mounting bolts. **NOTE:** The end of each bolt must be flush with or slightly protruding from the head of the clinch nut, as shown in Figure 3. If necessary place spare shims between washer (17) and caliper mounting ear to achieve the proper clinch nut engagement. Once the caliper alignment and clinch nut engagement are correct, remove the bolts one at a time, apply red *Loctite*® 271 to the threads, and torque to 40 ft-lb.

•Install the disc brake pads (19) into the caliper, with the friction material facing the rotor (9), Photo 9. Secure in place using cotter pin (20), Photo 10.

•Install wheel spacer (21), if necessary for wheel clearance, Figure 1 and Photo 11. Temporarily install wheel and torque lug nuts to manufacturer's specification. Ensure that the wheel rotates freely without any interference.

•**NOTE:** OEM rubber brake hoses generally cannot be adapted to Wilwood calipers. The caliper inlet fitting is a 1/8-27 NPT. Install Wilwood's stainless steel braided flexline hose kit (22), P/N 220-6471 included with this kit, Photo 12. **Carefully route hoses to prevent contact with moving suspension, brake or wheel components.** **NOTE:** Wilwood hose kits are designed for use in many different vehicle applications and it is the installer's responsibility to properly route and ensure adequate clearance and retention for brake hose components.

•**NOTE:** Specified brake hose kits may not work with all Years, Makes and Models of vehicle that this brake kit is applicable to, due to possible OEM manufacturing changes during a production vehicle's life. It is the installer's responsibility to ensure that all fittings and hoses are the correct size and length, to ensure proper sealing and that they will not be subject to crimping, strain and abrasion from vibration or interference with suspension components, brake rotor or wheel.

•In absence of specific instructions for brake line routing, the installer must use his best professional judgment on correct routing and retention of lines to ensure safe operation. Test vehicle brake system per the 'minimum test' procedure stated within this document before driving. After road testing, inspect for leaks and interference. Initially after install and testing, perform frequent checks of the vehicle brake system and lines before driving, to confirm that there is no undue wear or interference not apparent from the initial test. Afterwards, perform periodic inspections for function, leaks and wear in a interval relative to the usage of vehicle.

•Bleed the brake system, referring to the additional information and recommendations on page 6 for proper bleeding instructions. Check system for leaks after bleeding.

•Install the wheel and torque to manufacturer's specifications.

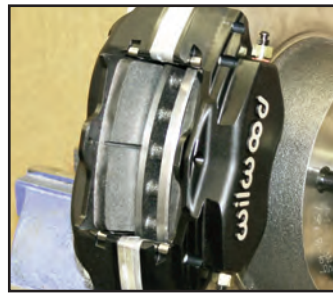


Photo 9

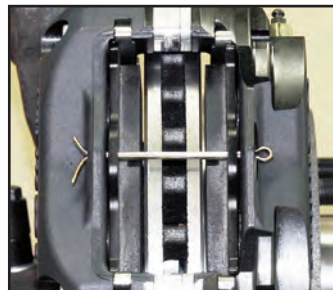


Photo 10



Photo 11

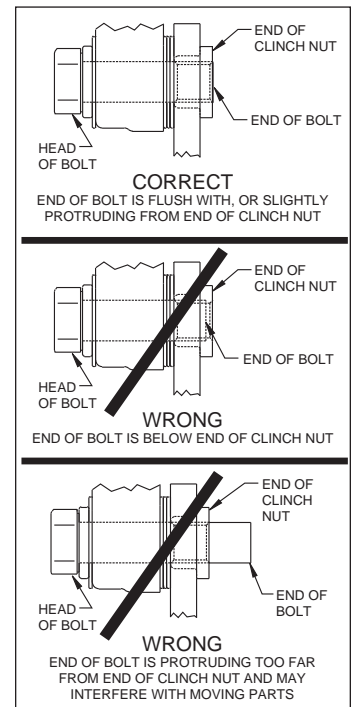


Figure 3. Clinch Nut Engagement Diagram



Photo 12

## Balancing the Brake Bias on 4 Wheel Disc Vehicles

### •OE Style or Single Mount Race Pedal with Tandem Outlet Master Cylinder:

Front to rear caliper piston sizes, rotor diameters, and pad compounds must be initially configured to provide the correct range of vehicle bias when using a single bore / tandem outlet master cylinder. If excessive rear brake bias is experienced, an in-line adjustable proportioning valve can be used to decrease the rear line pressure to help bring the vehicle into balance. If excessive front brake bias is experienced, first consideration should be given to increasing the rear brake bias to bring the vehicle into overall balance.

### •Race Pedal with Dual Master Cylinders and Balance Bar:

Master cylinders must be sized to match the calipers and allow the pedal balance bar to operate near the center of its travel. If it is not possible to fine tune the bias within the adjustable range of the balance bar, then consideration must be given to changing a master cylinder bore size or some other aspect of the brake system to bring the car into balance. Larger bore master cylinders will generate less pressure while decreasing pedal travel. Smaller bores master cylinders will generate higher line pressures with an increase in pedal travel.

## Additional Information and Recommendations

•Fill and bleed the new system with Wilwood Hi-Temp<sup>o</sup> 570 grade fluid or higher. For severe braking or sustained high heat operation, use Wilwood EXP 600 Plus Racing Brake Fluid. Used fluid must be completely flushed from the system to prevent contamination.

**NOTE:** *Silicone DOT 5 brake fluid is **NOT** recommended for racing or performance driving.*

•To properly bleed the brake system, begin with the caliper farthest from the master cylinder. Bleed the outboard bleed screw first, then the inboard. Repeat the procedure until all calipers in the system are bled, ending with the caliper closest to the master cylinder.

**NOTE:** *When using a new master cylinder, it is important to bench bleed the master cylinder first.*

•If the master cylinder is mounted lower than the disc brake calipers, some fluid flowback to the master cylinder reservoir may occur, creating a vacuum effect that retracts the caliper pistons into the housing. This will cause the pedal to go to the floor on the first stroke until it has “pumped up” and moved all the pistons out against the pad again. A Wilwood in-line two pound residual pressure valve, installed near the master cylinder will stop the fluid flowback and keep the pedal firm and responsive.

•Test the brake pedal. It should be firm, not spongy and stop at least 1 inch from the floor under heavy load.

If the brake pedal is spongy, bleed the system again.

If the brake pedal is initially firm, but then sinks to the floor, check the system for fluid leaks. Correct the leaks (if applicable) and then bleed the system again.

If the brake pedal goes to the floor and continued bleeding of the system does not correct the problem, a master cylinder with increased capacity (larger bore diameter) will be required. Wilwood offers various lightweight master cylinders with large fluid displacement capacities.

•**NOTE:** *With the installation of after market disc brakes, the wheel track may change depending on the application. Check your wheel offset before final assembly.*

•On some models of disc brake spindles there are “ears” where the OEM calipers were mounted and these “ears” interfere with the assembly of the Wilwood disc brake kit. If it becomes necessary to remove these “ears”, remove as little as possible being careful not to cut away any of the mounting holes that may be required to bolt on the caliper mounting bracket.

•If after following the instructions, you still have difficulty in assembling or bleeding your Wilwood disc brakes, consult your local chassis builder, or retailer where the kit was purchased for further assistance.

## Brake Testing

### **WARNING • DO NOT DRIVE ON UNTESTED BRAKES BRAKES MUST BE TESTED AFTER INSTALLATION OR MAINTENANCE MINIMUM TEST PROCEDURE**

- Make sure pedal is firm: Hold firm pressure on pedal for several minutes, it should remain in position without sinking. If pedal sinks toward floor, check system for fluid leaks. DO NOT drive vehicle if pedal does not stay firm or can be pushed to the floor with normal pressure.
- At very low speed (2-5 mph) apply brakes hard several times while turning steering from full left to full right, repeat several times. Remove the wheels and check that components are not touching, rubbing, or leaking.
- Carefully examine all brake components, brake lines, and fittings for leaks and interference.
- Make sure there is no interference with wheels or suspension components.
- Drive vehicle at low speed (15-20 mph) making moderate and hard stops. Brakes should feel normal and positive. Again check for leaks and interference.
- Always test vehicle in a safe place where there is no danger to (or from) other people or vehicles.
- Always wear seat belts and make use of all safety equipment.

## Pad and Rotor Bedding

### **BEDDING STEPS FOR NEW PADS AND ROTORS – ALL COMPOUNDS**

Once the brake system has been tested and determined safe to operate the vehicle, follow these steps for the bedding of all new pad materials and rotors. These procedures should only be performed on a race track, or other safe location where you can safely and legally obtain speeds up to 65 MPH, while also being able to rapidly decelerate.

- Begin with a series of light decelerations to gradually build some heat in the brakes. Use an on-and-off the pedal technique by applying the brakes for 3-5 seconds, and then allow them to fully release for a period roughly twice as long as the deceleration cycle. If you use a 5 count during the deceleration interval, use a 10 count during the release to allow the heat to sink into the pads and rotors.
- After several cycles of light stops to begin warming the brakes, proceed with a series of medium to firm deceleration stops to continue raising the temperature level in the brakes.
- Finish the bedding cycle with a series of 8-10 hard decelerations from 55-65 MPH down to 25 MPH while allowing a proportionate release and heat-sinking interval between each stop. The pads should now be providing positive and consistent response.
- If any amount of brake fade is observed during the bed-in cycle, immediately begin the cool down cycle.
- Drive at a moderate cruising speed, with the least amount of brake contact possible, until most of the heat has dissipated from the brakes. Avoid sitting stopped with the brake pedal depressed to hold the car in place during this time. Park the vehicle and allow the brakes to cool to ambient air temperature.

### **COMPETITION VEHICLES**

- If your race car is equipped with brake cooling ducts, blocking them will allow the pads and rotors to warm up quicker and speed up the bedding process.
- Temperature indicating paint on the rotor and pad edges can provide valuable data regarding observed temperatures during the bedding process and subsequent on-track sessions. This information can be highly beneficial when evaluating pad compounds and cooling efficiencies.

## Pad and Rotor Bedding (Continued)

### POST-BEDDING INSPECTION – ALL VEHICLES

- After the bedding cycle, the rotors should exhibit a uniformly burnished finish across the entire contact face. Any surface irregularities that appear as smearing or splotching on the rotor faces can be an indication that the brakes were brought up to temperature too quickly during the bedding cycle. If the smear doesn't blend away after the next run-in cycle, or if chatter under braking results, sanding or resurfacing the rotors will be required to restore a uniform surface for pad contact.

### PRE-RACE WARM UP

- Always make every effort to get heat into the brakes prior to each event. Use an on-and-off the pedal practice to warm the brakes during the trip to the staging zone, during parade laps before the flag drops, and every other opportunity in an effort to build heat in the pads and rotors. This will help to ensure best consistency, performance, and durability from your brakes.

### DYNO BEDDED COMPETITION PADS AND ROTORS

- Getting track time for a proper pad and rotor bedding session can be difficult. Wilwood offers factory dyno-bedded pads and rotors on many of our popular competition pads and **Spec 37** GT series rotors. Dyno-bedded parts are ready to race on their first warm up cycle. This can save valuable time and effort when on-track time is either too valuable or not available at all, Dyno-bedding assures that your pads and rotors have been properly run-in and are ready to go. Contact your dealer or the factory for more information on Wilwood Dyno-Bedding services.

### NOTE:

*NEVER allow the contact surfaces of the pads or rotors to be contaminated with brake fluid. Always use a catch bottle with a hose to prevent fluid spill during all brake bleeding procedures.*

## Associated Components

| <u>PART NO.</u> | <u>DESCRIPTION</u>  |
|-----------------|---|
| 260-8555        | Wilwood 1.00" Bore Aluminum Tandem Master Cylinder  |
| 260-8556        | Wilwood 1.12" Bore Aluminum Tandem Master Cylinder  |
| 260-1874        | Wilwood Residual Pressure Valve (2 lb for disc brakes)  |
| 260-1876        | Wilwood Residual Pressure Valve (10 lb for drum brakes)   |
| 260-8419        | Wilwood Proportioning Valve   |
| 260-11179       | Wilwood Combination Proportioning Valve with Brake Light Switch   |
| 290-0632        | Wilwood Racing Brake Fluid (Hi-Temp° 570) (12 oz)   |
| 290-6209        | Wilwood Racing Brake Fluid (EXP 600 Plus) (16.9 oz)   |
| 290-11084       | Wilwood "FIVE" DOT 5 Silicone Brake Fluid (12 oz) • NOT Recommended for Racing                          |
| 150-9413K       | BP-20 Street Performance / Racing Brake Pads • Baseline Pad for Track Oriented Street Cars              |
| 150-12243K      | BP-40 High Temperature Racing Brake Pads • Race Only Pad for Severe Duty Oval, Road Course, or Off-Road |
| 220-7056        | Stainless Steel Braided Flexline Kit, Universal, 14 Inch, Domestic, 3/8-24 IF                           |
| 220-7699        | Stainless Steel Braided Flexline Kit, Universal, 16 Inch, Domestic, 3/8-24 IF                           |
| 220-8307        | Stainless Steel Braided Flexline Kit, Universal, 18 Inch, Domestic, 3/8-24 IF                           |
| 220-8338        | Stainless Steel Braided Flexline Kit, Universal, 14 Inch, Metric 10mm x 1.0                             |
| 220-6856        | Stainless Steel Braided Flexline Kit, Universal, 18 Inch, Metric 10mm x 1.0                             |
| 220-6471        | Stainless Steel Braided Flexline Kit, 1957-1960 Cadillac, Front   |