

ASSEMBLY INSTRUCTIONS
FOR
**SUPERLITE 6R FRONT BRAKE KIT WITH HUB
AND 14.00" DIAMETER VENTED ROTOR**

**1959 - 1964 CHEVROLET IMPALA
1963 - 1964 CHEVROLET CORVETTE**

PART NUMBER GROUP

140-12465

**DISC BRAKES SHOULD ONLY BE INSTALLED BY SOMEONE
EXPERIENCED AND COMPETENT IN THE INSTALLATION
AND MAINTENANCE OF DISC BRAKES
READ ALL WARNINGS**



Photographic Tip

We suggest you take digital photos of the brake system setup before and during the disassembly procedure. This will aid in the event that something is not compatible with the new brake components and be a valuable tool to assist in the trouble-shooting process.

Exploded Assembly Diagram

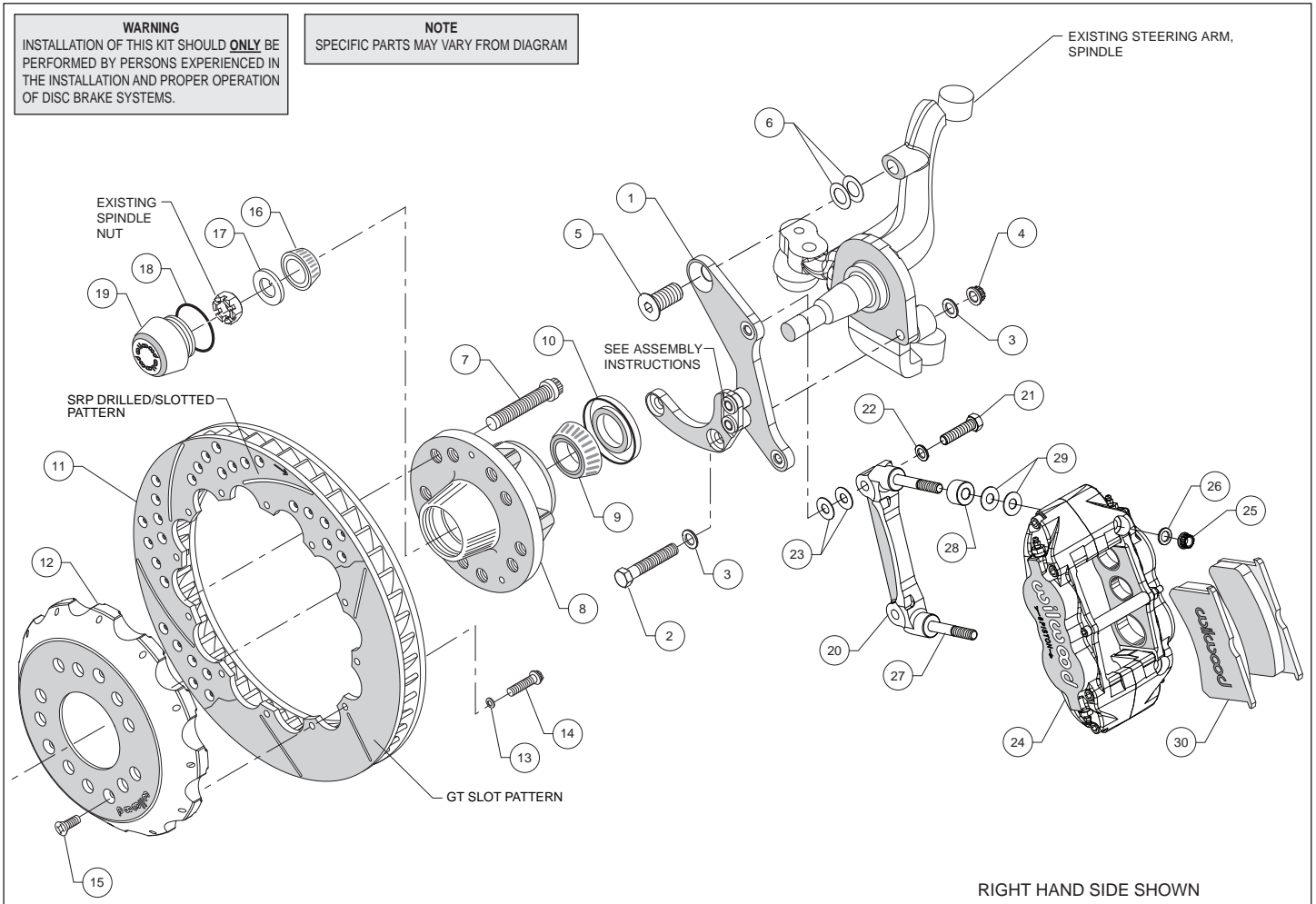


Figure 1. Typical Installation Configuration

Parts List

| <u>ITEM NO.</u> | <u>PART NO.</u> | <u>DESCRIPTION</u> | <u>QTY</u> |
|-----------------|-----------------|--|------------|
| 1 | 249-12510/11 | Bracket Kit, Caliper Mounting (pair, one each, left and right) | 1 |
| 2 | 230-10426 | Bolt, 7/16-20 x 2.50 Long, Hex Head | 4 |
| 3 | 240-11101 | Washer, .453 I.D. x .750 O.D. x .063 Thick | 8 |
| 4 | 230-9182 | Nut, 7/16-20, 12 Point | 4 |
| 5 | 230-10421 | Bolt, 5/8-18 x 1.12 Long, Flat Head | 2 |
| 6 | 240-9074 | Shim, .024 Thick | 6 |
| 7 | 230-6959 | Stud, Wheel, 1/2-20 x 2.00 Long, 12 Point | 10 |
| 8 | 270-7631 | Hub Assembly | 2 |
| 9 | 370-0879 | Cone, Inner Bearing | 2 |
| 10 | 380-0928 | Seal, Grease | 2 |
| 11 | 160-8402/03 | Rotor, 1.10" Thk x 14.00" Dia, 12 x 8.75" Bolt Circle | 2 |
| 11A | 160-8400/01-BK | Rotor, Drilled and Slotted (pair, one each, left and right) | 2 |
| 12 | 170-12516 | Hat, 5 x 4.75, 1.50" Offset | 2 |
| 13 | 240-11240 | Washer, .265 I.D. x .500 O.D. x .063 Thick | 24 |
| 14 | 230-6737 | Bolt, 1/4-20 x 1.00 Long, 12 Point | 24 |
| 15 | 230-10419 | Bolt, 1/4-20 x .50 Long, Torx Flat Head | 6 |
| 16 | 370-0877 | Cone, Outer Bearing | 2 |
| 17 | 240-2283 | Washer, Spindle, 3/4 | 2 |
| 18 | 211-1674 | O-ring | 2 |
| 19 | 270-2158 | Cap, Dust | 2 |
| 20 | 250-12512 | Bracket, Caliper Mount | 2 |
| 21 | 230-12015 | Bolt, 3/8-24 x 1.50 Long, Hex Head | 4 |
| 22 | 240-10190 | Washer, .391 I.D. x .625 O.D. x .063 Thick | 4 |
| 23 | 240-1159 | Shim, .035 Thick | 16 |
| 24 | 120-11780/81-BK | Caliper, Forged Narrow Superlite 6R | 2 |
| 24A | 120-11780/81-RD | Caliper, Forged Narrow Superlite 6R, Red | 2 |
| 25 | 230-9183 | Nut, 3/8-24, Self Lock, 12 Point | 4 |
| 26 | 240-10190 | Washer, .391 I.D. x .625 O.D. x .063 Thick | 4 |
| 27 | 230-9079 | Stud, 3/8-16 x 3/8-24 x 3.15 Long (pre-installed in bracket) | 4 |
| 28 | 300-7392 | Spacer, .573 Long | 4 |
| 29 | 240-1159 | Shim, .035 Thick | 12 |
| 30 | 150-8855K | Pad, BP-10, Axle Set | 1 |

NOTES:

Part Number 230-11052 Bolt Kit, spindle bracket bolt kit, includes p/n's 230-9182, 230-10421, 230-10426, 240-9074, and 240-11101

Part Number 230-4572 Bolt Kit, rotor to hat, includes part numbers 230-6737 and 240-11240

Part Number 230-7032 Bolt Kit, hat to hub, includes part number 230-10419

Part Number 230-12517 Bolt Kit, caliper bracket to spindle bracket, includes part numbers 230-12015, 240-1159 and 240-10190

Part Number 250-12514 Bolt Kit, caliper to bracket, includes p/n's 230-9079, 230-9183, 240-1159, 240-10190, 250-12512 & 300-7392

Item 11A is an optional item and is available in the (D) drilled kits. Add -D to end of part number when ordering.

Item 24A is an optional item and is available in the (R) red kits. Add -R to end of part number when ordering.

General Information

*Installation of this kit should **ONLY** be performed by persons experienced in the installation and proper operation of disc brake systems. Before assembling the Wilwood front disc brake kit, double check the following items to ensure a trouble-free installation.*

- Make sure this is the correct kit to match the exact make and model year of the vehicles spindle (i.e., hubs for a 1963 Chevrolet spindle will not fit a 1968 spindle).
- Inspect the package contents against the parts list to ensure that all components and hardware are included.
- Verify the new hub stud pattern in this kit matches the lug pattern of the vehicles wheels.
- Verify your wheel clearance using Figure 2.

Disassembly and Assembly Instructions

Disassembly Instructions

- Disassemble the original equipment front brakes:

Raise the front wheels off the ground and support the front suspension according to vehicle manufacturer's instructions.

Remove the front wheels and completely disassemble the stock brake system down to the bare spindles. Save the Original Equipment Manufacturer (OEM) spindle nuts and nut locks (if any).

- Remove any nicks or burrs on the spindle mount faces that may interfere with the installation of the new brake components.
- Clean and de-grease the spindles and saved components.

Assembly Instructions (numbers in parenthesis refer to the parts list and Figure 1 on the preceding pages): **CAUTION:** All mounting bolts must fully engage clinch nuts. Be sure to check that all bolts are either flush or protruding through flanged side of clinch nut after shimming, Figure 4.

- The spindle bracket (1) has been assembled at the factory for alignment purposes. Loosen the two bolts that secure the brackets together so that the bolts are hand tight only. This will enable the bracket assembly to be adjusted to accommodate various spindle tolerances during assembly. Align bracket with the two lower holes on the spindle face and attach using bolts (2), washers (3), and secure using nuts (4), as shown in Figure 1 and Photo 1. Install bolt (5) through top of bracket while placing shims (6) between bracket and spindle, Figure 1. Initially use two .024" thick shims (6) on the top bolt between the bracket and upright. Temporarily tighten the mounting bolts. Ensure that the flanged heads of the clinch nuts in the bracket are facing outboard, Photo 1. **NOTE:** The bracket must fit squarely against the mounting points on the spindle. Inspect for interference from casting irregularities, machining ridges, burrs, etc.

- Check that the bracket is aligned parallel to the rotor by assembling and installing the hub/rotor per the step below. If not, adjust by adding or subtracting shims (6) between the spindle and bracket, Figure 1.

- Once the bracket alignment is correct, torque the lower bolt nuts to 47 ft-lb. Remove the upper bolt, apply red *Loctite*® 271 to threads, and torque to 140 ft-lb. Remove, one at a time, the bolts that secure the bracket assembly to each other, apply red *Loctite*® 271 to the threads and torque to 40 ft-lb.

- Install wheel studs (7) into the hub (8), Photo 2. Torque to 77 ft-lb. **NOTE:** There are two five lug patterns in the hub (5 x 4.50 and 5 x 4.75). Ensure the correct hub stud pattern is being used to fit the wheel application.

- Pack the large inner bearing cone (9) with high temperature disc brake bearing grease (available from your local auto parts store) and install into the backside of the hub (8), Photo 3.

- Install the grease seal (10) by pressing into the backside of the hub (8), flush with the end of the hub, Photo 3.

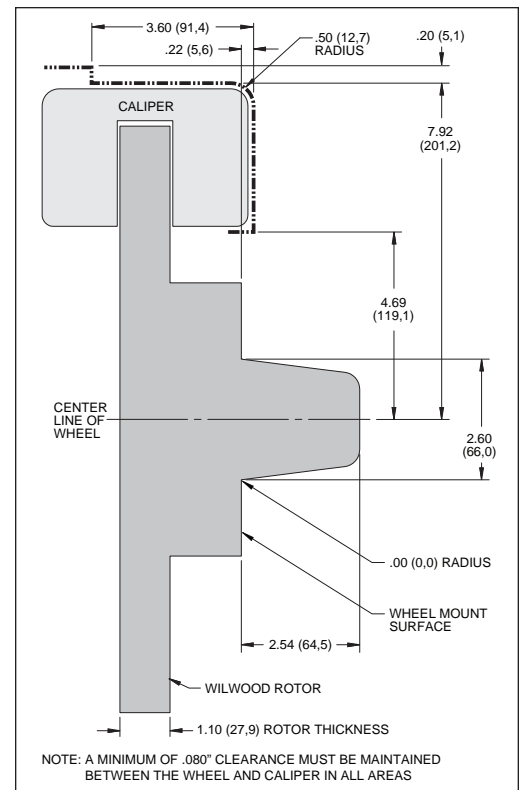


Figure 2. Wheel Clearance Diagram



Photo 1



Photo 2



Photo 3



Photo 4

Assembly Instructions (Continued)

- Orient the rotor (11) and the hat (12) as shown in Figure 1 and Photo 4. Attach rotor to hat using bolts (14) and washers (13). Using an alternating sequence, apply red *Loctite*[®] 271 to the threads, and torque to 155 **in-lbs**. For an added measure of security, the bolts may be safety wired using standard 0.032 inch diameter stainless steel safety wire as shown in Figure 3.

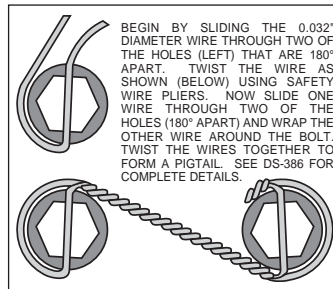


Figure 3. Safety Wire Diagram

- Pack the small outer bearing cone (16) with high temperature disc brake bearing grease and install into hub (8). Slide the hub assembly onto the spindle. Secure using spindle washer (17) and OEM spindle nut, Photo 5. Adjust bearings per OEM specifications. Install saved OEM nut lock (if any) and a new cotter pin (not included).



Photo 5

- Screw dust cap (19) into hub (8), Photo 6. Friction created by the o-ring (18) on the dust cap keeps it from unscrewing. **NOTE:** *The O.D. of the existing OEM spindle washer may be larger than the I.D. of the dust cap not allowing it to seat against the hub face. Therefore, use the spindle washer (17) supplied with the kit instead of the OEM washer.*



Photo 6

- Slide the hat/rotor assembly (11/12) onto the hub (8) taking care to align the small countersunk holes in the hat (12) with the small threaded holes in the hub. **NOTE:** *The hat must fit flush against the hub face or excessive rotor run out may result.* Install three flat head screws (15) through the small holes in the hat, Photo 6, and torque to 85 **in-lb**.

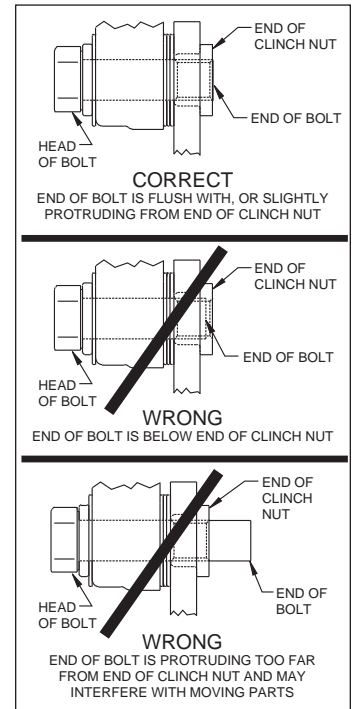


Figure 4. Clinch Nut Engagement Diagram

- The caliper mount bracket (20) should initially be installed with clean, dry threads on the mounting bolts. Orient the bracket as shown in Figure 1 and Photo 7, and install using bolts (21) and washers (22). Initially place two .035" thick shims (23) on each bolt between the bracket and the spindle bracket (1), Figure 1. Temporarily tighten the mounting bolts. Later, after the caliper alignment has been checked, the mount bolts will be secured using red *Loctite*[®] 271.



Photo 7

- **NOTE:** *This kit contains distinct right and left hand calipers that must be mounted in a specific direction, as described below.* Lubricate the caliper mounting studs (27) with lightweight oil. Initially place two .035" thick shims (29) and one spacer (28) on each stud between the caliper and the bracket, as shown in Figure 1 and Photo 8. Mount the caliper (24) onto the bracket (27) using lock nuts (25) and washers (26), Figure 1. Ensure that the caliper is mounted so the largest pistons are at the rotor exit end of the caliper, in relation to the direction of rotor rotation. Temporarily tighten the lock nuts and view the rotor through the top opening of the caliper. The rotor should be centered in the caliper, Photo 9. If not, adjust by adding or subtracting shims (23) between the spindle bracket (1) and the caliper bracket. Always use the same amount of shims on each of the two mounting bolts. **NOTE:** *The end of each bolt must be flush with or slightly protruding from the head of the clinch nut, as shown in Figure 4.* If necessary place spare shims between washer (22) and caliper mounting bracket to achieve the proper clinch nut engagement. Once the caliper alignment and clinch nut engagement are correct, remove the bolts one at a time, apply red *Loctite*[®] 271 to the threads, and torque to 40 ft-lb.



Photo 8

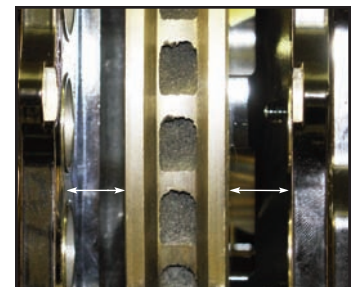


Photo 9

Assembly Instructions (Continued)

- Remove the caliper center bridge pad retainer bolt, nut, and tube from the caliper. Insert the brake pads (30) into the caliper, with the friction material facing the rotor, as shown in Photo 10. Check that the top of the brake pad is flush with the outside diameter of the rotor, Photo 11. If not, adjust by adding or subtracting shims (29) between the caliper and the bracket. After the caliper pad height is set, torque the caliper lock nuts (25) to 30 ft-lb. Secure the brake pads in place with the center bridge pad retainer tube, bolt, and locknut. The locknut should be snug without play in the bolt or tube. Be cautious not to over tighten.

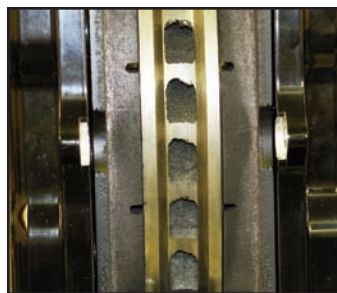


Photo 10

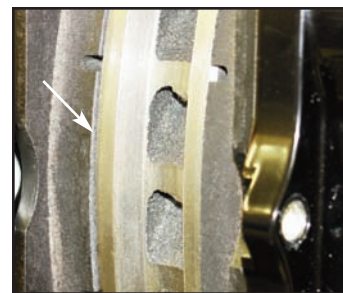


Photo 11

- Temporarily install wheel and torque lug nuts to manufacturer's specification. Ensure that the wheel rotates freely without any interference.

• **NOTE:** OEM rubber brake hoses generally cannot be adapted to Wilwood calipers. The caliper inlet fitting is a 1/8-27 NPT. The preferred method is to use steel adapter fittings at the caliper, either straight, 45 or 90 degree and enough steel braided line to allow for full suspension travel and turning radius, lock to lock. **Carefully route hoses to prevent contact with moving suspension, brake or wheel components.** **NOTE:** Wilwood hose kits are designed for use in many different vehicle applications and it is the installer's responsibility to properly route and ensure adequate clearance and retention for brake hose components. Wilwood offers universal brake flex line hose kits, order P/N 220-7056 for the 14 inch length, P/N 220-7699 for the 16 inch length, or P/N 220-8307 for the 18 inch length. Hose kits include hoses, fitting, etc., all in one package for this application.

• **NOTE:** Specified brake hose kits may not work with all Years, Makes and Models of vehicle that this brake kit is applicable to, due to possible OEM manufacturing changes during a production vehicle's life. It is the installer's responsibility to ensure that all fittings and hoses are the correct size and length, to ensure proper sealing and that they will not be subject to crimping, strain and abrasion from vibration or interference with suspension components, brake rotor or wheel.

• In absence of specific instructions for brake line routing, the installer must use his best professional judgment on correct routing and retention of lines to ensure safe operation. Test vehicle brake system per the 'minimum test' procedure stated within this document before driving. After road testing, inspect for leaks and interference. Initially after install and testing, perform frequent checks of the vehicle brake system and lines before driving, to confirm that there is no undue wear or interference not apparent from the initial test. Afterwards, perform periodic inspections for function, leaks and wear in a interval relative to the usage of vehicle.

• Bleed the brake system, referring to the additional information and recommendations on page 7 for proper bleeding instructions. Check system for leaks after bleeding.

• Install the wheel and torque to manufacturer's specifications.

Balancing the Brake Bias on 4 Wheel Disc Vehicles

•OE Style or Single Mount Race Pedal with Tandem Outlet Master Cylinder:

Front to rear caliper piston sizes, rotor diameters, and pad compounds must be initially configured to provide the correct range of vehicle bias when using a single bore / tandem outlet master cylinder. If excessive rear brake bias is experienced, an in-line adjustable proportioning valve can be used to decrease the rear line pressure to help bring the vehicle into balance. If excessive front brake bias is experienced, first consideration should be given to increasing the rear brake bias to bring the vehicle into overall balance.

•Race Pedal with Dual Master Cylinders and Balance Bar:

Master cylinders must be sized to match the calipers and allow the pedal balance bar to operate near the center of its travel. If it is not possible to fine tune the bias within the adjustable range of the balance bar, then consideration must be given to changing a master cylinder bore size or some other aspect of the brake system to bring the car into balance. Larger bore master cylinders will generate less pressure while decreasing pedal travel. Smaller bores master cylinders will generate higher line pressures with an increase in pedal travel.

Additional Information and Recommendations

- Fill and bleed the new system with Wilwood Hi-Temp° 570 grade fluid or higher. For severe braking or sustained high heat operation, use Wilwood EXP 600 Plus Racing Brake Fluid. Used fluid must be completely flushed from the system to prevent contamination.
NOTE: *Silicone DOT 5 brake fluid is **NOT** recommended for racing or performance driving.*

- To properly bleed the brake system, begin with the caliper farthest from the master cylinder. Bleed the outboard bleed screw first, then the inboard. Repeat the procedure until all calipers in the system are bled, ending with the caliper closest to the master cylinder.
NOTE: *When using a new master cylinder, it is important to bench bleed the master cylinder first.*

- If the master cylinder is mounted lower than the disc brake calipers, some fluid flowback to the master cylinder reservoir may occur, creating a vacuum effect that retracts the caliper pistons into the housing. This will cause the pedal to go to the floor on the first stroke until it has “pumped up” and moved all the pistons out against the pad again. A Wilwood in-line two pound residual pressure valve, installed near the master cylinder will stop the fluid flowback and keep the pedal firm and responsive.

- Test the brake pedal. It should be firm, not spongy and stop at least 1 inch from the floor under heavy load.
If the brake pedal is spongy, bleed the system again.

If the brake pedal is initially firm, but then sinks to the floor, check the system for fluid leaks. Correct the leaks (if applicable) and then bleed the system again.

If the brake pedal goes to the floor and continued bleeding of the system does not correct the problem, a master cylinder with increased capacity (larger bore diameter) will be required. Wilwood offers various lightweight master cylinders with large fluid displacement capacities.

- **NOTE:** *With the installation of after market disc brakes, the wheel track may change depending on the application. Check your wheel offset before final assembly.*

- On some models of disc brake spindles there are “ears” where the OEM calipers were mounted and these “ears” interfere with the assembly of the Wilwood disc brake kit. If it becomes necessary to remove these “ears”, remove as little as possible being careful not to cut away any of the mounting holes that may be required to bolt on the caliper mounting bracket.

- If after following the instructions, you still have difficulty in assembling or bleeding your Wilwood disc brakes, consult your local chassis builder, or retailer where the kit was purchased for further assistance.

Brake Testing

WARNING • DO NOT DRIVE ON UNTESTED BRAKES BRAKES MUST BE TESTED AFTER INSTALLATION OR MAINTENANCE MINIMUM TEST PROCEDURE

- Make sure pedal is firm: Hold firm pressure on pedal for several minutes, it should remain in position without sinking. If pedal sinks toward floor, check system for fluid leaks. DO NOT drive vehicle if pedal does not stay firm or can be pushed to the floor with normal pressure.
- At very low speed (2-5 mph) apply brakes hard several times while turning steering from full left to full right, repeat several times. Remove the wheels and check that components are not touching, rubbing, or leaking.
- Carefully examine all brake components, brake lines, and fittings for leaks and interference.
- Make sure there is no interference with wheels or suspension components.
- Drive vehicle at low speed (15-20 mph) making moderate and hard stops. Brakes should feel normal and positive. Again check for leaks and interference.
- Always test vehicle in a safe place where there is no danger to (or from) other people or vehicles.
- Always wear seat belts and make use of all safety equipment.

Pad and Rotor Bedding

BEDDING STEPS FOR NEW PADS AND ROTORS – ALL COMPOUNDS

Once the brake system has been tested and determined safe to operate the vehicle, follow these steps for the bedding of all new pad materials and rotors. These procedures should only be performed on a race track, or other safe location where you can safely and legally obtain speeds up to 65 MPH, while also being able to rapidly decelerate.

- Begin with a series of light decelerations to gradually build some heat in the brakes. Use an on-and-off the pedal technique by applying the brakes for 3-5 seconds, and then allow them to fully release for a period roughly twice as long as the deceleration cycle. If you use a 5 count during the deceleration interval, use a 10 count during the release to allow the heat to sink into the pads and rotors.
- After several cycles of light stops to begin warming the brakes, proceed with a series of medium to firm deceleration stops to continue raising the temperature level in the brakes.
- Finish the bedding cycle with a series of 8-10 hard decelerations from 55-65 MPH down to 25 MPH while allowing a proportionate release and heat-sinking interval between each stop. The pads should now be providing positive and consistent response.
- If any amount of brake fade is observed during the bed-in cycle, immediately begin the cool down cycle.
- Drive at a moderate cruising speed, with the least amount of brake contact possible, until most of the heat has dissipated from the brakes. Avoid sitting stopped with the brake pedal depressed to hold the car in place during this time. Park the vehicle and allow the brakes to cool to ambient air temperature.

COMPETITION VEHICLES

- If your race car is equipped with brake cooling ducts, blocking them will allow the pads and rotors to warm up quicker and speed up the bedding process.
- Temperature indicating paint on the rotor and pad edges can provide valuable data regarding observed temperatures during the bedding process and subsequent on-track sessions. This information can be highly beneficial when evaluating pad compounds and cooling efficiencies.

Pad and Rotor Bedding (Continued)

POST-BEDDING INSPECTION – ALL VEHICLES

- After the bedding cycle, the rotors should exhibit a uniformly burnished finish across the entire contact face. Any surface irregularities that appear as smearing or splotching on the rotor faces can be an indication that the brakes were brought up to temperature too quickly during the bedding cycle. If the smear doesn't blend away after the next run-in cycle, or if chatter under braking results, sanding or resurfacing the rotors will be required to restore a uniform surface for pad contact.

PRE-RACE WARM UP

- Always make every effort to get heat into the brakes prior to each event. Use an on-and-off the pedal practice to warm the brakes during the trip to the staging zone, during parade laps before the flag drops, and every other opportunity in an effort to build heat in the pads and rotors. This will help to ensure best consistency, performance, and durability from your brakes.

DYNO BEDDED COMPETITION PADS AND ROTORS

- Getting track time for a proper pad and rotor bedding session can be difficult. Wilwood offers factory dyno-bedded pads and rotors on many of our popular competition pads and **Spec 37** GT series rotors. Dyno-bedded parts are ready to race on their first warm up cycle. This can save valuable time and effort when on-track time is either too valuable or not available at all, Dyno-bedding assures that your pads and rotors have been properly run-in and are ready to go. Contact your dealer or the factory for more information on Wilwood Dyno-Bedding services.

NOTE:

NEVER allow the contact surfaces of the pads or rotors to be contaminated with brake fluid. Always use a catch bottle with a hose to prevent fluid spill during all brake bleeding procedures.