

ASSEMBLY INSTRUCTIONS
FOR
SUPERLITE 6 BIG BRAKE FRONT HAT KIT,
WITH 14.00" DIAMETER VENTED ROTOR

1965 - 1982 CHEVROLET CORVETTE

PART NUMBER GROUP

140-10617

**DISC BRAKES SHOULD ONLY BE INSTALLED BY SOMEONE
EXPERIENCED AND COMPETENT IN THE INSTALLATION AND
MAINTENANCE OF DISC BRAKES
READ ALL WARNINGS**



Photographic Tip

We suggest you take digital photos of the brake system setup before and during the disassembly procedure. This will aid in the event that something is not compatible with the new brake components and be a valuable tool to assist in the trouble-shooting process.

Exploded Assembly Diagram

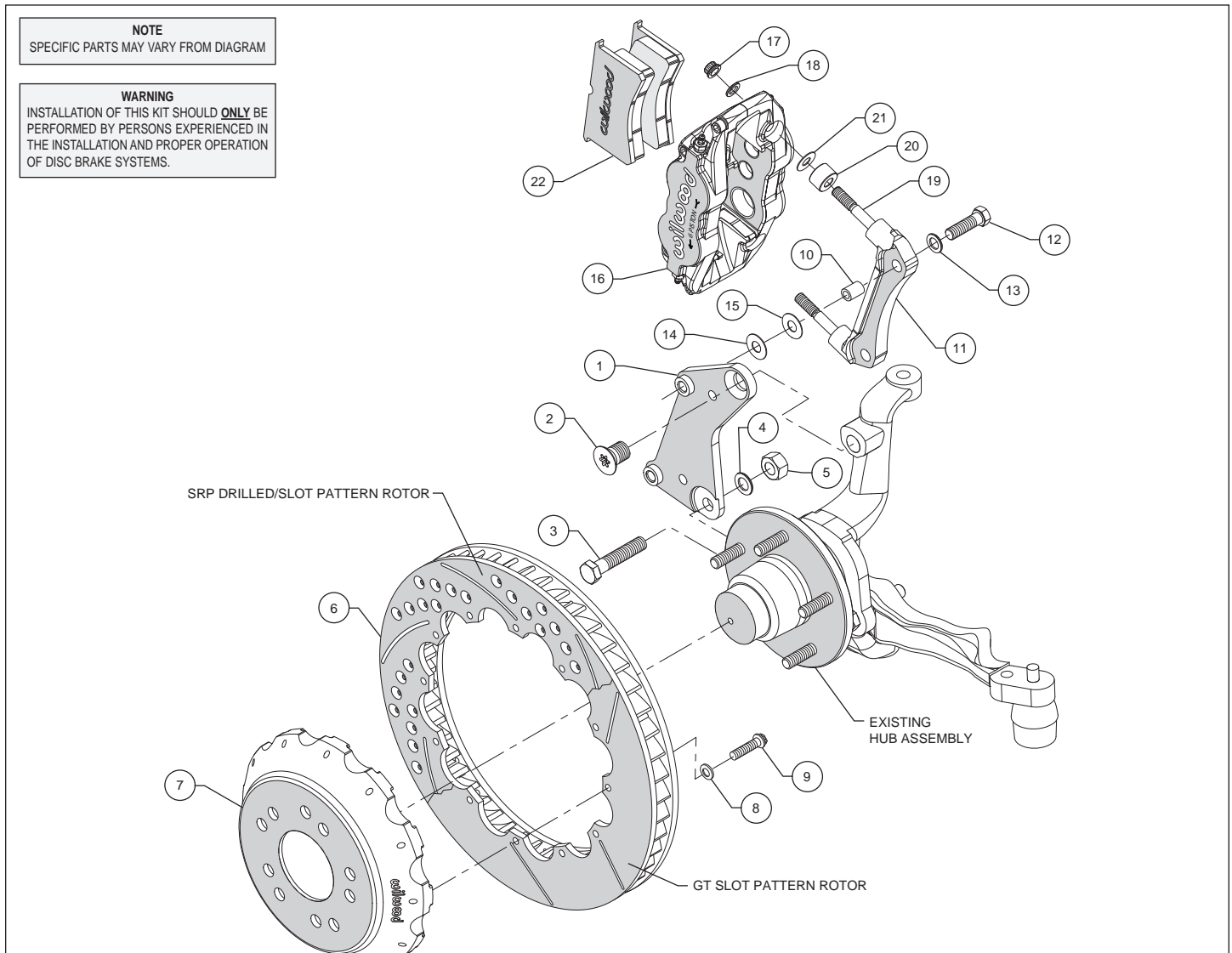


Figure 1. Typical Installation Configuration

Parts List

ITEM NO.	PART NO.	DESCRIPTION	QTY
1	249-10622/23	Bracket, Spindle Mounting, Flat	2
2	230-10408	Bolt, 11/16-16 x 1.00 Long, Torx FHCS	2
3	230-10627	Bolt, 1/2-20 x 2.50 Long, HXHD	2
4	240-11102	Washer, .515 I.D. x .875 O.D. x .063 Thick	2
5	230-0819	Nut, 1/2-20, Hex	2
6	160-8398/99	Rotor, GT 1.25" Thk x 14.00" Dia, 12 x 8.75" Bolt Circle, (one each, right and left)	2
6A	160-8396/97-BK	Rotor, Black SRP Drilled and Slotted (one each, right and left)	2
7	170-10620	Hat, 5 x 4.50/4.75, 1.62 offset, 12 x 8.75 Bolt Circle	2
8	230-11240	Washer, .265 I.D. x .500 O.D. x .063 Thick	24
9	230-6737	Bolt, 1/4-20 x 1.00 Long, 12 Point	24
10	300-8359	Sleeve, .437 I.D. x .479 O.D. x .500 Long	4
11	250-9840	Bracket, Caliper Mounting	2
12	230-10425	Bolt, 7/16-20 x 1.50 Long, Hex Head	4
13	240-11101	Washer, .453 I.D. x .750 O.D. x .063 Thick	4
14	240-1848	Washer, .441 I.D. x 1.003 O.D. x .030 Thick	20
15	240-3902	Washer, .441 I.D. x 1.003 O.D. x .016 Thick	4
16	120-11778/79-BK	Caliper, Superlite 6R (one each, right and left)	2
16A	120-11778/79-RD	Caliper, Superlite 6R, Red (one each, right and left)	2
17	230-9183	Nut, 3/8-24 Self-Locking Hex, 12 Point	4
18	240-10190	Washer, .391 I.D. x .625 O.D. x .063 Thick	4
19	230-9079	Stud, 3/8-16 x 3/8-24 x 3.15 Long (pre installed in bracket)	4
20	300-9491	Spacer, .470 Long	4
21	240-1159	Shim, .035 Thick	16
22	150-8855K	Pad, BP-10 Compound, Axle Set	1

NOTES: P/N 230-4572 Rotor Bolt Kit, includes part numbers 230-6737 and 240-11240

P/N 230-10626 Bracket/Spindle Bolt Kit, includes part numbers 230-0819, 230-10408, 230-10627 and 240-11102

P/N 230-10625 Bracket/Bracket Bolt Kit, includes part numbers 230-10425, 240-1848, 240-3902, 240-11101 and 300-8359

P/N 250-10633 Caliper Bracket Kit, includes P/N's 230-9183, 230-9079, 240-1159, 240-10190, 250-9840 and 300-9491

Item 6A is an optional item and included with the "D" kits. Add "D" to end of part number when ordering.

Item 16A is an optional item and included with the "R" kits. Add "R" to end of part number when ordering

General Information and Disassembly Instructions

- Installation of this kit should **ONLY** be performed by individuals experienced in the installation and proper operation of disc brake systems. Prior to any attempt to install this kit, please check the following to ensure a trouble free installation.
- Inspect the contents of this kit against the parts list to ensure that all components and hardware are included.
- Make sure this is the correct kit to fit the exact make and model year of your axle. This kit is designed for direct bolt-on installation to 1965 through 1982 model year Chevrolet Corvette.
- Verify your wheel clearance using Figure 2.
- Verify the factory hub stud pattern matches the hat in this kit.

Disassembly

- Disassemble the original equipment front brakes: Raise the front wheels off the ground and support the front suspension according to the vehicle manufacturer's instructions.
- Remove the wheel. From the inside of the caliper, remove the two caliper mounting bolts, then remove the caliper. Remove the rotor. Remove the dust shield and the caliper bracket by first removing the three bolts. It will be necessary to remove the hub assembly in order to remove the dust shield without damage. If the dust shield will be discarded, it can be cut and bent over the hub after removing the bolts.
- Clean, de-grease the stock spindle while removing any nicks or burrs.

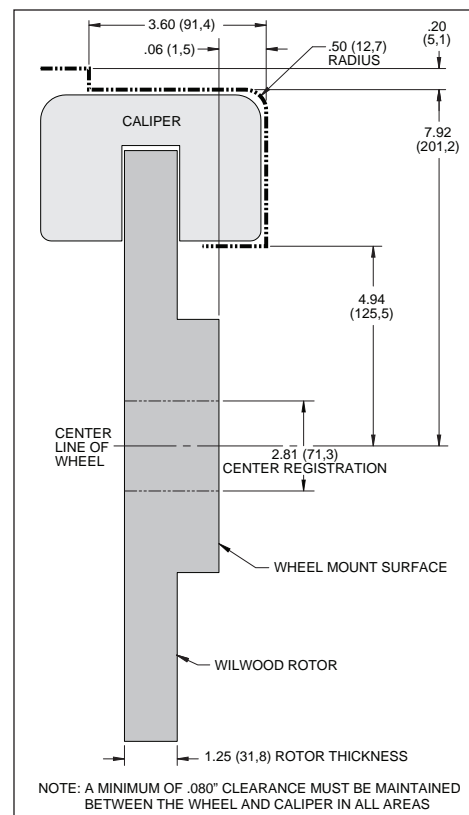


Figure 2. Wheel Clearance Diagram

Assembly Instructions

Assembly Instructions (numbers in parenthesis refer to the parts list/diagram on the preceding pages): **CAUTION:** All mounting bolts must fully engage insert nuts. Be sure to check that all bolts are either flush or protruding through flanged side of insert nut after shimming.

- The flat spindle/caliper mounting bracket (1) should be installed first with clean, dry threads on the mounting bolts. Install the bracket on the back side of the spindle by sliding bolt (2) through the bracket (1) and into the upper hole of the spindle upright boss. Torque bolt (2) to 140 ft-lb. Slide bolt (3) through lower spindle “ear”, through the bracket (1), washer (4), and secure with nut (5). Torque bolt (3) to 77 ft-lb. The bracket must tighten squarely against the side of the spindle body. Inspect for interference from casting irregularities, machining ridges, burrs, etc.

- With the larger I.D. side of the rotor (6) facing away from the hat (7), bolt rotor (6) to hat (7) through the backside of the rotor using bolts (9), and washers (8). Using an alternating sequence, apply red *Loctite*® 271 to the threads and torque bolts to 155 in-lb. For an added measure of security, the bolts may be safety wired using standard 0.032 inch diameter stainless steel safety wire as shown in Figure 3. Please refer to Wilwood’s data sheet DS-386 for complete safety wire installation instructions.

- Slide the rotor/hat assembly onto the spindle. Check to be sure the hat seats squarely against the hub. Install a couple of lug nuts (finger tighten) to keep the rotor/hat assembly in place while continuing with the installation.

- The radial mount caliper bracket assembly (11) should be installed first with clean, dry threads on the mounting bolts. Slide bolt sleeve (10) into the mounting holes of bracket (11). Install the bracket on the back side of the spindle/flat caliper mounting bracket (1) by sliding bolt (12) through washer (13), and through sleeve (10.) Initially place three shim washers (14) between the two brackets (1 and 11) (see Figure 1). The bracket must tighten squarely against the side of the spindle/caliper bracket. Inspect for interference from casting irregularities, machining ridges, burrs, etc. Later, after the caliper, pad, and rotor alignment has been checked, and any necessary shims have been put in place, the mount bolts should be coated with red *Loctite*® 271 and torqued to 47 ft-lbs.

- NOTE:** This kit contains distinct right and left hand calipers that must be mounted in a specific direction, as described below. Lubricate the caliper mounting studs (19) with lightweight oil. Initially place .035” thick shim (21) and one spacer (20) on each stud as shown in Figure 1. Mount the caliper (16) onto the radial mount bracket (11) using lock nuts (17) and washers (18), Figure 1. Ensure that the caliper is mounted so that the largest pistons are at the rotor exit end of the caliper, in relation to the direction of rotor rotation. Temporarily tighten the lock nuts and view the rotor through the top opening of the caliper. The rotor should be centered in the caliper. If not, adjust by adding or subtracting shims (14 and/or 15) between the spindle/caliper bracket (1) and the radial mount bracket (11). Always use the same amount of shims on each of the two mounting bolts.

- Remove the caliper center bridge pad retainer bolt, nut, and tube from the caliper. Slide the brake pads (22) into place. They should install easily without interference. Check that the outside radius of the brake pad is flush with the outside diameter of the rotor face. Add or subtract shims (21) between the caliper and mount bracket to gain the proper alignment. Reinstall the center bridge pad retainer tube, bolt, and locknut. The locknut should be snug without play in the bolt or tube. Be cautious not to over tighten.

- Remove the lug nuts that were holding the hat in place. Install the wheel and torque the lug nuts to manufacturer’s specification. Check to see that the wheel rotates freely without interference.

- Once all clearances have been checked, remove the wheel, caliper, hat, and rotor from the spindle and hub. Secure the spindle/caliper mounting bracket (1) to the spindle with bolts (2 and 3) using red *Loctite*® 271 on the bolt threads. Torque bolt (2) to 140 ft-lb and bolt (3) to 77 ft-lb. Remove bolts (12) from the radial mount caliper bracket (11) and coat threads with red *Loctite*® 271 and reinstall. **NOTE:** Only removing one bolt at a time, then coating the threads and reinstalling will help keep all the shims in place. Torque bolts (12) to 47 ft-lb. Reinstall the hat and rotor assembly and again use lug nuts to hold it in place. Reinstall the caliper (16), torque the caliper nuts (17) to 28 ft-lb.

- NOTE:** OEM rubber brake hoses generally cannot be adapted to Wilwood calipers. The caliper inlet fitting is a 1/8-27 NPT. The preferred method is to use steel adapter fittings at the caliper, either straight, 45 or 90 degree and enough steel braided line to allow for full suspension travel and turning radius, lock to lock. **Carefully route lines to prevent contact with moving suspension, brake or wheel components.** Wilwood hose kits are designed for use in many different vehicle applications and it is the installer’s responsibility to properly route and ensure adequate clearance and retention for brake hose components. Wilwood offers a hose kit, P/N 220-10631, which includes hoses, fittings, etc., all in one package for this application.

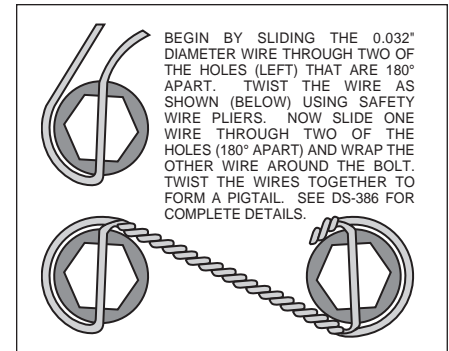


Figure 3. Safety Wire Diagram

Assembly Instructions (Continued)

- Specified brake hose kits may not work with all Years, Makes and Models of vehicle that this brake kit is applicable to, due to possible OEM manufacturing changes during a production vehicle's life. It is the installer's responsibility to ensure that all fittings and hoses are the correct size and length, to ensure proper sealing and that they will not be subject to crimping, strain and abrasion from vibration or interference with suspension components, brake rotor or wheel.
- In absence of specific instructions for brake line routing, the installer must use his best professional judgment on correct routing and retention of lines to ensure safe operation. Test vehicle brake system per the 'minimum test' procedure stated within this document before driving. After road testing, inspect for leaks and interference. Initially after install and testing, perform frequent checks of the vehicle brake system and lines before driving, to confirm that there is no undue wear or interference not apparent from the initial test. Afterwards, perform periodic inspections for function, leaks and wear in a interval relative to the usage of vehicle.
- Repeat this entire procedure for the other wheel.
- Bleed the brake system. Reference the general information and recommendations below for proper bleeding instructions.
- Install the wheel and torque the lugs to manufacturer's specifications.

Additional Information and Recommendations

- NOTE:** *With the installation of after market disc brakes, the wheel track may change depending on the application. Check your wheel offset before final assembly.*
- Please read the following concerning balancing the brake bias on 4 wheel disc vehicles.

This Corvette front kit can be operated using the stock OEM master cylinder. However, as with most suspension and tire modifications (from OEM specifications), changing the brakes may alter the front to rear brake bias. Rear brakes should not lock up before the front. Brake system evaluation and tests should be performed by persons experienced in the installation and proper operation of brake systems. Evaluation and tests should be performed under controlled conditions. Start by making several stops from low speeds then gradually work up to higher speeds. Always utilize safety restraint systems while operating vehicle.
- For optimum performance, fill and bleed the new system with Wilwood Hi-Temp° 570 grade fluid or EXP 600 Plus. For severe braking or sustained high heat operation, use Wilwood EXP 600 Plus Racing Brake Fluid. Used fluid must be completely flushed from the system to prevent contamination. **NOTE:** *Silicone DOT 5 brake fluid is **NOT** recommended for racing or performance driving.*
- To properly bleed the brake system, begin with the caliper farthest from the master cylinder. Bleed the outboard bleed screw first, then the inboard. Repeat the procedure until all calipers in the system are bled, ending with the caliper closest to the master cylinder. If the caliper is fitted with bleed screws on four corners, make sure the bottom bleed screws are tight. Only bleed from the top bleed screws. **NOTE:** *When using a new master cylinder, it is important to bench bleed the master cylinder first.*
- Test the brake pedal. It should be firm, not spongy, and stop at least 1 inch from the floor under heavy load.

If the brake pedal is spongy, bleed the system again.

If the brake pedal is initially firm, but then sinks to the floor, check the system for leaks. Correct the leaks (if applicable) and then bleed the system again.

If the brake pedal goes to the floor and continued bleeding of the system does not correct the problem, either air may be trapped in the system, or a master cylinder with increased capacity (larger bore diameter) may be required. Wilwood offers various lightweight master cylinders with large fluid displacement capacities (custom fabricated mounting may be required).

Brake Testing

WARNING • DO NOT DRIVE ON UNTESTED BRAKES BRAKES MUST BE TESTED AFTER INSTALLATION OR MAINTENANCE MINIMUM TEST PROCEDURE

- Make sure pedal is firm: Hold firm pressure on pedal for several minutes, it should remain in position without sinking. If pedal sinks toward floor, check system for fluid leaks. DO NOT drive vehicle if pedal does not stay firm or can be pushed to the floor with normal pressure.
- At very low speed (2-5 mph) apply brakes hard several times while turning steering from full left to full right, repeat several times. Remove the wheels and check that components are not touching, rubbing, or leaking.
- Carefully examine all brake components, brake lines, and fittings for leaks and interference.
- Make sure there is no interference with wheels or suspension components.
- Drive vehicle at low speed (15-20 mph) making moderate and hard stops. Brakes should feel normal and positive. Again check for leaks and interference.
- Always test vehicle in a safe place where there is no danger to (or from) other people or vehicles.
- Always wear seat belts and make use of all safety equipment.

Pad and Rotor Bedding

BEDDING STEPS FOR NEW PADS AND ROTORS – ALL COMPOUNDS

Once the brake system has been tested and determined safe to operate the vehicle, follow these steps for the bedding of all new pad materials and rotors. These procedures should only be performed on a race track, or other safe location where you can safely and legally obtain speeds up to 65 MPH, while also being able to rapidly decelerate.

- Begin with a series of light decelerations to gradually build some heat in the brakes. Use an on-and-off the pedal technique by applying the brakes for 3-5 seconds, and then allow them to fully release for a period roughly twice as long as the deceleration cycle. If you use a 5 count during the deceleration interval, use a 10 count during the release to allow the heat to sink into the pads and rotors.
- After several cycles of light stops to begin warming the brakes, proceed with a series of medium to firm deceleration stops to continue raising the temperature level in the brakes.
- Finish the bedding cycle with a series of 8-10 hard decelerations from 55-65 MPH down to 25 MPH while allowing a proportionate release and heat-sinking interval between each stop. The pads should now be providing positive and consistent response.
- If any amount of brake fade is observed during the bed-in cycle, immediately begin the cool down cycle.
- Drive at a moderate cruising speed, with the least amount of brake contact possible, until most of the heat has dissipated from the brakes. Avoid sitting stopped with the brake pedal depressed to hold the car in place during this time. Park the vehicle and allow the brakes to cool to ambient air temperature.

COMPETITION VEHICLES

- If your race car is equipped with brake cooling ducts, blocking them will allow the pads and rotors to warm up quicker and speed up the bedding process.
- Temperature indicating paint on the rotor and pad edges can provide valuable data regarding observed temperatures during the bedding process and subsequent on-track sessions. This information can be highly beneficial when evaluating pad compounds and cooling efficiencies.

Pad and Rotor Bedding (Continued)

POST-BEDDING INSPECTION – ALL VEHICLES

- After the bedding cycle, the rotors should exhibit a uniformly burnished finish across the entire contact face. Any surface irregularities that appear as smearing or splotching on the rotor faces can be an indication that the brakes were brought up to temperature too quickly during the bedding cycle. If the smear doesn't blend away after the next run-in cycle, or if chatter under braking results, sanding or resurfacing the rotors will be required to restore a uniform surface for pad contact.

PRE-RACE WARM UP

- Always make every effort to get heat into the brakes prior to each event. Use an on-and-off the pedal practice to warm the brakes during the trip to the staging zone, during parade laps before the flag drops, and every other opportunity in an effort to build heat in the pads and rotors. This will help to ensure best consistency, performance, and durability from your brakes.

DYNO BEDDED COMPETITION PADS AND ROTORS

- Getting track time for a proper pad and rotor bedding session can be difficult. Wilwood offers factory dyno-bedded pads and rotors on many of our popular competition pads and **Spec 37** GT series rotors. Dyno-bedded parts are ready to race on their first warm up cycle. This can save valuable time and effort when on-track time is either too valuable or not available at all, Dyno-bedding assures that your pads and rotors have been properly run-in and are ready to go. Contact your dealer or the factory for more information on Wilwood Dyno-Bedding services.

NOTE:

NEVER allow the contact surfaces of the pads or rotors to be contaminated with brake fluid. Always use a catch bottle with a hose to prevent fluid spill during all brake bleeding procedures.