

Wilwood Superlite (FSLR) radial mount calipers combine state-of-the-art forged caliper technology, with track proven performance options for oval track, off-road, and road course competition. Premium grade billet, stress flow forging, and a highly efficient over all design, make the FSLR calipers as strong as any design in its class, including [one-piece calipers](#).



FSL6R/ST Quick-Silver with Thermlock® Pistons

Superlite Caliper Features



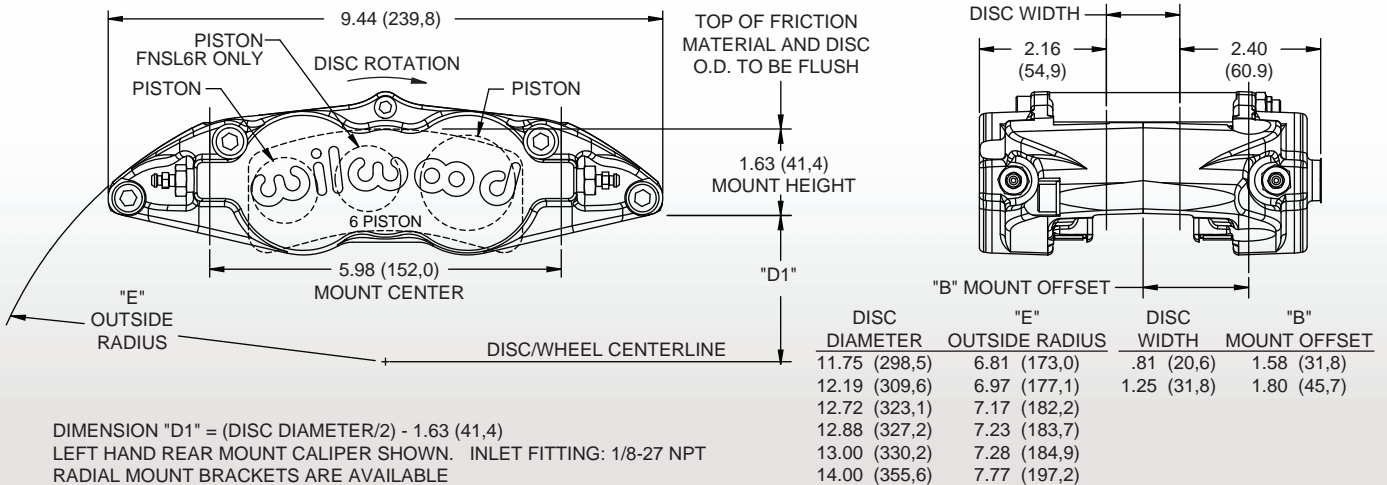
- Four and six piston models for .81" or 1.25" width rotors cover the full range of front and rear applications
- High strength, lightweight, reinforced bridge forged billet aluminum radial mount body, with a removable center bridge pad retention bolt, provide maximum resistance to deflection and body separation under load
- Choice of Thermlock® or stainless steel pistons with high temperature seals for maximum heat protection and reliability
- Uses 20mm thick type 7420 brake pads
- Internal dampening springs to control piston knock back and excessive retraction on Thermlock® equipped models
- Recessed pocket design to protected bleed screws
- Internal fluid ports eliminate all problems and damage potential associated with external fluid tubes
- Black anodized or Quick-Silver nickel based finishes

ORDERING INFORMATION: SIX PISTON MODELS

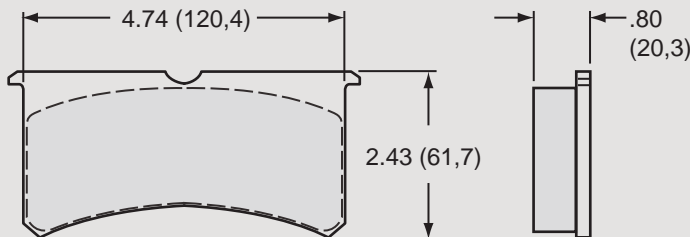
PART NO.	CALIPER	PISTON SIZES	DISC WIDTH	PISTON TYPE	ORIENTATION	FINISH
120-13235	FSL6R	1.62/1.12/1.12"	1.25"	Stainless	Right Hand	Black Anodized
120-13236	FSL6R	1.62/1.12/1.12"	1.25"	Stainless	Left Hand	Black Anodized
120-13237	FSL6R	1.62/1.12/1.12"	.81"	Stainless	Right Hand	Black Anodized
120-13238	FSL6R	1.62/1.12/1.12"	.81"	Stainless	Left Hand	Black Anodized
120-13267-N	FSL6R/ST	1.62/1.12/1.12"	1.25"	Thermlock®	Right Hand	Quick-Silver
120-13268-N	FSL6R/ST	1.62/1.12/1.12"	1.25"	Thermlock®	Left Hand	Quick-Silver

ORDERING INFORMATION: FOUR PISTON MODELS

PART NO.	CALIPER	PISTON SIZES	DISC WIDTH	PISTON TYPE	ORIENTATION	FINISH
120-13227	FSL4R	1.88/1.75"	1.25"	Stainless	Right Hand	Black Anodized
120-13228	FSL4R	1.88/1.75"	1.25"	Stainless	Left Hand	Black Anodized
120-13229	FSL4R	1.88/1.62"	1.25"	Stainless	Right Hand	Black Anodized
120-13230	FSL4R	1.88/1.62"	1.25"	Stainless	Left Hand	Black Anodized
120-13231	FSL4R	1.62/1.62"	1.25"	Stainless	Right / Left	Black Anodized
120-13232	FSL4R	1.25/1.25"	1.25"	Stainless	Right / Left	Black Anodized
120-13232-N	FSL4R	1.25/1.25"	1.25"	Stainless	Right / Left	Quick-Silver
120-13233	FSL4R	1.25/1.25"	.81"	Stainless	Right / Left	Black Anodized
120-13233-N	FSL4R	1.25/1.25"	.81'	Stainless	Right / Left	Quick-Silver
120-13234	FSL4R	1.12/1.12"	.81'	Stainless	Right / Left	Black Anodized
120-13263-N	FSL4R/ST	1.88/1.75"	1.25"	Thermlock®	Right Hand	Quick-Silver
120-13264-N	FSL4R/ST	1.88/1.75"	1.25"	Thermlock®	Left Hand	Quick-Silver
120-13265-N	FSL4R/ST	1.88/1.62"	1.25"	Thermlock®	Right Hand	Quick-Silver
120-13266-N	FSL4R/ST	1.88/1.62"	1.25"	Thermlock®	Left Hand	Quick-Silver
120-13575-N	FSL4R/ST	1.25/1.25"	.81'	Thermlock®	Right / Left	Quick-Silver
120-13576-N	FSL4R/ST	1.25/1.25"	1.25"	Thermlock®	Right / Left	Quick-Silver



Forged Superlite 4R/6R Caliper, Dimensional Characteristics



AXLE SET P/N	PAD TYPE / COMPOUND
15A - 5938K	7420 A PolyMatrix
15B - 5939K	7420 B PolyMatrix
15C - 6853K	7420 C PolyMatrix
15E - 6084K	7420 E PolyMatrix
15H - 8114K	7420 H PolyMatrix
15J - 6443K	7420 J PolyMatrix
15Q - 6829K	7420 Q PolyMatrix
150 - 8854K	7420 10 BP-10 Smart Pad
150 - 9416K	7420 20 BP-20 Smart Pad
150 - 9864K	7420 30 BP-30 Smart Pad
150 - 12245K	7420 40 BP-40 Smart Pad

Forged Superlite 4R/6R Caliper, Type 7420 Brake Pad Dimensions and Ordering Information