



FORGED NARROW SUPERLITE RADIAL MOUNT 6R/4R CALIPERS

Caliper Highlights:

The machined billet narrow body Superlite calipers have been prominent for many years throughout the Wilwood Brake Kit product line, and very well known in the motorsports aftermarket. Wilwood's continual development in applied stress flow forging technology brings a new level of design, strength, and durability to this very popular caliper group. The forged **FNSL6R** six-piston and **FNSL4R** four-piston calipers are now the strongest, most durable styled performance radial mount models ever offered in this popular intermediate size caliper group.



The application of stress flow forging technology adds integral strength by realigning the grain structure of the billet alloy within the flow and contour of the body. Simply stated, this process produces the strongest and most efficient aluminum caliper bodies that can be built.

In addition to the structural improvements from the forging process, the **FNSL6R** and **4R** calipers have also taken on the style and robust appearance of their bigger brothers in the W6AR and W4AR caliper groups. All mounting dimensions and the 7416 type pad applications remain the same as the previous BNSL series calipers, so making upgrades is a simple bolt-on.

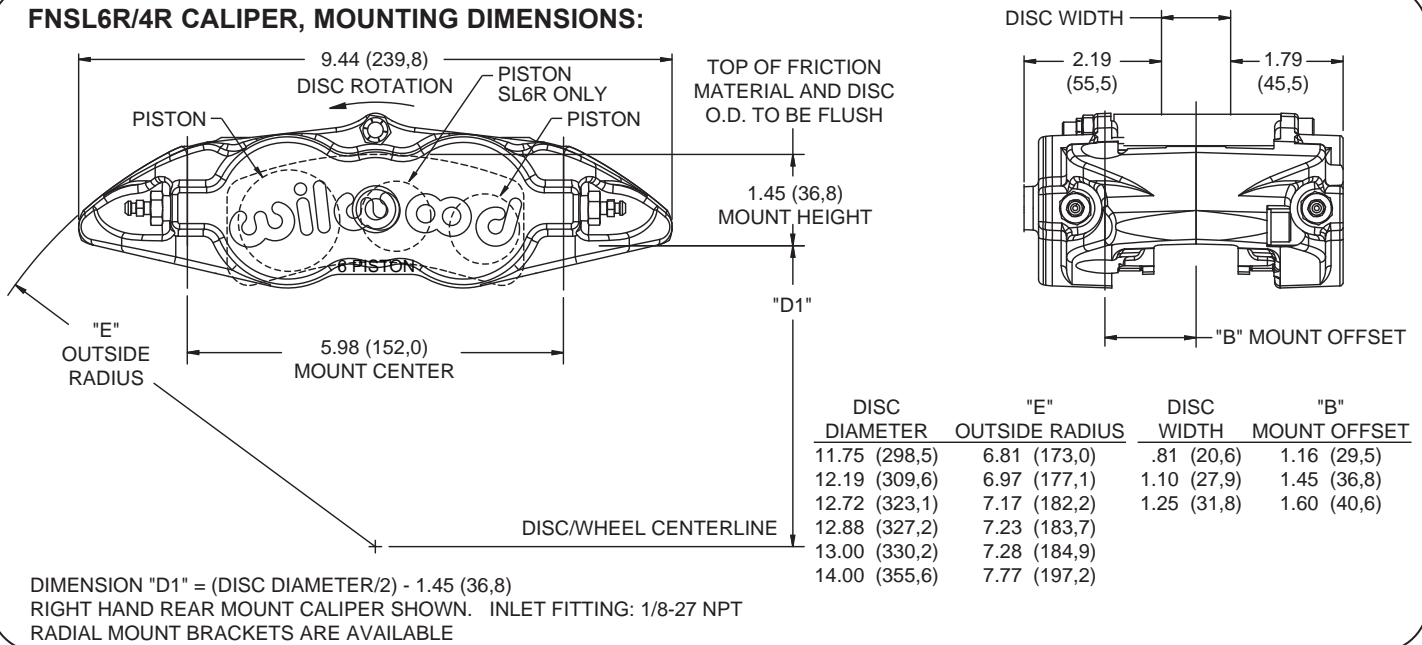
The popular **FNSL6R** and **4R** caliper models used in most big brake upgrade kits feature Wilwood's signature logo and standard black or red gloss powder coat. Custom powder coat colors, and Wilwood's new custom Quick-Silver nickel plate finish, are also available on a custom order basis.

ORDERING INFORMATION:

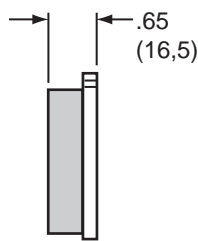
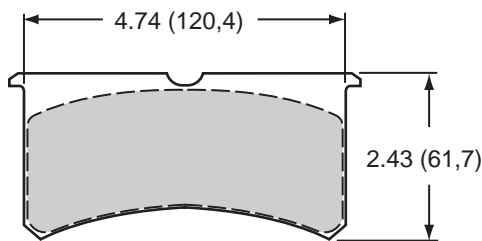
	<u>BORE SIZE</u>	<u>DISC WIDTH</u>	<u>MOUNT</u>	<u>PART NUMBER</u>
6 Piston				
	1.62/1.12/1.12"	41, 1/28, 4/28, 4 mm	1.25" 31,8 mm	Right Hand 120-11778-BK ⁽¹⁾
	1.62/1.12/1.12"	41, 1/28, 4/28, 4 mm	1.25" 31,8 mm	Left Hand 120-11779-BK ⁽¹⁾
	1.62/1.12/1.12"	41, 1/28, 4/28, 4 mm	1.10" 27,9 mm	Right Hand 120-11780-BK ⁽¹⁾
	1.62/1.12/1.12"	41, 1/28, 4/28, 4 mm	1.10" 27,9 mm	Left Hand 120-11781-BK ⁽¹⁾
	1.38/1.12/1.12"	35, 1/28, 4/28, 4 mm	1.10" 27,9 mm	Right Hand 120-12002-BK ⁽¹⁾
	1.38/1.12/1.12"	35, 1/28, 4/28, 4 mm	1.10" 27,9 mm	Left Hand 120-12003-BK ⁽¹⁾
4 Piston				
	1.75/1.75"	44, 5/44/5 mm	1.10" 27,9 mm	R/L 120-11784-BK ⁽¹⁾
	1.25/1.25"	31, 8/31, 8 mm	1.10" 27,9 mm	R/L 120-11783-BK ⁽¹⁾
	1.12/1.12"	28, 4/28, 4 mm	1.10" 27,9 mm	R/L 120-11782-BK ⁽¹⁾
	1.12/1.12"	28, 4/28, 4 mm	0.81" 20,6 mm	R/L 120-11876-BK ⁽¹⁾

Note: (1) Calipers come standard in black, for red remove -BK and replace with -RD at end of part number

FNSL6R/4R CALIPER, MOUNTING DIMENSIONS:



FNSL6R/4R CALIPER, TYPE 7416 PAD DIMENSIONS AND ORDERING INFORMATION:



AXLE SET PART NO.

PAD TYPE / COMPOUND

15A - 6704K	7416 A	PolyMatrix A
15B - 6705K	7416 B	PolyMatrix B
15E - 6707K	7416 E	PolyMatrix E
15H - 8546K	7416 H	PolyMatrix H
15Q - 6828K	7416 Q	PolyMatrix Q
150 - 8855K	7416 10	BP-10 Smart Pad
150 - 9415K	7416 20	BP-20 Smart Pad

FNSL6R ORDERING INFORMATION, USER SERVICEABLE COMPONENTS:

CALIPER PART NO.	PISTON	SQ RING KIT (6 PK)	BLEED SCREW KIT (4 PK)	BRIDGE BOLT KIT	BRIDGE WEAR PLATE (EA)
120-11778	200-7520 (1.62") 200-8439 (1.12")	130-5972	220-0063	230-7049	300-6595 (L/H) 300-6596 (R/H)
120-11779	200-7520 (1.62") 200-8439 (1.12")	130-5972	220-0063	230-7049	300-6595 (L/H) 300-6596 (R/H)
120-11780	200-7520 (1.62") 200-8439 (1.12")	130-5972	220-0063	230-7710	300-6595 (L/H) 300-6596 (R/H)
120-11781	200-7520 (1.62") 200-8439 (1.12")	130-5972	220-0063	230-7710	300-6595 (L/H) 300-6596 (R/H)
120-12002	200-7518 (1.38") 200-8439 (1.12")	130-12488	220-0063	230-7710	300-6595 (L/H) 300-6596 (R/H)
120-12003	200-7518 (1.38") 200-8439 (1.12")	130-12488	220-0063	230-7710	300-6595 (L/H) 300-6596 (R/H)

FNSL4R ORDERING INFORMATION, USER SERVICEABLE COMPONENTS:

CALIPER PART NO.	PISTON	SQ RING KIT (4 PK)	BLEED SCREW KIT (4 PK)	BRIDGE BOLT KIT	BRIDGE WEAR PLATE (EA)
120-11782	200-8439 (1.12")	130-2579	220-0063	230-7710	300-6595 (L/H) 300-6596 (R/H)
120-11783	200-7515 (1.25")	130-2479	220-0063	230-7710	300-6595 (L/H) 300-6596 (R/H)
120-11784	200-7528 (1.75")	130-2655	220-0063	230-7710	300-6595 (L/H) 300-6596 (R/H)
120-11876	200-8439 (1.12")	130-2579	220-0063	230-12489	300-6595 (L/H) 300-6596 (R/H)