



FORGED BILLET GM D52 FLOATING OE MOUNT DUAL PISTON CALIPER

Caliper Highlights:

The **D52** forged billet caliper is a direct bolt-on, lightweight, high-strength, extreme duty alternative to the OE cast iron calipers that were used on a wide range of GM cars and trucks beginning with full sized passenger cars in 1968. The original single piston floating mount caliper models then spread into use on most of the late 60's to early 70's muscle cars and light trucks that were factory disc brake equipped. Use of this caliper can still be found on some GM models as late as the year 2001. The wide spread and affordable availability of **D52** calipers and brake pad compounds also made it a popular choice in a number of restricted class competition categories and drum to disc conversions on all types of hot rods and street machines.



 Black Powder  Red Powder

The **D52** replacement caliper was designed using computer generated 3D modeling and FEA stress analysis technology. They have been configured to mount in the stock location with OE type slide-pins in position over the original rotor using standard OE type brake pads. This caliper design features a stress-flow forged billet aluminum body that provides a substantial weight savings over the original cast iron caliper, without any of the rust and corrosion issues that are common to cast iron parts. Stress flow forging realigns the internal grain structure of the metal within the contour of the caliper body to create a caliper that is superior in strength to any cast or machined from block billet caliper design. There simply is no better way to build an aluminum caliper with more strength or less weight.

These highly efficient two-piston calipers generate big brake clamping force from a pair of machined stainless steel pistons. Stainless pistons are used to resist corrosion and retard heat transfer from the pads into the caliper body. The dual piston design concentrates the clamping force over the entire length of the pad to improve pad loading while minimizing uneven wear and backing plate deflection over all single piston caliper designs. High temperature, square faced bore seals are used to provide controlled piston retraction and reliable performance from the wider sealing face. This combination of components is a proven performer with long service life and a history of reliable performance in any type of driving environment, including extreme sustained high temperature racing applications. The caliper slide pin holes are fitted with dampening rings to minimize noise from vibration. The caliper is also fitted with bleed screws on both ends to facilitate mounting in any left hand or right hand, front leading mount, or rear trailing mount locations.

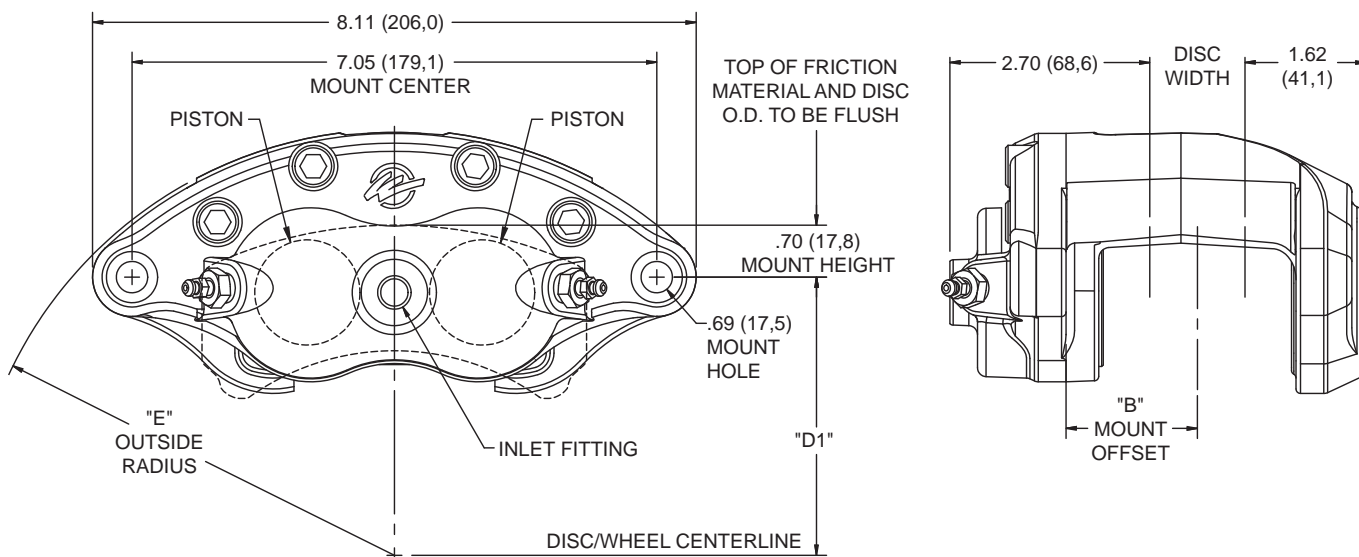
The caliper inlet port is threaded for use with a 7/16-20 banjo bolt or a line adapter using crush washers as a seal. The OE rubber lines can be used from any vehicle equipped with a 7/16-20 banjo. For later model vehicles that were originally equipped with metric connections, a new line kit will be required. Stainless braided line kits with the appropriate connections are available in 14", 16" and 18" lengths.

To complete the package, D52 calipers are available as a regular stock items with brake fluid resistant, high-temp glossy red or black powder coat for those wishing to add a different customized look inside the wheels.

ORDERING INFORMATION:

BORE SIZE		DISC WIDTH		BLACK PART NUMBER	RED PART NUMBER
2.00"	50,8 mm	1.25"	31,8 mm	120-10936-BK	120-10936-RD
2.00"	50,8 mm	1.00"	25,4 mm	120-10937-BK	120-10937-RD
1.25"	31,8 mm	1.25"	31,8 mm	120-10938-BK	120-10938-RD
1.25"	31,8 mm	1.00"	25,4 mm	120-10939-BK	120-10939-RD

D52 CALIPER, MOUNTING DIMENSIONS:

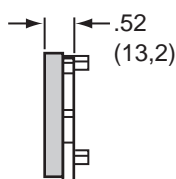
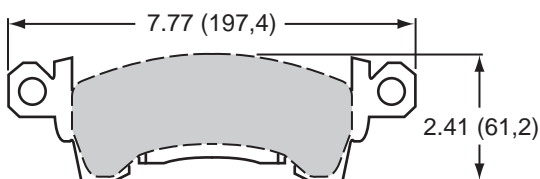
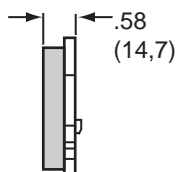
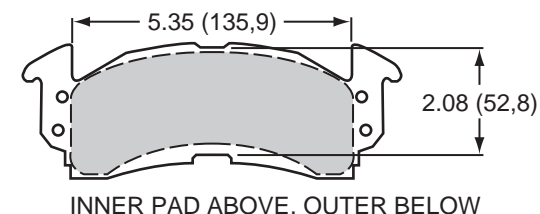


DIMENSION "D1" = (DISC DIAMETER/2) - .70 (17,8)
 CALIPER MOVES INWARD AS PAD WEARS, .35 (8,9) MAX.
 INLET FITTING: 7/16-20 BANJO

THIS CALIPER IS A DIRECT REPLACEMENT FOR FACTORY CALIPERS USING THE D52 TYPE BRAKE PAD.

DISC WIDTH	"B" MOUNT OFFSET	DISC DIAMETER	"E" OUTSIDE RADIUS
		11.00 (279,4)	6.78 (172,2)
11.75 (298,5)	7.15 (181,6)		
11.88 (301,8)	7.22 (183,4)		
12.50 (317,5)	7.53 (191,3)		

D52 CALIPER, TYPE D52 PAD DIMENSIONS AND ORDERING INFORMATION:



AXLE SET P/N

- 15A - 5737K
- 15B - 3994K
- 15C - 4419K
- 15E - 6102K
- 15H - 8232K
- 15Q - 6830K
- 150 - 8939K
- 150 - 9421K
- 150 - 9866K

PAD TYPE / COMPOUND

- D52 A PolyMatrix
- D52 B PolyMatrix
- D52 C PolyMatrix
- D52 E PolyMatrix
- D52 H PolyMatrix
- D52 Q PolyMatrix
- D52 10 BP-10 Smart Pad
- D52 20 BP-20 Smart Pad
- D52 30 BP-30 Smart Pad

ORDERING INFORMATION, USER SERVICEABLE COMPONENTS:

CALIPER PART NO.	PISTON	O-RING KIT (4 PK)	BLEED SCREW KIT (4 PK)	SLIDE PIN KIT (4 PK)
120-10936	200-10932	130-0777	220-0627	230-11529
120-10937	200-10932	130-0777	220-0627	230-11529
120-10938	200-10931	130-2479	220-0627	230-11529
120-10939	200-10931	130-2479	220-0627	230-11529

D52 STAINLESS STEEL FLEX LINE BRAKE KITS, ORDERING INFORMATION:

KIT PART NO.	DESCRIPTION	LENGTH	FITTING
220-11371	Stainless Steel Flexline Hose Kit, D52 Caliper	14 Inch	7/16-20 Banjo
220-11372	Stainless Steel Flexline Hose Kit, D52 Caliper	16 Inch	7/16-20 Banjo
220-11373	Stainless Steel Flexline Hose Kit, D52 Caliper	18 Inch	7/16-20 Banjo