



BILLET DYNAPRO CALIPER

Caliper Highlights:

The **DynaPro** four-piston radial mount caliper combines pure race technology with a new generation of Wilwood performance enhancements. Its sleek profile, superior strength, and durability in adverse conditions are easily adapted to a broad range of sports, rally and off-road driving applications.

The strength of the **DynaPro** is a combination of process and design. The process of stress-flow forging re-aligns the metal's grain structure within the contour of the caliper body. This eliminates the stresses and interruptions to the internal grain structure that occur when machining a straight block billet. The FEA generated radial transition design eliminates steps and shoulders in the area between the piston housing body and the caliper bridges. Incorporating a radius in this critical area substantially increases resistance to deflection and caliper separation under load. Structural deflection and volume displacement tests have proven the efficiency of this innovative design. Without even considering the overall greater strength and reliability of the billet forging, the reduction in overall deflection and fluid volume displacement translate to increased clamping efficiency with less pedal travel. The bottom line is a firm pedal with outstanding stopping power.



The superior strength of this innovative design is combined with a new generation of Wilwood performance features. The **DynaPro** uses a new 7816 type brake pad that is supported from the top by Quick-Clip pad retainers. This feature eliminates the need for a pad support step in the bottom of the caliper and adds additional clearance for mounting closer to the hub on small wheel and small rotor applications. The pad radius matches to rotor diameters between 9.45" (240,0 mm) and 12.19" (309,6 mm), and the caliper fits easily inside many 13.00" wheel applications. The Quick-Clips also accommodate easy pad access without caliper removal. PolyMatrix pad compounds are available to cover the full range of sport and competition applications. Other new Wilwood features include coated aluminum pistons fitted with high temperature rubber boots that seal out dirt, moisture, and debris from the piston bores in less than friendly environments.

Every caliper is equipped with Wilwood's SRS stainless steel bridge plates. The SRS plates eliminate the bridge wear caused by pad gouging and extend the service life of the caliper body. The spring-loading action of the SRS plates also eliminates pad rattle and dampens the vibration harmonics that contribute to squeal under braking. Internal fluid passages eliminate the need for external tubes. Four corner bleed screws assure simple and effective air evacuation from the system and allow one caliper to be mounted in any front, rear, right or left position.

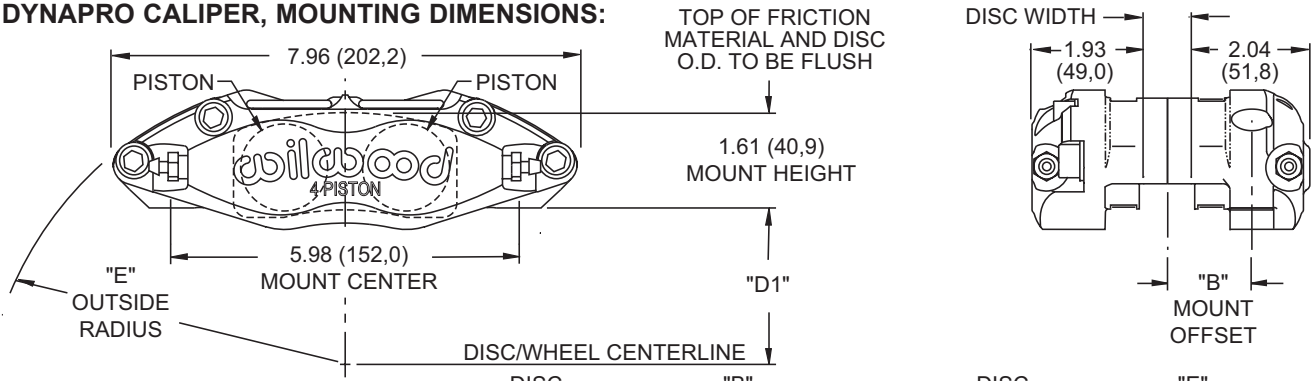
NOTE: For sustained high temperature operation in severe duty competition, the **DynaPro** can be fitted with one piece stainless steel or Wilwood's exclusive **Thermlock**® piston technology without the dust boots. Contact Wilwood or your dealer with requirements.

ORDERING INFORMATION⁽¹⁾:

| BORE SIZE | | DISC WIDTH | | PART NUMBER |
|-----------|---------|-------------|---------------|----------------------------|
| 1.75" | 44,5 mm | 1.00" | 25,4 mm | 120-7381 |
| 1.75" | 44,5 mm | .81" | 20,6 mm | 120-7380 |
| 1.75" | 44,5 mm | .38" - .50" | 9,7 - 12,7 mm | 120-7726 |
| 1.75" | 44,5 mm | 1.00" | 25,4 mm | 120-8545 ⁽²⁾ |
| 1.75" | 44,5 mm | .81" | 20,6 mm | 120-8544 ⁽²⁾ |
| 1.75" | 44,5 mm | .81" | 20,6 mm | 120-8544-SI ⁽²⁾ |
| 1.75" | 44,5 mm | .38" - .50" | 9,7 - 12,7 mm | 120-8543 ⁽²⁾ |
| 1.75" | 44,5 mm | .38" - .50" | 9,7 - 12,7 mm | 120-8543-SI ⁽²⁾ |
| 1.62" | 41,1 mm | 1.00" | 25,4 mm | 120-7379 ⁽³⁾ |
| 1.62" | 41,1 mm | .81" | 20,6 mm | 120-7378 ⁽³⁾ |
| 1.62" | 41,1 mm | .38" - .50" | 9,7 - 12,7 mm | 120-7725 |
| 1.62" | 41,1 mm | 1.00" | 25,4 mm | 120-8542 ⁽²⁾ |
| 1.62" | 41,1 mm | .81" | 20,6 mm | 120-8541 ⁽²⁾ |
| 1.62" | 41,1 mm | .38" - .50" | 9,7 - 12,7 mm | 120-8540 ⁽²⁾ |
| 1.50" | 38,1 mm | 1.00" | 25,4 mm | 120-7328 |
| 1.50" | 38,1 mm | .81" | 20,6 mm | 120-7327 ⁽³⁾ |
| 1.50" | 38,1 mm | .38" - .50" | 9,7 - 12,7 mm | 120-7722 |
| 1.38" | 35,1 mm | 1.00" | 25,4 mm | 120-7377 |
| 1.38" | 35,1 mm | .81" | 20,6 mm | 120-7376 ⁽³⁾ |
| 1.38" | 35,1 mm | .38" - .50" | 9,7 - 12,7 mm | 120-7724 |
| 1.38" | 35,1 mm | 1.00" | 25,4 mm | 120-8539 ⁽²⁾ |
| 1.38" | 35,1 mm | .81" | 20,6 mm | 120-8538 ⁽²⁾ |
| 1.38" | 35,1 mm | .38" - .50" | 9,7 - 12,7 mm | 120-8537 ⁽²⁾ |
| 1.25" | 31,8 mm | 1.00" | 25,4 mm | 120-7375 |
| 1.25" | 31,8 mm | .81" | 20,6 mm | 120-7374 ⁽³⁾ |
| 1.25" | 31,8 mm | .38" - .50" | 9,7 - 12,7 mm | 120-7723 |
| 1.25" | 31,8 mm | 1.00" | 25,4 mm | 120-8536 ⁽²⁾ |
| 1.25" | 31,8 mm | .81" | 20,6 mm | 120-8535 ⁽²⁾ |
| 1.25" | 31,8 mm | .38" - .50" | 9,7 - 12,7 mm | 120-8534 ⁽²⁾ |

NOTES: (1) CALIPER MOUNTING BRACKET KIT 5.98" (152,0) RADIAL TO 3.50" (88,9) LUG MOUNT - P/N: 250-6309
 (2) THESE CALIPERS HAVE STAINLESS STEEL PISTONS WITHOUT DUST BOOTS
 (3) AVAILABLE RED, ADD "RD" TO END OF PART NUMBER WHEN ORDERING

DYNAPRO CALIPER, MOUNTING DIMENSIONS:



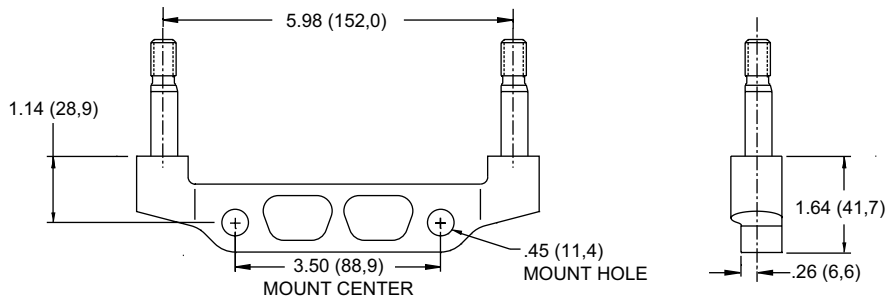
DIMENSION "D1" =
(DISC DIAMETER/2) - 1.61 (40,9)

| DISC WIDTH | "B" MOUNT OFFSET |
|--------------------|------------------|
| .38/.50 (9,7-12,7) | 1.28 (32,5) |
| .81 (20,6) | 1.45 (36,8) |
| 1.00 (25,4) | 1.53 (38,9) |

| DISC DIAMETER | "E" OUTSIDE RADIUS |
|---------------|--------------------|
| 10.75 (273,0) | 6.15 (156,2) |
| 11.75 (298,4) | 6.57 (166,9) |
| 12.19 (309,6) | 6.77 (172,0) |

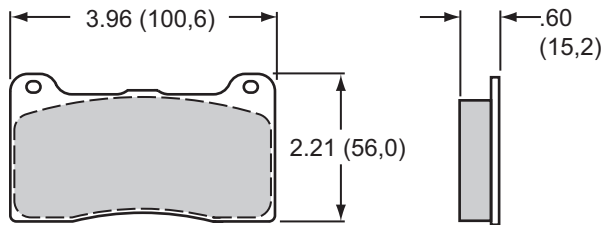
INLET FITTING: 1/8-27 NPT

TYPICAL DYNAPRO RADIAL MOUNTING BRACKET, MOUNTING DIMENSIONS, PART NUMBER 250-6309:



NOTE:
BRACKET KIT INCLUDES
STUDS, LOCKNUTS,
WASHERS AND
ALIGNMENT SHIMS

DYNAPRO CALIPER, TYPE 7816 PAD DIMENSIONS AND ORDERING INFORMATION:



| AXLE SET PART NO. | PAD TYPE/COMPOUND |
|-------------------|-------------------------|
| 15A - 7263K | 7816 A PolyMatrix |
| 15B - 7264K | 7816 B PolyMatrix |
| 15E - 7266K | 7816 E PolyMatrix |
| 15Q - 7268K | 7816 Q PolyMatrix |
| 150 - 8946K | 7816 10 BP-10 Smart Pad |
| 150 - 9419K | 7816 20 BP-20 Smart Pad |
| 150 - 9865K | 7816 30 BP-30 Smart Pad |

ORDERING INFORMATION, USER SERVICEABLE COMPONENTS:

| CALIPER PART NO. | PISTON | SQ RING KIT (4 PK) | BLEED SCREW KIT (4 PK) | DUST BOOT (EA) | BODY SEAL (EA) | BRIDGE WEAR PLATE (EA) | PAR RETAINER CLIP (EA) |
|------------------|------------------|--------------------|------------------------|----------------|----------------|------------------------|------------------------|
| 120-7327 | 200-7320 (1.50") | 130-8372 | 220-6069 | 210-7210 | 210-2582 | 300-5876 | 300-7316 |
| 120-7328 | 200-7320 (1.50") | 130-8372 | 220-6069 | 210-7210 | 210-2582 | 300-5876 | 300-7316 |
| 120-7374 | 200-7318 (1.25") | 130-2479 | 220-6069 | 210-7210 | 210-2582 | 300-5876 | 300-7316 |
| 120-7375 | 200-7318 (1.25") | 130-2479 | 220-6069 | 210-7210 | 210-2582 | 300-5876 | 300-7316 |
| 120-7376 | 200-7319 (1.38") | 130-2658 | 220-6069 | 210-7210 | 210-2582 | 300-5876 | 300-7316 |
| 120-7377 | 200-7319 (1.38") | 130-2658 | 220-6069 | 210-7210 | 210-2582 | 300-5876 | 300-7316 |
| 120-7378 | 200-7321 (1.62") | 130-4346 | 220-6069 | 210-7210 | 210-2582 | 300-5876 | 300-7316 |
| 120-7379 | 200-7321 (1.62") | 130-4346 | 220-6069 | 210-7210 | 210-2582 | 300-5876 | 300-7316 |
| 120-7380 | 200-7322 (1.75") | 130-2655 | 220-6069 | 210-7210 | 210-2582 | 300-5876 | 300-7316 |
| 120-7381 | 200-7322 (1.75") | 130-2655 | 220-6069 | 210-7210 | 210-2582 | 300-5876 | 300-7316 |
| 120-7722 | 200-7320 (1.50") | 130-8372 | 220-6069 | 210-7210 | 210-2582 | 300-5876 | 300-7315 |
| 120-7723 | 200-7318 (1.25") | 130-2479 | 220-6069 | 210-7210 | 210-2582 | 300-5876 | 300-7315 |
| 120-7724 | 200-7319 (1.38") | 130-2658 | 220-6069 | 210-7210 | 210-2582 | 300-5876 | 300-7315 |
| 120-7725 | 200-7321 (1.62") | 130-4346 | 220-6069 | 210-7210 | 210-2582 | 300-5876 | 300-7315 |
| 120-7726 | 200-7322 (1.75") | 130-2655 | 220-6069 | 210-7210 | 210-2582 | 300-5876 | 300-7315 |
| 120-8534 | 200-7514 (1.25") | 130-2479 | 220-6069 | — | 210-2582 | 300-5876 | 300-7316 |
| 120-8535 | 200-7514 (1.25") | 130-2479 | 220-6069 | — | 210-2582 | 300-5876 | 300-7316 |
| 120-8536 | 200-7514 (1.25") | 130-2479 | 220-6069 | — | 210-2582 | 300-5876 | 300-7316 |
| 120-8537 | 200-7516 (1.38") | 130-2658 | 220-6069 | — | 210-2582 | 300-5876 | 300-7315 |
| 120-8538 | 200-7516 (1.38") | 130-2658 | 220-6069 | — | 210-2582 | 300-5876 | 300-7316 |
| 120-8539 | 200-7516 (1.38") | 130-2658 | 220-6069 | — | 210-2582 | 300-5876 | 300-7316 |
| 120-8540 | 200-7519 (1.62") | 130-4346 | 220-6069 | — | 210-2582 | 300-5876 | 300-7315 |
| 120-8541 | 200-7519 (1.62") | 130-4346 | 220-6069 | — | 210-2582 | 300-5876 | 300-7316 |
| 120-8542 | 200-7519 (1.62") | 130-4346 | 220-6069 | — | 210-2582 | 300-5876 | 300-7316 |
| 120-8543 | 200-7531 (1.75") | 130-2655 | 220-6069 | — | 210-2582 | 300-5876 | 300-7315 |
| 120-8544 | 200-7531 (1.75") | 130-2655 | 220-6069 | — | 210-2582 | 300-5876 | 300-7316 |
| 120-8545 | 200-7531 (1.75") | 130-2655 | 220-6069 | — | 210-2582 | 300-5876 | 300-7316 |