

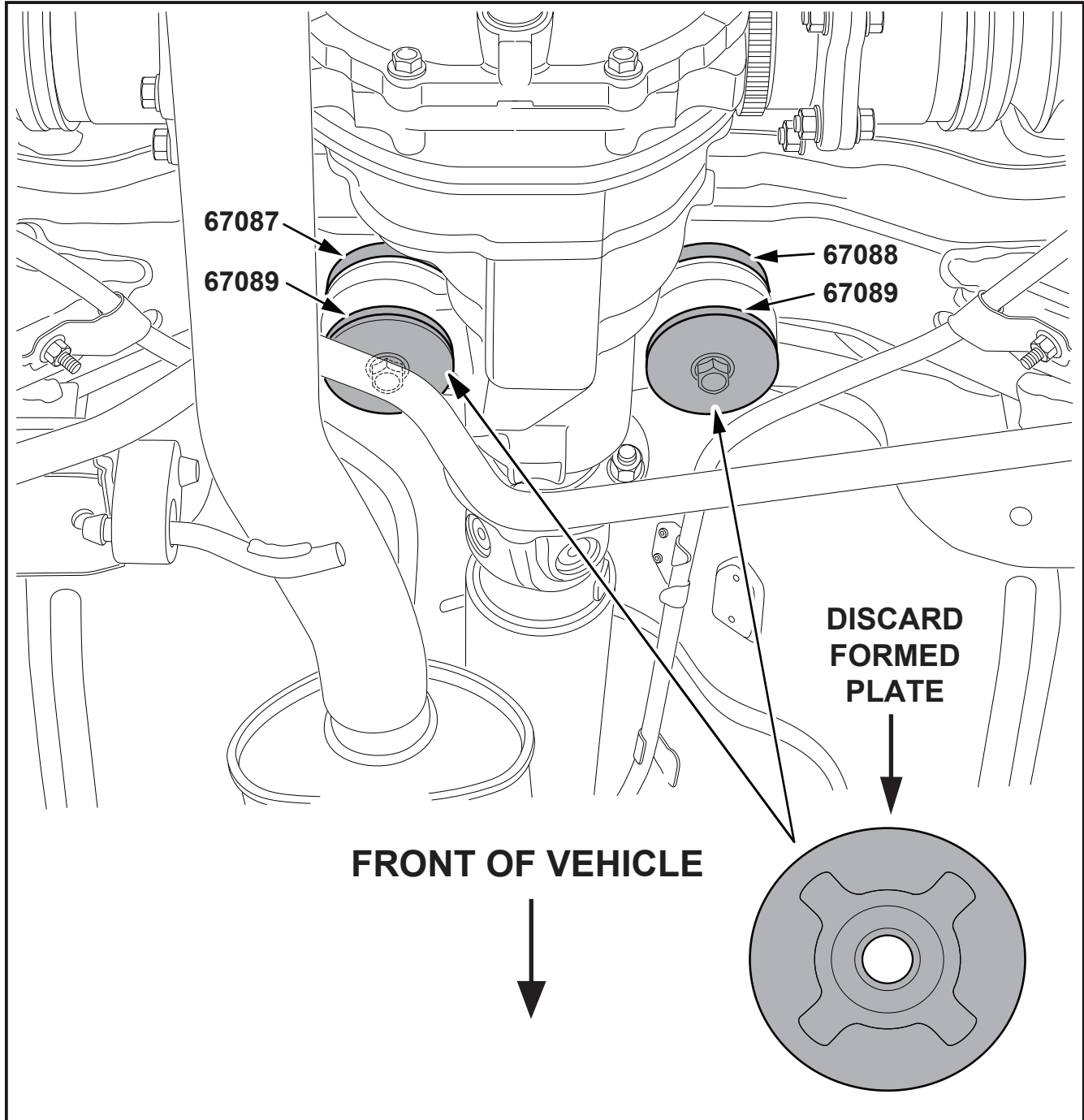
Installation Guide

Differential Positive Power Kit

Suits: Nissan 350Z G35 '03 on

(Always refer to the current catalogue for complete application listings)

N.B: These instructions should be used in conjunction with the workshop manual



NOTE: REMOVE FORMED PLATE (REFER DIAGRAM) FROM UNDER LARGE WASHERS INDICATED AND DISCARD.

NOTE: RE-USE LARGE FLAT WASHERS.

N.B: It is recommended that a licenced workshop or trades person carry out the above procedure and that workshop manual and relevant safety procedures are followed in addition to the above.