

Installation Guide

Z 5118

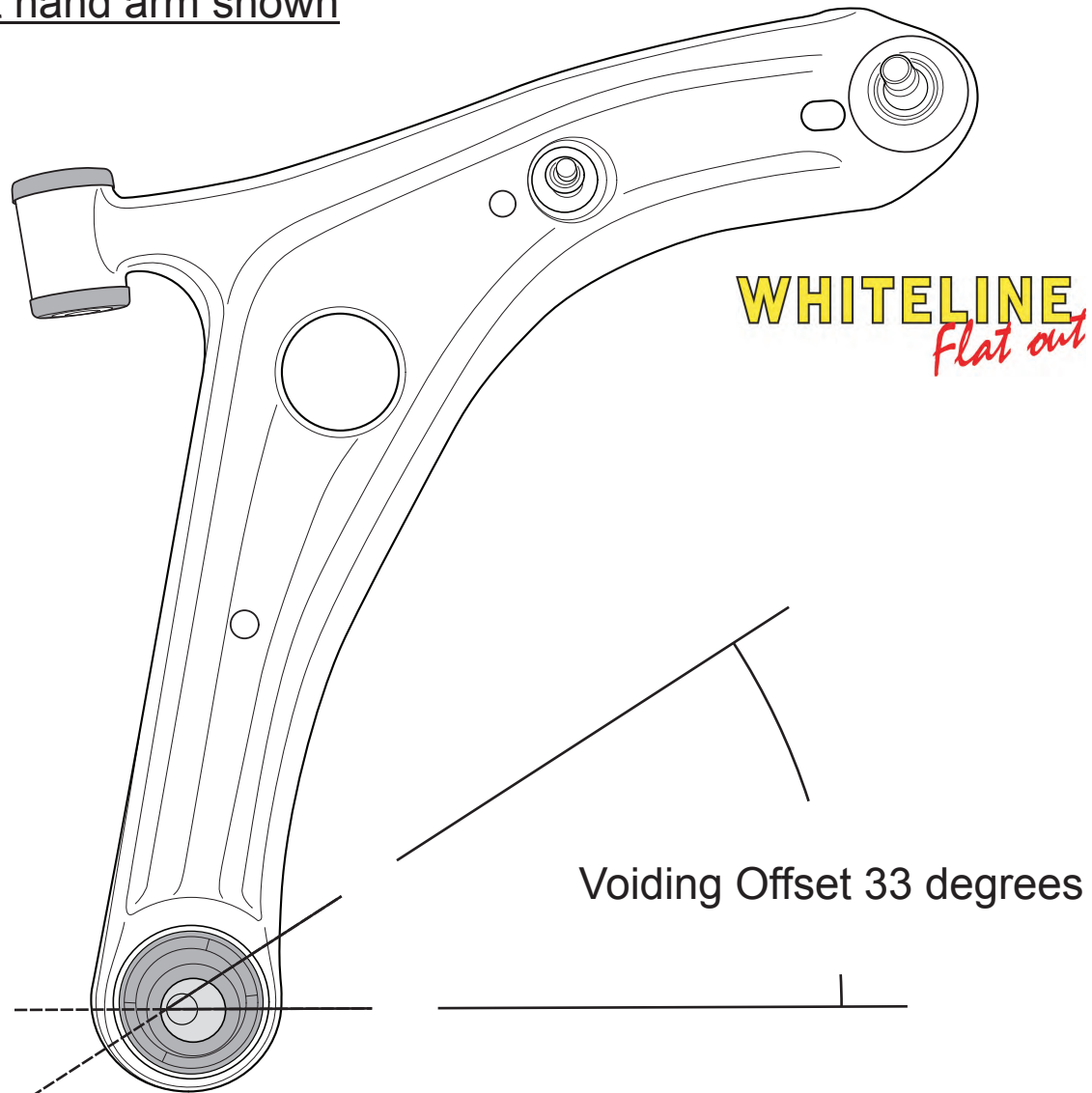
Front Lower Control Arm Rear Bush Offset/Std

Suits: T oyota Echo

(Always refer to the current catalogue for complete application listings)

N.B: This installation guide should be used in conjunction with the workshop manual.

Right hand arm shown



- * Before removal of the oe bush take note of the positioning of the voiding so that the supplied 67161 bush can be installed with the same voiding orientation.
- * For kits supplied with offset tubes, maximum positive caster gain can be reached by installing the tube into the bush so that the through bolt hole faces inward.
- * Apply liberal amounts of grease to the inside of the bush and flange faces before installing the arm back into the vehicle.

N.B: It is recommended that a licenced workshop or trades person carry out the above procedure and that workshop manual and relevant safety procedures are followed in addition to the above.