

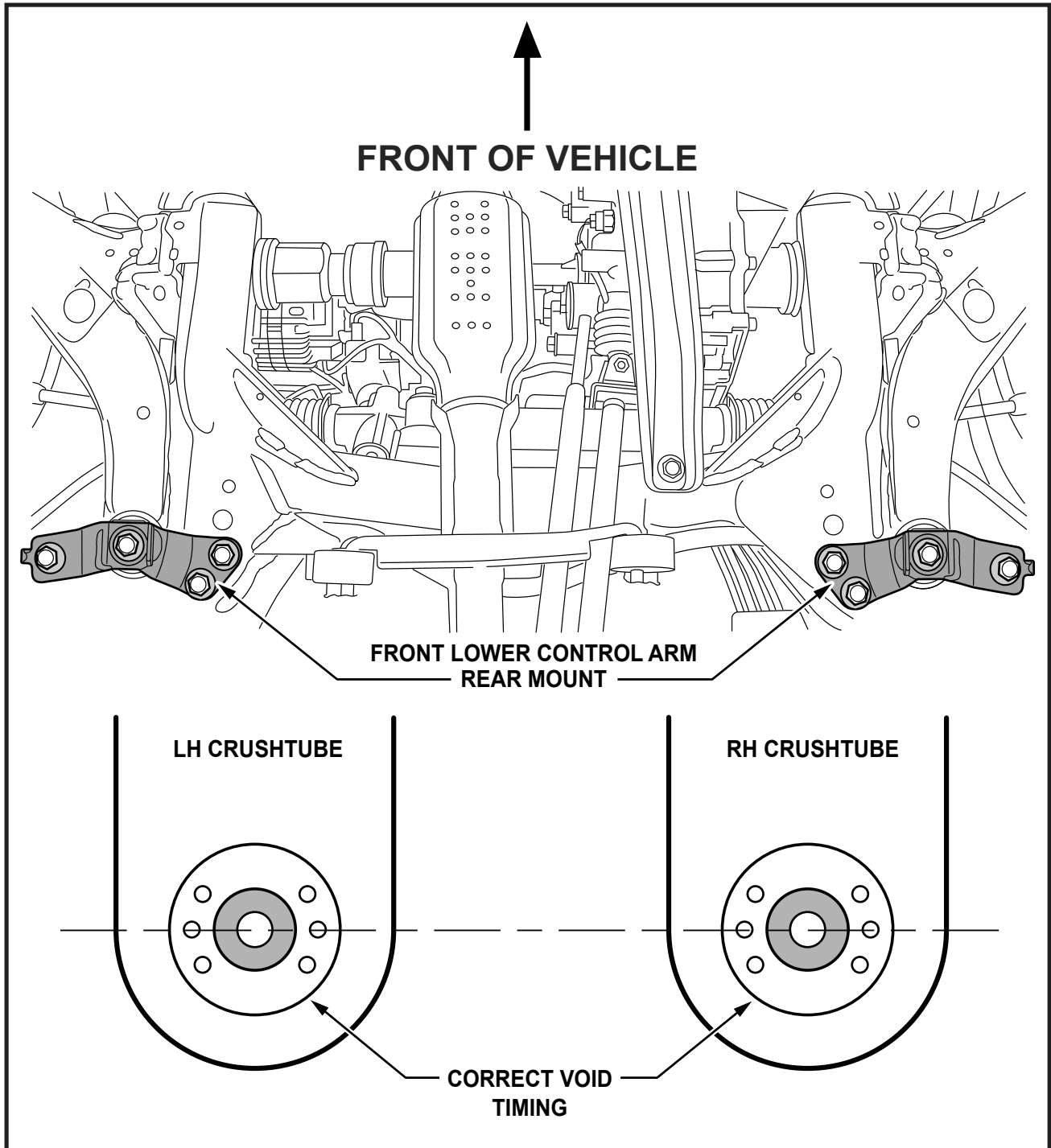
Installation Guide

Front Lower Control Arm Rear Bush

Suits: Laser KN/KQ 11/98 - 08/02
323 BJ - 09/98 - 12/03

(Always refer to the current catalogue for complete application listings)

N.B: These instructions should be used in conjunction with the workshop manual.



N.B: It is recommended that a licenced workshop or trades person carry out the above procedure and that workshop manual and relevant safety procedures are followed in addition to the above.