

## Steering Rack Mount

Suits: VW Golf Mk5 R32 AWD

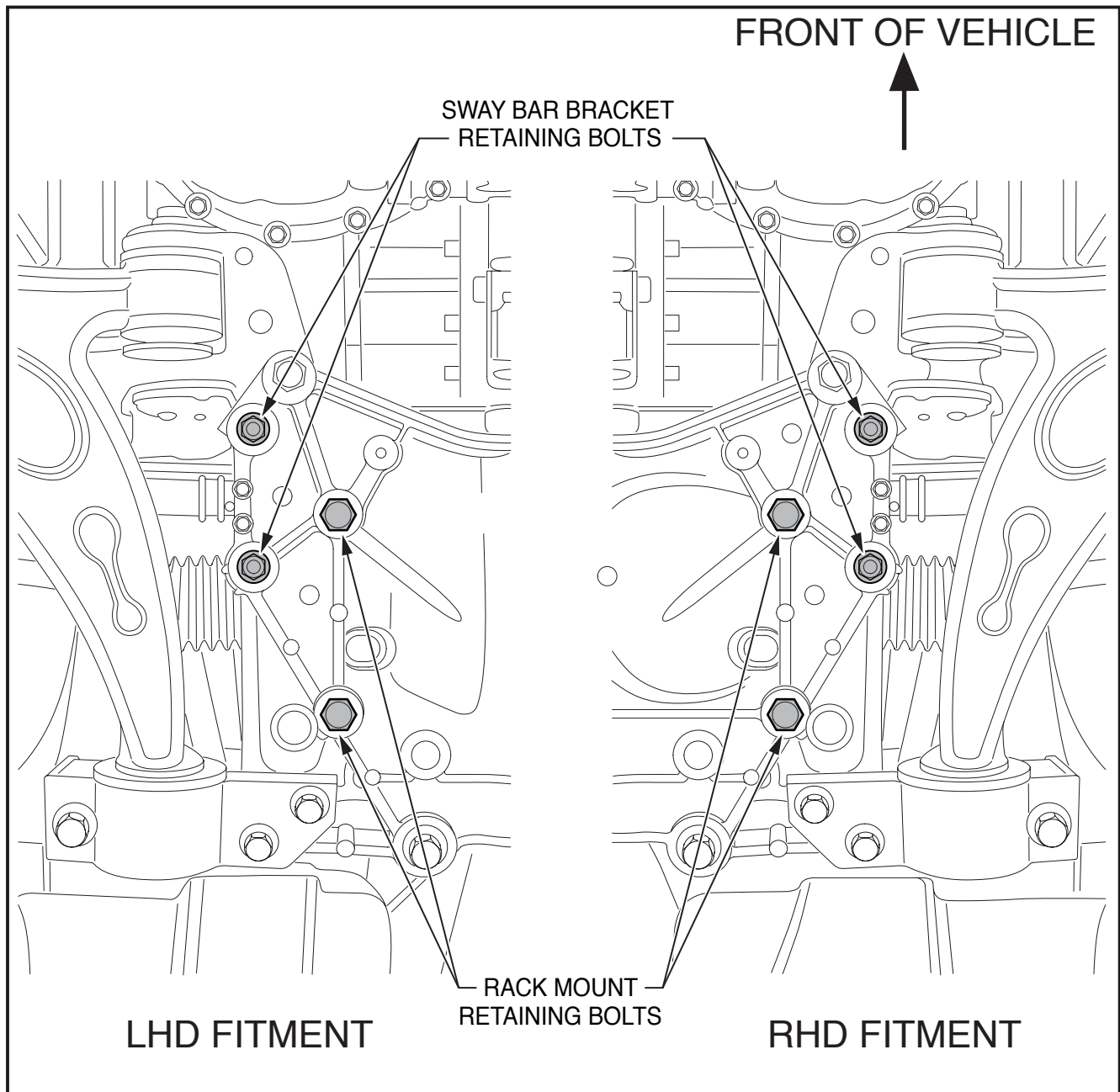
(Always refer to the current catalogue for complete application listings)

N.B: These instructions should be used in conjunction with the workshop manual.

Remove vertical retaining bolts as noted below.

Remove and replace rack mount from side of the subframe

Refit vertical retaining bolts and tension to manufacturers specifications



N.B: It is recommended that a licenced workshop or trades person carry out the above procedure and that workshop manual and relevant safety procedures are followed in addition to the above.